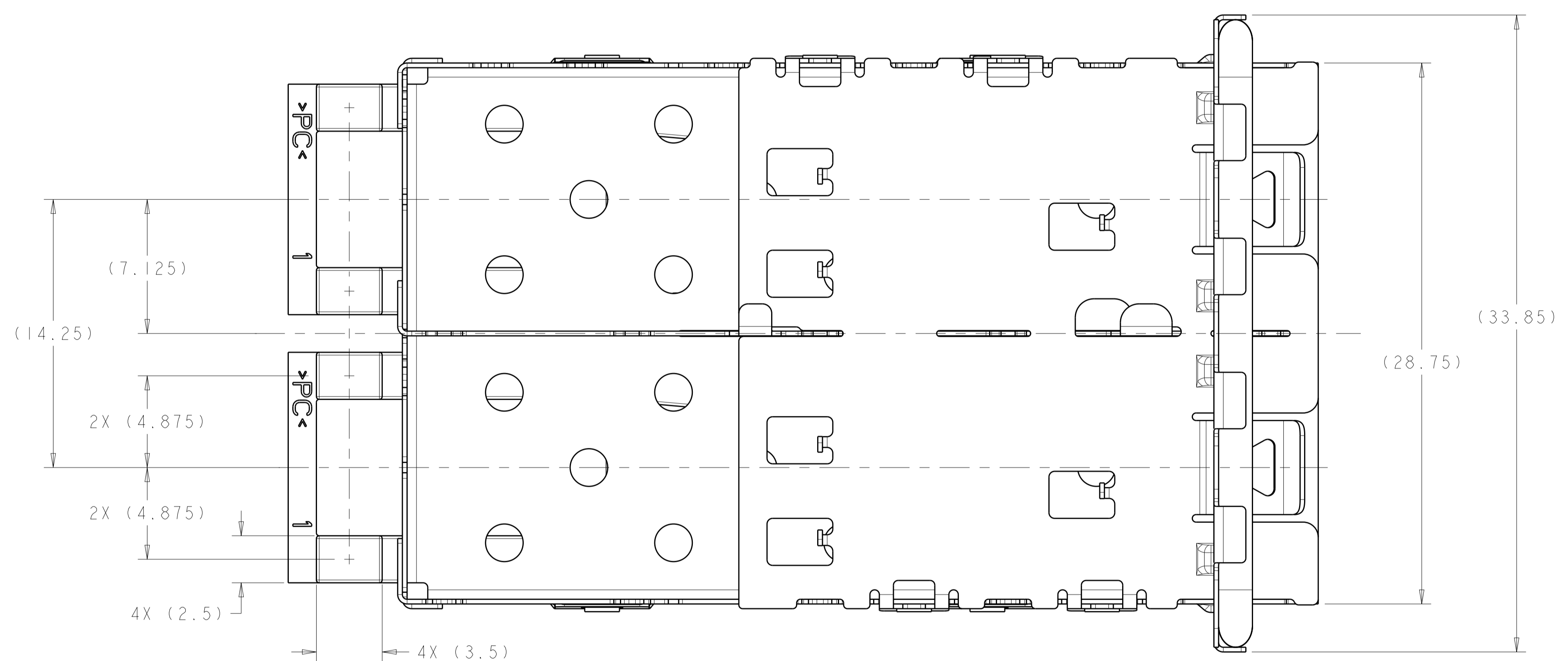
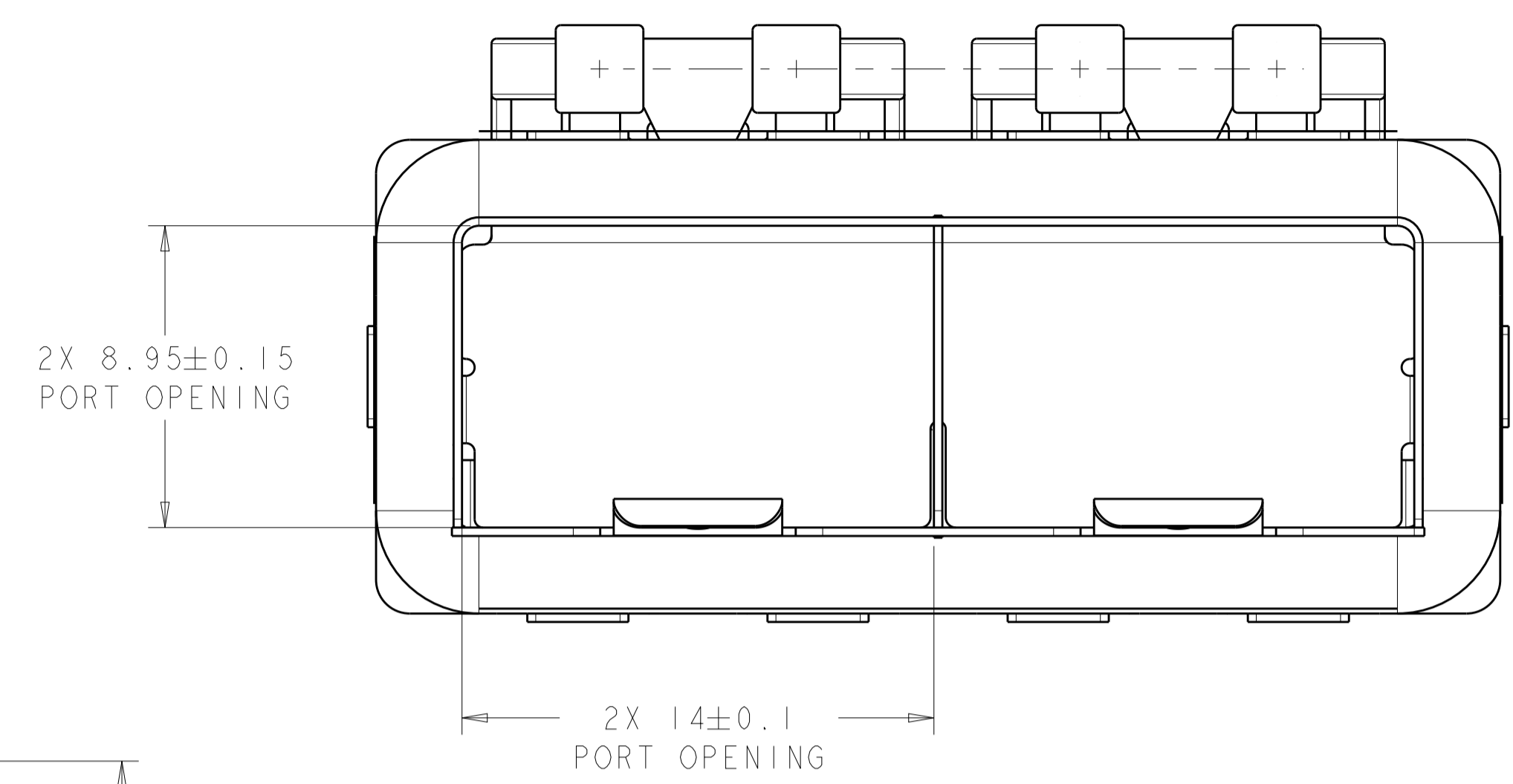
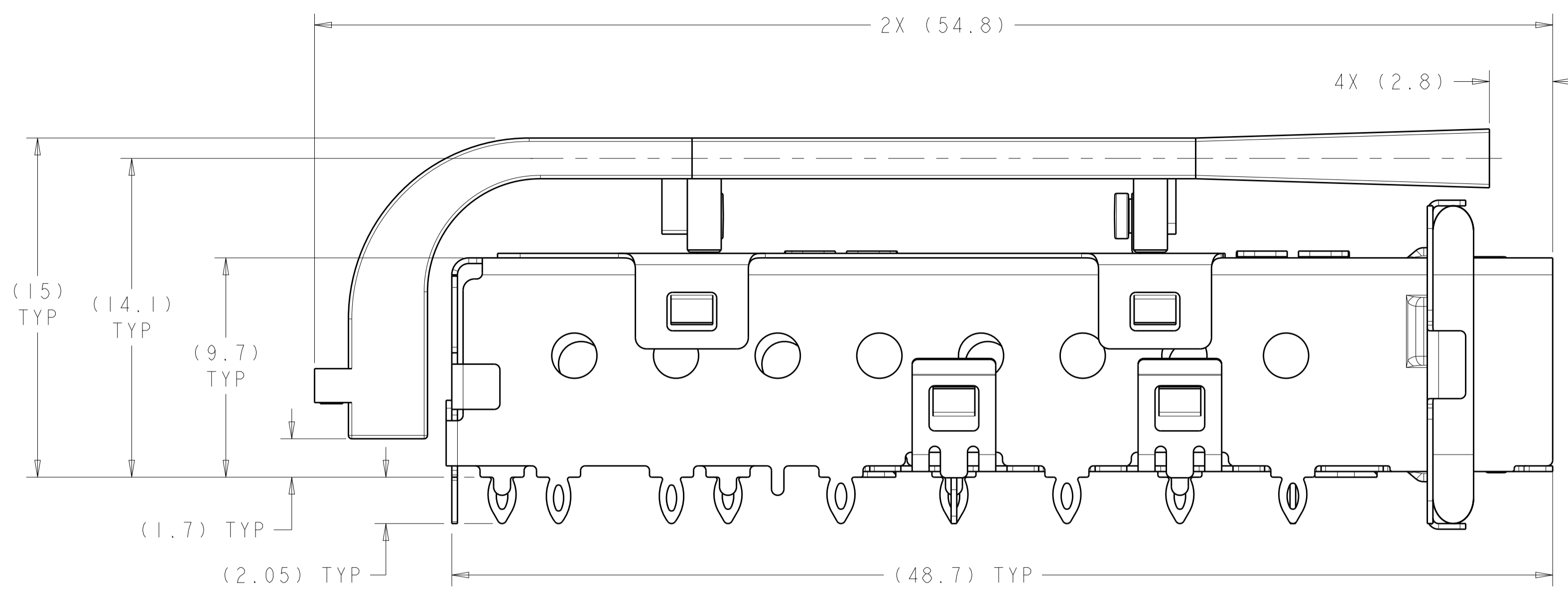
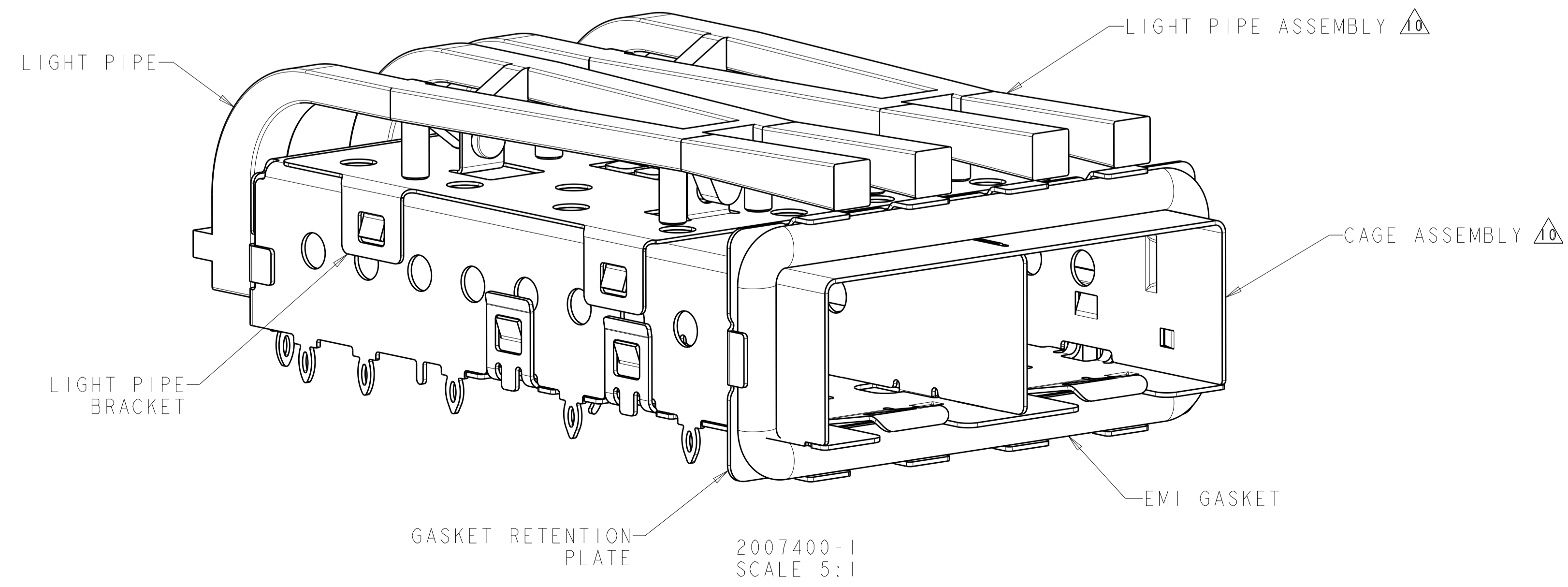


| LOC | DIST | REVISIONS |     |                           |           |     |      |
|-----|------|-----------|-----|---------------------------|-----------|-----|------|
| GP  | 00   | P         | LTN | DESCRIPTION               | DATE      | DMN | APVD |
|     |      | B         |     | REVISED PER ECO-09-022874 | 9OCT2009  | ZMR | MRS  |
|     |      | C         |     | REVISED PER ECO-10-004036 | 91MAR2010 | CJV | MRS  |
|     |      | D         |     | REVISED PER ECO-12-014021 | 10DEC2012 | TD  | AC   |



- 1 MATERIAL:  
 CAGE ASSEMBLY: 0.25mm THICK NICKEL SILVER ALLOY  
 GASKET RETENTION PLATE: STAINLESS STEEL  
 EMI GASKET: PLATED FILLED SILICONE  
 LIGHT PIPE BRACKET: STAINLESS STEEL  
 LIGHT PIPE: POLYCARBONATE, CLEAR
- 2 DATUM AND BASIC DIMENSION ESTABLISHED BY CUSTOMER.
- 3. MATES WITH SFP MSA COMPLIANT TRANSCEIVERS.
- 4 PADS AND VIAS CHASSIS GROUND.
- 5. INTERPRETATION OF DATUM REFERENCE FRAME IN ACCORDANCE WITH SECT 4.4.1.1 OF ASME Y14.5M-1994.
- 6 MINIMUM PC BOARD THICKNESS: = 1.50mm.
- 7 HOLE PATTERN REPEATS FOR EACH PORT. SPACING BETWEEN PORTS IS 14.25mm.
- 8 REFERENCE APPLICATION SPEC. 114-13120, HOLE A, FOR RECOMMENDED DRILL HOLE DIAMETER AND PLATING THICKNESS.
- 9 REFERENCE APPLICATION SPEC. 114-13120, HOLE B, FOR RECOMMENDED DRILL HOLE DIAMETER AND PLATING THICKNESS.
- 10 LIGHT PIPE ASSEMBLY SHIPPED UNASSEMBLED TO CAGE ASSEMBLY. CAGE ASSEMBLY TO BE PRESSED INTO THE PCB PRIOR TO ATTACHING THE LIGHT PIPE ASSEMBLY TO THE CAGE.
- 11. PRODUCT COMPLIES WITH SPECIFICATION SFF-8433 IMPROVED PLUGGABLE FORM FACTOR FOR SFP+ GANGED CAGES.



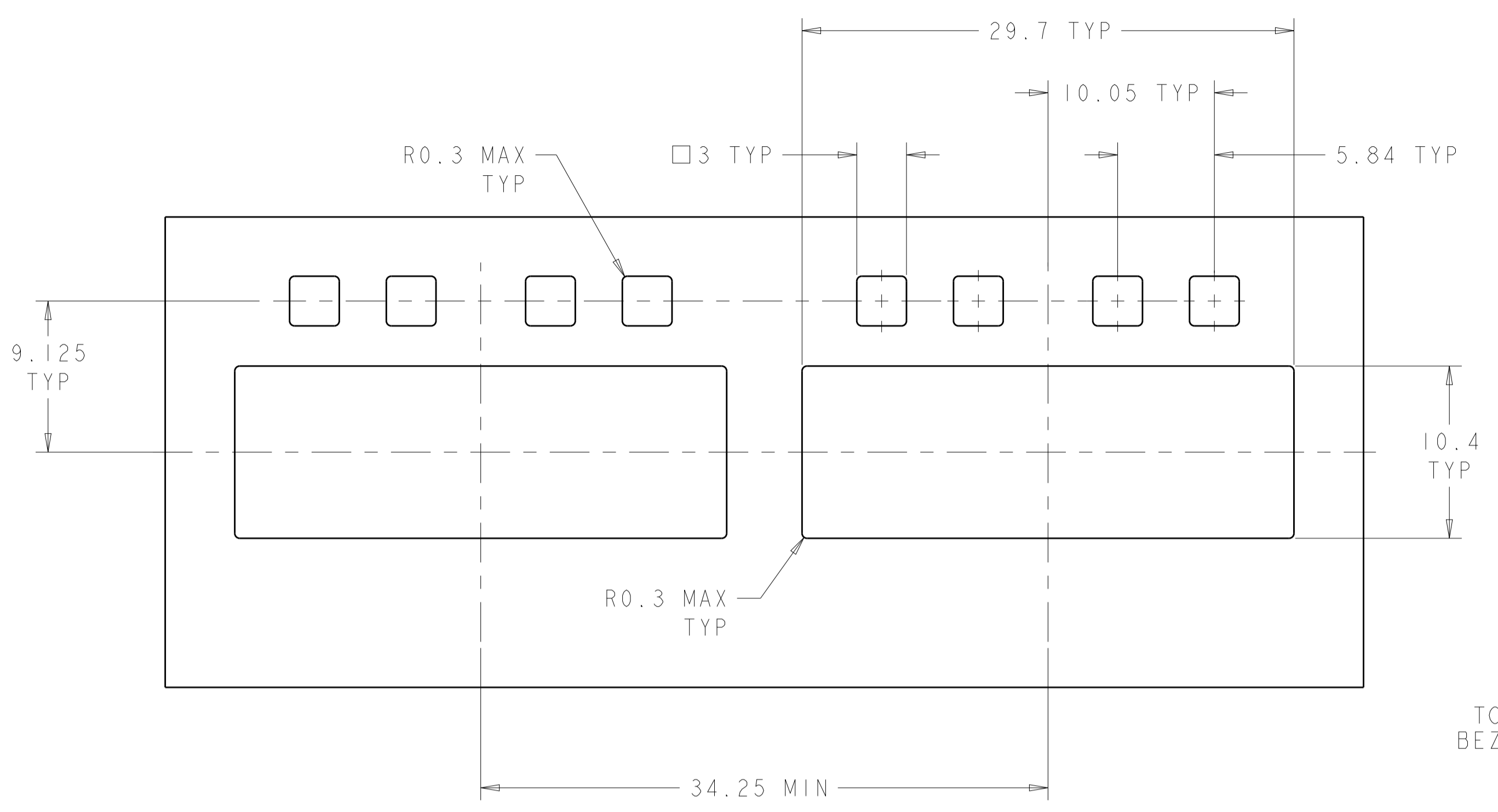
2007400-1  
 PART NUMBER

|                       |  |  |  |   |  |  |  |
|-----------------------|--|--|--|---|--|--|--|
| DIMENSIONS:<br>mm<br> |  | TOLERANCES UNLESS OTHERWISE SPECIFIED:<br>0 PLC ±0.1<br>1 PLC ±0.1<br>2 PLC ±0.1<br>3 PLC ±0.1<br>4 PLC ±0.1<br>ANGLES ±1° |  | DWN Z.M.REAM 26OCT2007<br>CHK M.R.SCHMITT 26OCT2007<br>APVD B.H.WERTZ 26OCT2007 |  | Tyco Electronics<br>Harrisburg, PA 17105-3608  |  |
| MATERIAL<br>          |  | FINISH<br>-  |  | PRODUCT SPEC<br>108-2364  |  | NAME<br>SFP+ 1X2 CAGE ASSEMBLY<br>PRESS FIT, EMI GASKET, W/<br>REDUCED LENGTH SQUARE LIGHT PIPES |  |
| WEIGHT<br>-           |  | APPLICATION SPEC<br>114-13120  |  | SIZE<br>A 00779 C=2007400   |  | RESTRICTED TO<br>-   |  |
| Customer Drawing      |  |  |  | SCALE 6:1   |  | SHEET 1 OF 3 REV D   |  |

| LOC | DIST | REV | DATE | BY | APPV |
|-----|------|-----|------|----|------|
| GP  | 00   |     |      |    |      |

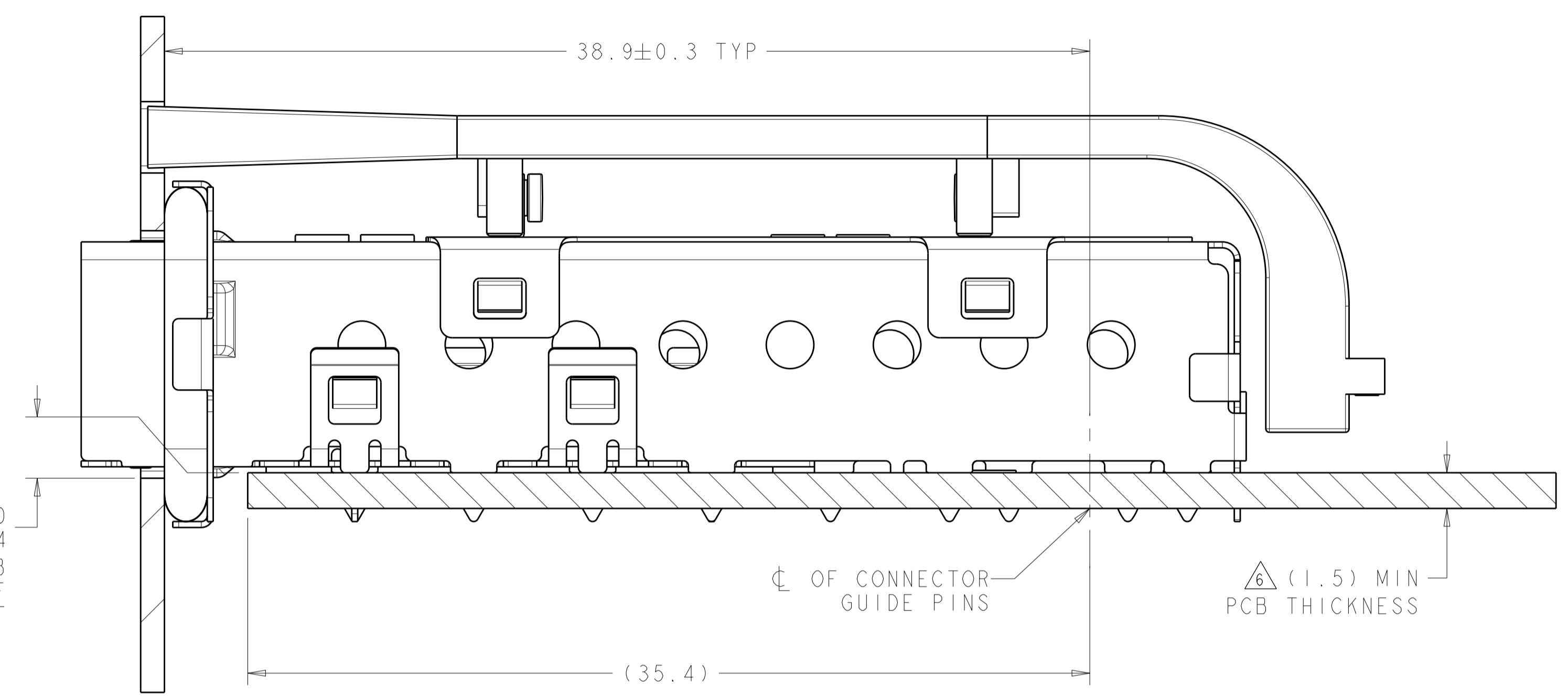
  

| REVISIONS |             |      |    |
|-----------|-------------|------|----|
| NO.       | DESCRIPTION | DATE | BY |
| -         | SEE SHEET 1 | -    | -  |

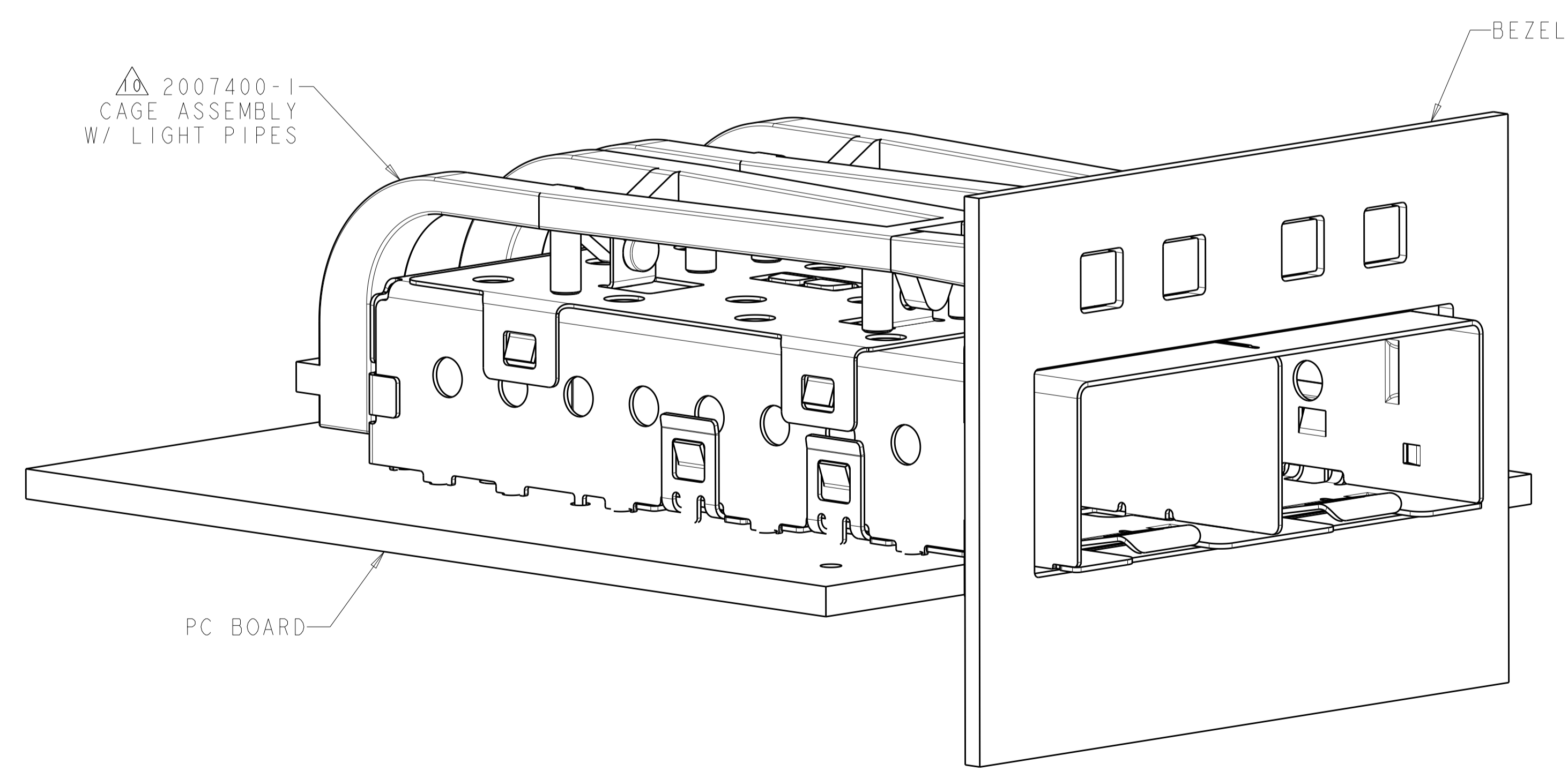


RECOMMENDED BEZEL CUTOUT  
 SCALE 4:1

0.23<sup>+0.10</sup><sub>-0.14</sub>  
 TOP OF PCB  
 TO INSIDE OF  
 BEZEL CUT-OUT



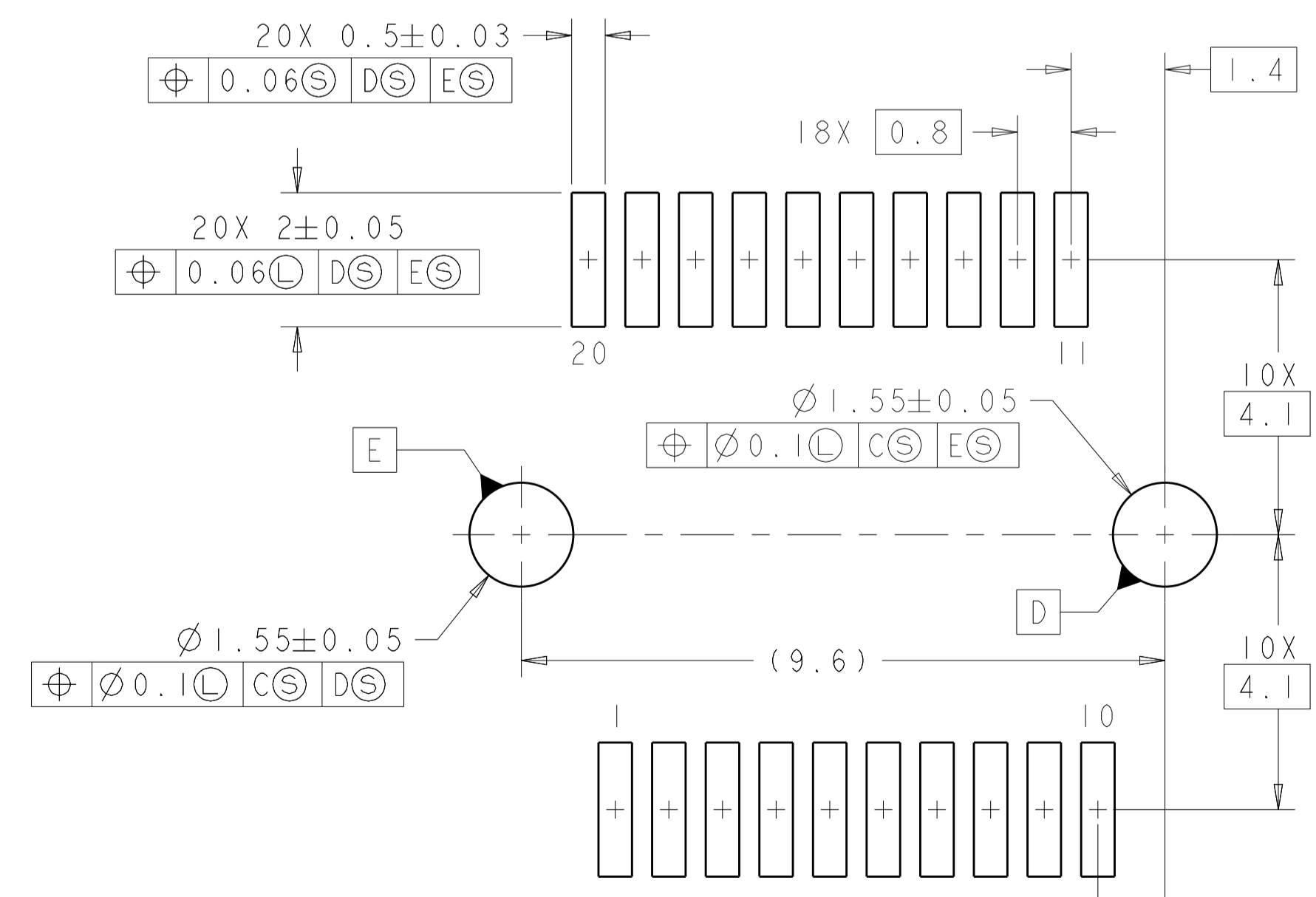
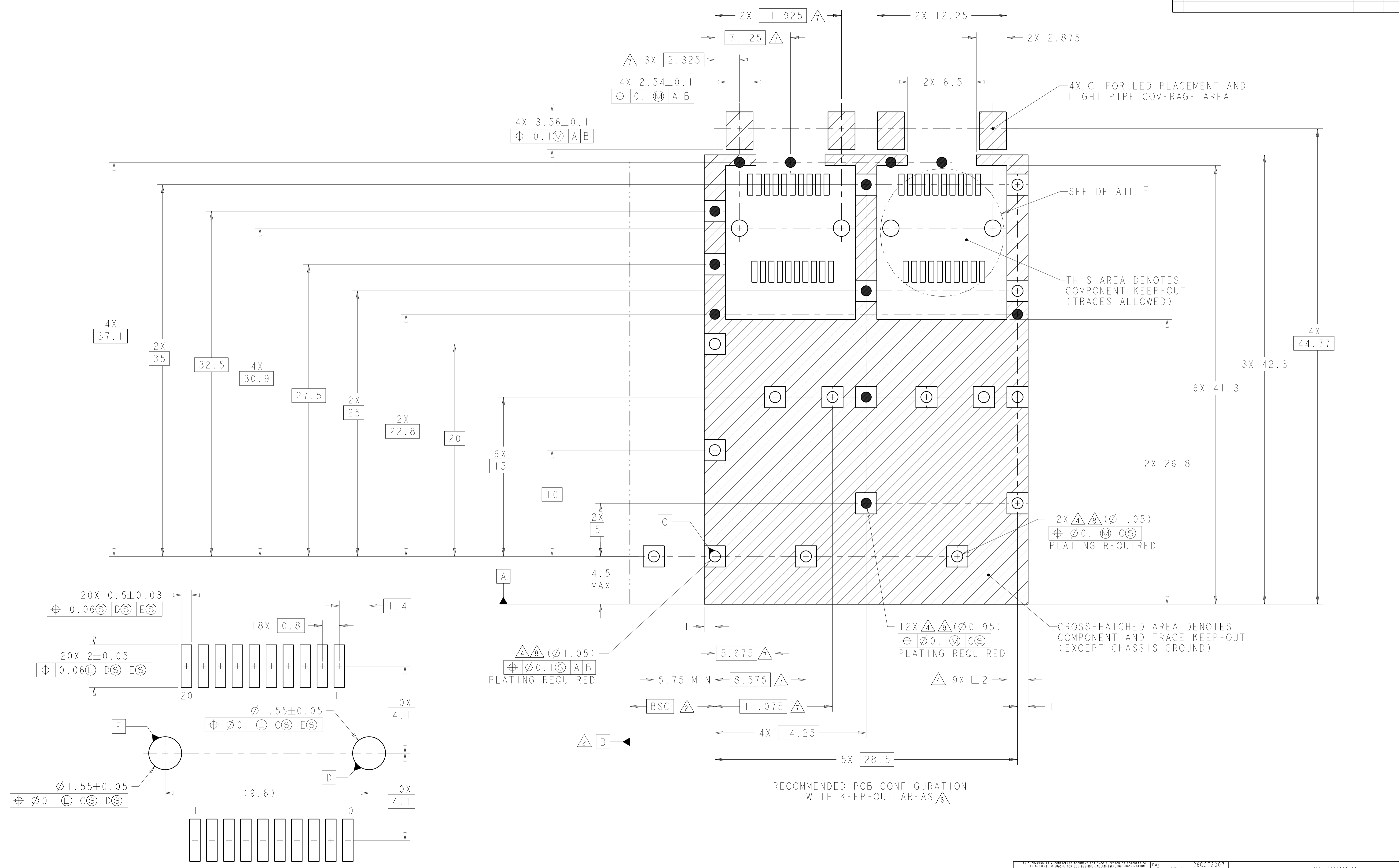
2007400-1  
 MOUNTED ON PCB SHOWN  
 THRU RECOMMENDED BEZEL



2007400-1  
 MOUNTED ON PCB SHOWN  
 THRU RECOMMENDED BEZEL  
 SCALE 5:1

|  |  |   |   |
|--|--|---|---|
| <small>THIS DRAWING IS UNPUBLISHED. RELEASED FOR PUBLICATION BY TYCO ELECTRONICS CORPORATION. ALL RIGHTS RESERVED.</small> |  | DWN: Z.M. REAM 26OCT2007<br>CHK: M.R. SCHMITT 26OCT2007<br>APPV: R.H. WERTZ 26OCT2007 | Tyco Electronics<br>Harrisburg, PA 17105-3608   |
| DIMENSIONS:<br>mm  | TOLERANCES UNLESS OTHERWISE SPECIFIED:<br>0 PLC ±0.1<br>1 PLC ±0.1<br>2 PLC ±0.1<br>3 PLC ±0.1<br>4 PLC ±0.1<br>ANGLES ±1° | PRODUCT SPEC: 108-2364<br>APPLICATION SPEC: 114-13120                                 | NAME: SFP+ 1X2 CAGE ASSEMBLY PRESS FIT, EMI GASKET, W/ REDUCED LENGTH SQUARE LIGHT PIPES<br>SIZE: A1<br>CAGE CODE: 00779<br>DRAWING NO: 2007400 |
| MATERIAL:  | FINISH:  | WEIGHT:   | RESTRICTED TO:  |
|  |  |   |   |
| Customer Drawing   |  | SCALE: 6:1  | SHEET 2 OF 3 REV D  |

| LOC       | DIST | REV | DATE | BY | APPV |
|-----------|------|-----|------|----|------|
| GP        | 00   |     |      |    |      |
| REVISIONS |      |     |      |    |      |
|           |      |     |      |    |      |
|           |      |     |      |    |      |



DETAIL F  
 RECOMMENDED PT CONNECTOR LAYOUT  
 2X INDIVIDUALLY  
 SCALE 12:1

|                       |  |  |  |  |  |   |  |
|-----------------------|--|--|--|--|--|---|--|
| DIMENSIONS:<br>mm<br> |  | TOLERANCES UNLESS OTHERWISE SPECIFIED:<br>0 PLC ±0.1<br>1 PLC ±0.1<br>2 PLC ±0.1<br>3 PLC ±0.1<br>4 PLC ±0.1<br>ANGLES ±1° |  | DWN Z.M. REAM 26OCT2007<br>CHK M.R. SCHMITT 26OCT2007<br>APVD B.H. WERTZ 26OCT2007               |  | Tyco Electronics<br>Harrisburg, PA 17105-3608 |  |
| MATERIAL<br>FINISH    |  | WEIGHT<br>114-13120  |  | NAME<br>SFP+ 1X2 CAGE ASSEMBLY<br>PRESS FIT, EMI GASKET, W/<br>REDUCED LENGTH SQUARE LIGHT PIPES |  | SIZE<br>A1 00779 C=2007400                    |  |
| Customer Drawing      |  |  |  | SCALE 6:1  |  | SHEET 3 OF 3 REV D                            |  |