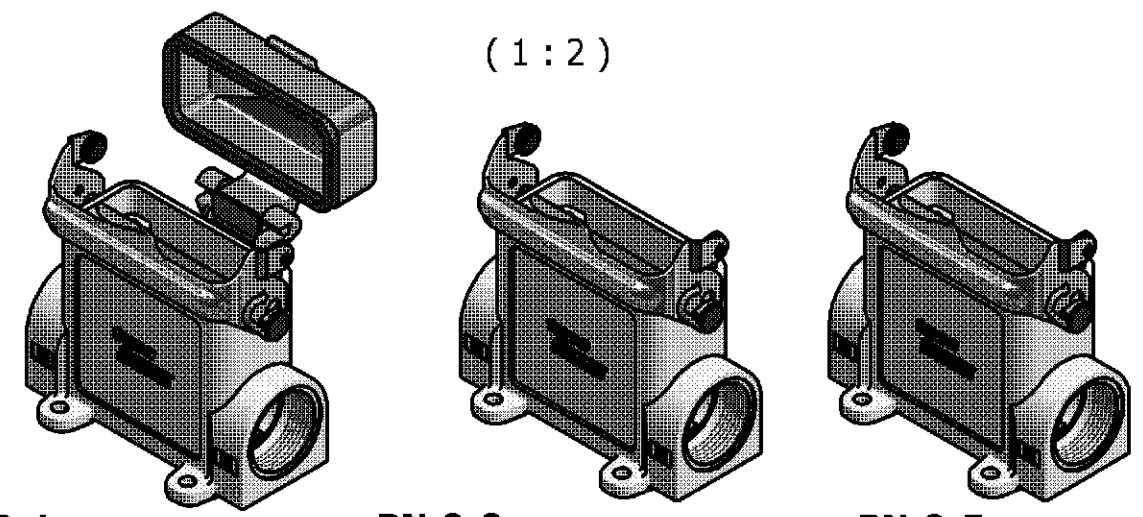
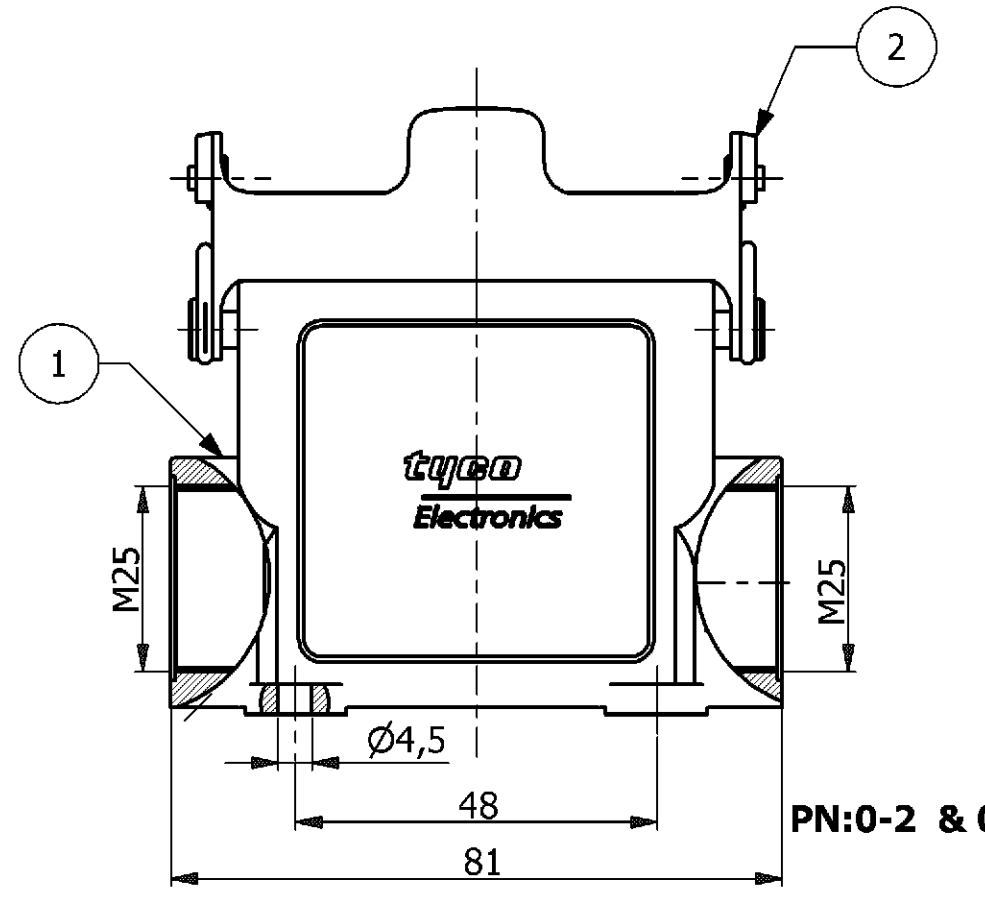
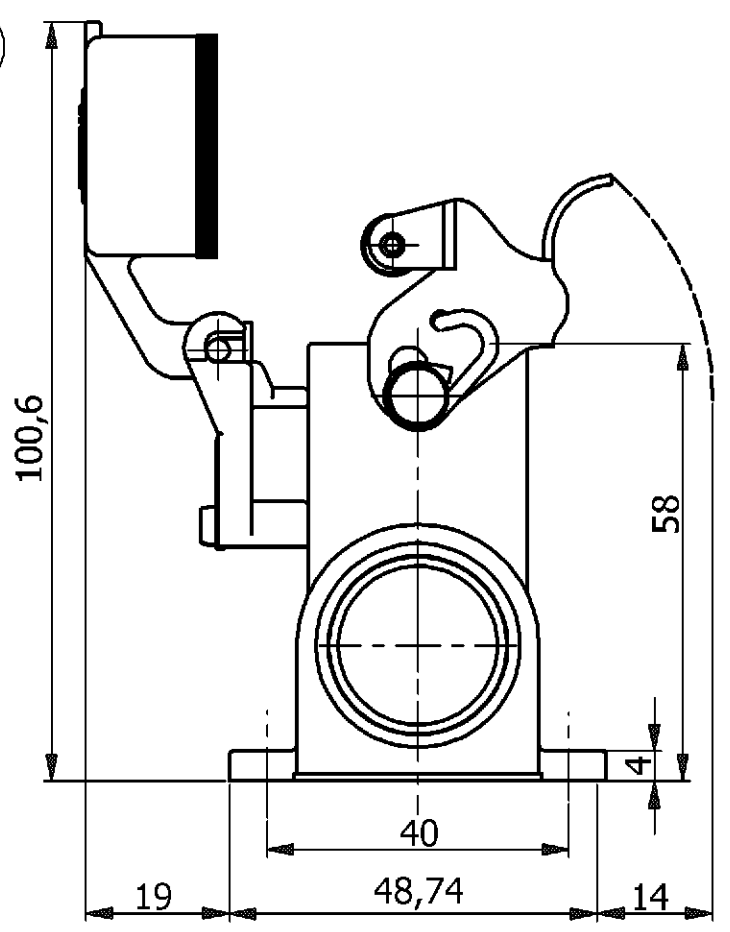
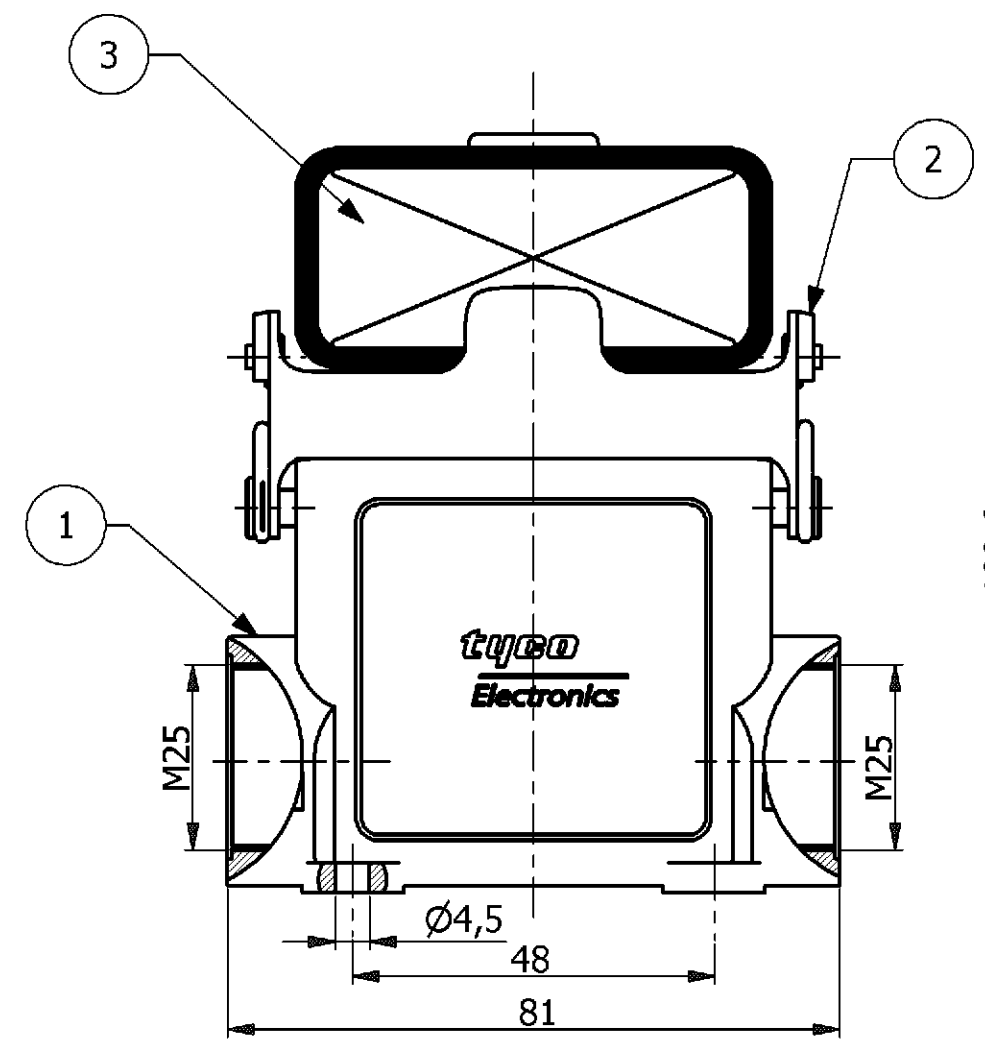


### NOTES

- 1 PACKAGING QUANTITY: 5 PIECES PER BOX
- △ MATERIAL: HOUSING: ALUMINIUM DIE CAST ALLOY
- △ SURFACE: VARNISH GREY
- 4 VARNISH ON THE INSIDE NOT NECESSARY
- △ SPECIAL PACKING



PN:0-1 as shown

**PN:0-1**  
Ordering Text:  
**HD.15.SGD-LB 2 M25.Z**

**PN:0-2**  
Ordering Text:  
**HD.15.SG-LB 2 M25.Z**

**PN:0-5**  
Ordering Text:  
**HD.15.SG-LB 2 M25.Z.KM** △ 5

PN:0-2 & 0-5 as shown

-	-	1	Cover	Aluminium	-	Grey	3	-
1	1	1	Clip	Steel	Zinc Plated	Blue	2	-
1	1	1	Surface Mounting Housing- Side Entry,HD	Aluminium	-	Grey	1	-
0-5	0-2	0-1		<b>MATERIAL</b>	<b>SURFACE</b>	<b>COLOR</b>	<b>ITEM NO.</b>	<b>REMARKS</b>

THIS DRAWING IS A CONTROLLED DOCUMENT FOR AMP INCORPORATED. IT IS SUBJECT TO CHANGE AND THE CONTROLLING ENGINEERING ORGANIZATION SHOULD BE CONTACTED FOR THE LATEST REVISION. DIESSES ZEICHNUNGSDOKUMENT WIRD DURCH AMP INCORPORATED KONTROLLIERT. ÄNDERUNGEN, DIE DEM TECHNISCHEN FORTSCHRITT DIENEN, SIND VORBEHALTEN. DEN JEWELIGS LETZTGÜLTIGEN ÄNDERUNGSSTAND ANFRAGEN SIE AUF ANFRAGE.		DWN R.SRINIVAS 4/25/2006	<b>tyco</b> Electronics		Tyco / Electronics AMP GmbH D - 53819 Neunkirchen, Germany	
DIMENSIONS: DIMENSIONEN: mm	TOLERANCES UNLESS OTHERWISE SPECIFIED: ALLGEMEINTOLERANZEN	CHK R.SRINIVAS 4/25/2006	<b>DESCRIPTION</b>			
	n. ISO 8015 - n. ISO 2768 - mH-E n. DIN 16901- 140	APVD T.SCHNURPFEIL 4/25/2006	NAME			
		PRODUCT SPEC. PRODUKTSPEZ. 108-74009	SURFACE MOUNTED HOUSING-SIDE ENTRY HD.15.SG/SGD-LB.2.M25.Z			
		APPLICATION SPEC. VERARBEITUNGSSPEZ. 114-74004	SIZE	CAGE CODE	DRAWING NO ZEICHNUNGS-NR.	RESTRICTED TO NUR FUER
MATERIAL △ 2		FINISH / OBERFLÄCHE / FARBE △ 3		A3	00779	1106413
CUSTOMER DRAWING / KUNDENZEICHNUNG			SCALE MASSSTAB	1:1	SHEET BLATT	1 OF VON 1
			REV.	B1		