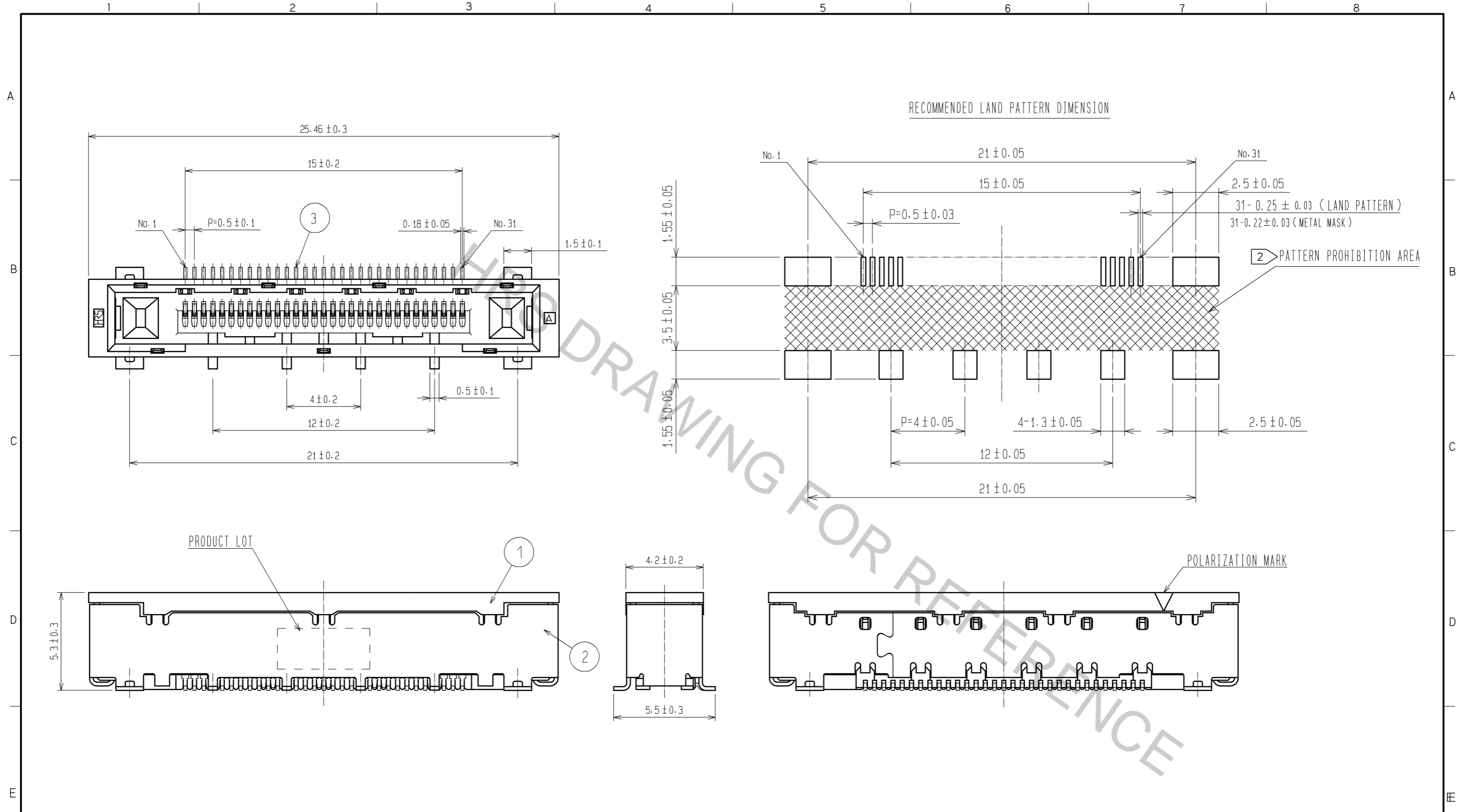


Apr.1.2017 Copyright 2017 HIROSE ELECTRIC CO., LTD. All Rights Reserved.

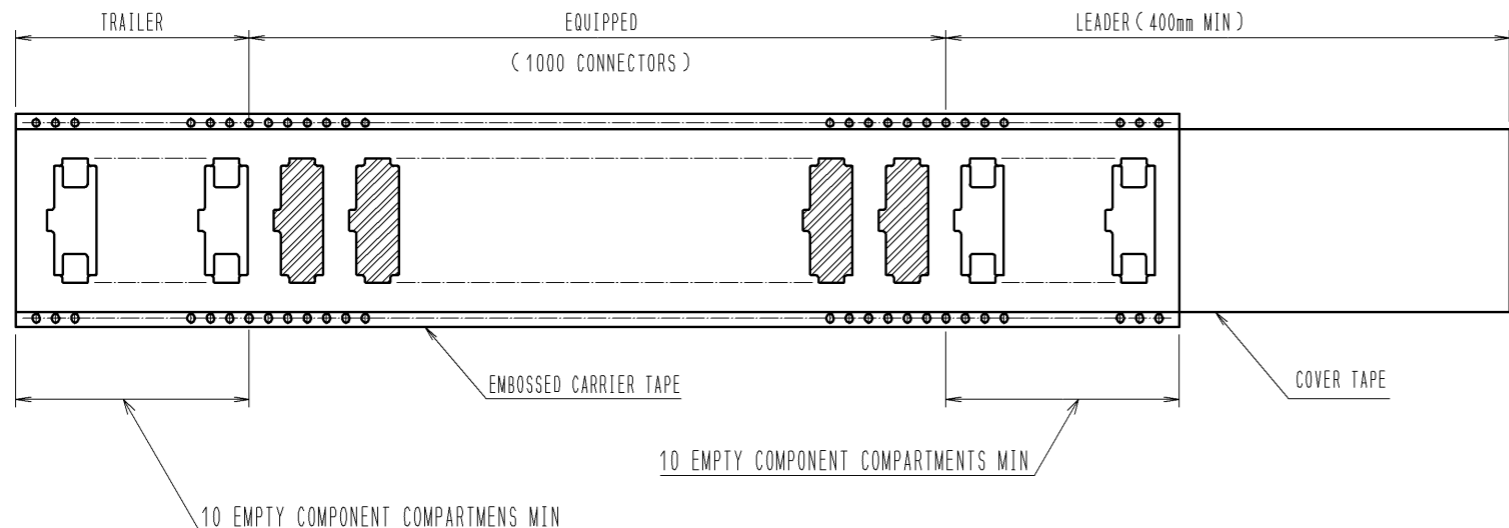
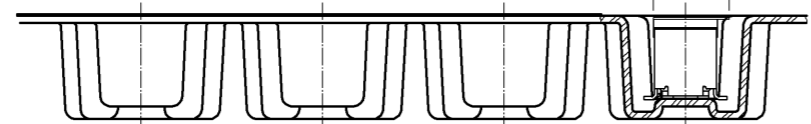
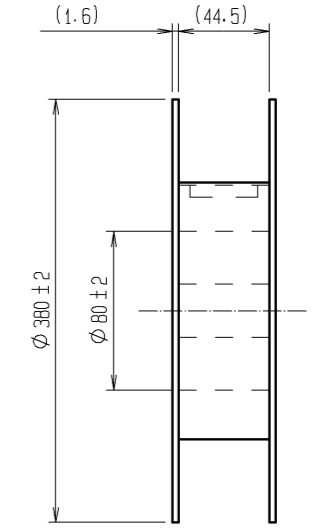
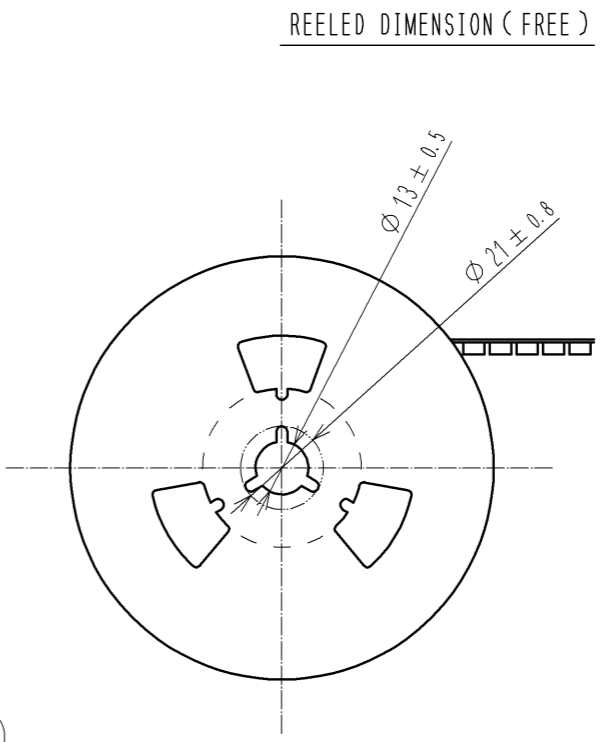
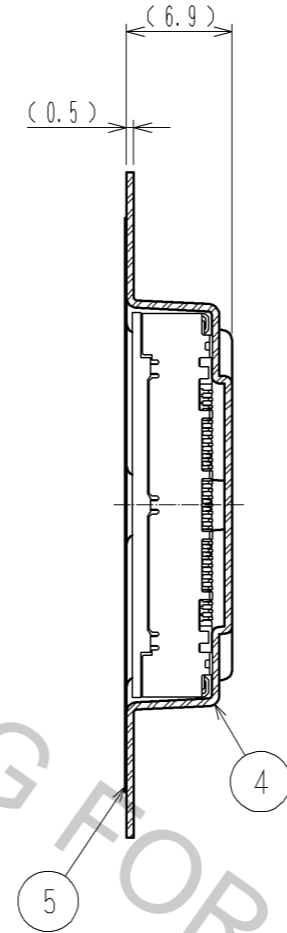
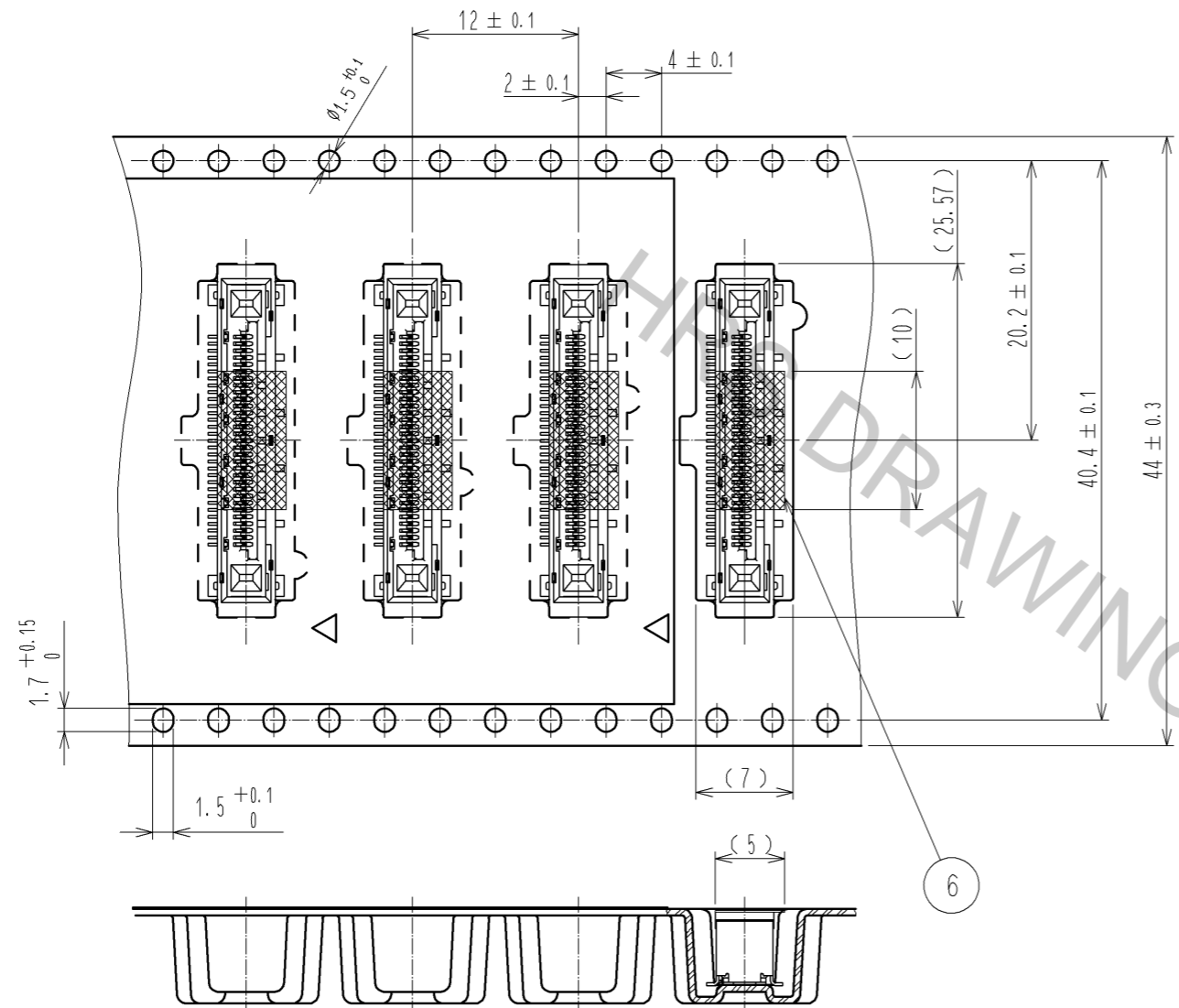
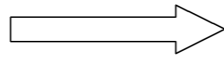


NOTE 1 LEAD CO-PLANARITY OF THIS PRODUCT TO BE 0.1MAX.
 2 AREA OF INNER SMT LAND REQUIRES PATTERN PROHIBITION OR RESIST TREATMENT TO PREVENT THE PATTERN TOUCHING TO THE CONTACTS.
 3 () INDICATES A REFERENCE DIMENSION.
 4 MANUFACTURING PROCESS COULD LEAVE SCRATCH AND/OR PUNCH MARKS HAVING NO AFFECT ON THE PRODUCT PERFORMANCE.
 5 PACKAGING FOR THIS PRODUCT APPLIES EMBOSSED CARRIER TAPE PACKAGING. SEE SHEET 2/2 FOR DETAILS.

3	PHOSPHOR BRONZE	CONTACT AREA : GOLD $0.1 \mu\text{m}$ min LEAD AREA : GOLD $0.03 \mu\text{m}$ min UNDER PLATING : NICKEL $1 \mu\text{m}$ min	6	PI	(TAPE FOR VACUUM PICK UP)
1	LCP	BLACK, UL94V-0	5	PE	(COVER TAPE)
			4	PS	(EMBOSSED CARRIER TAPE)
			2	PHOSPHOR BRONZE	OVER PLATING : TIN PLATING $1 \mu\text{m}$ min UNDER PLATING : NICKEL $0.2 \mu\text{m}$ min
NO.	MATERIAL	FINISH, REMARKS	NO.	MATERIAL	FINISH, REMARKS
UNITS mm		SCALE 5 : 1	COUNT 	DESCRIPTION OF REVISIONS	DESIGNED
HRS HIROSE ELECTRIC CO., LTD.		APPROVED : HS. OKAWA 08.06.03	DRAWING NO. EDC3-157330-00		
		CHECKED : HT. YAMAGUCHI 08.06.03	PART NO. FX16-31S-0.5SV		
		DESIGNED : SS. YOSHIDA 08.06.02	CODE NO. CL575-3402-4-00		
		DRAWN : SS. YOSHIDA 08.06.02	DATE		

DRAWING FOR PACKING (2:1)

THE DIRECITON OF PULLING OUT



REELED DIMENSION (FREE)



DRAWING NO.	EDC3-157330-00
PART NO.	FX16-31S-0.5SV
CODE NO.	CL575-3402-4-00

2/2

Apr.1.2017 Copyright 2017 HIROSE ELECTRIC CO., LTD. All Rights Reserved.