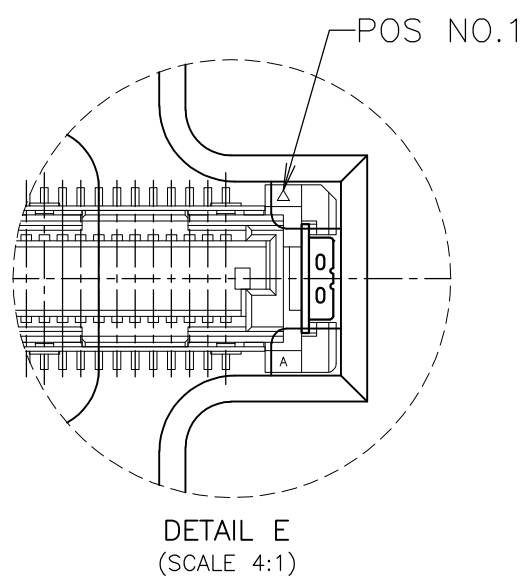
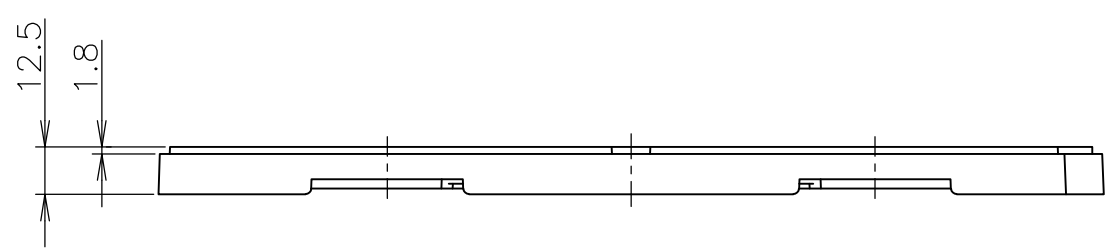
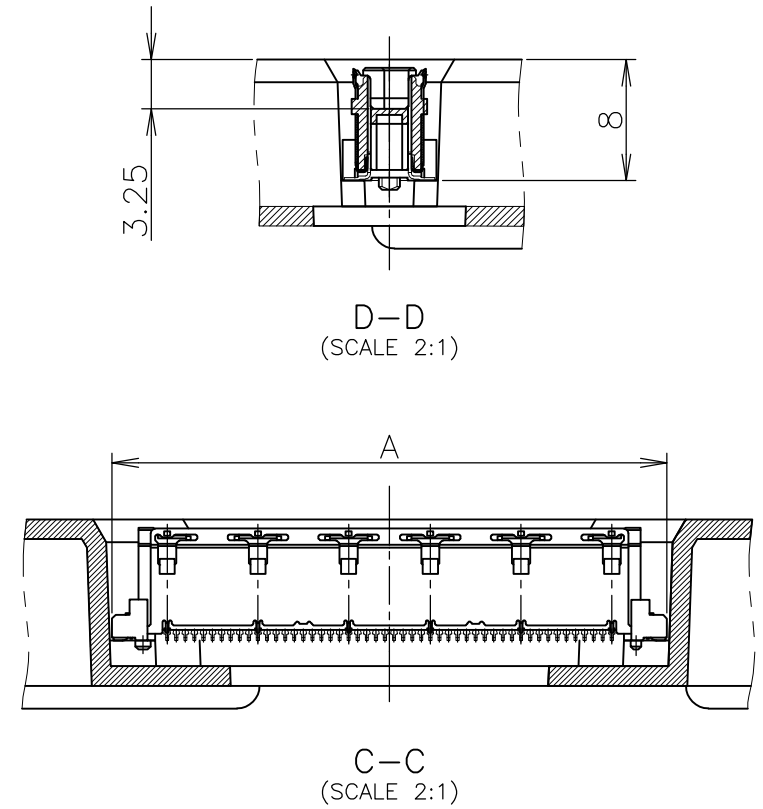
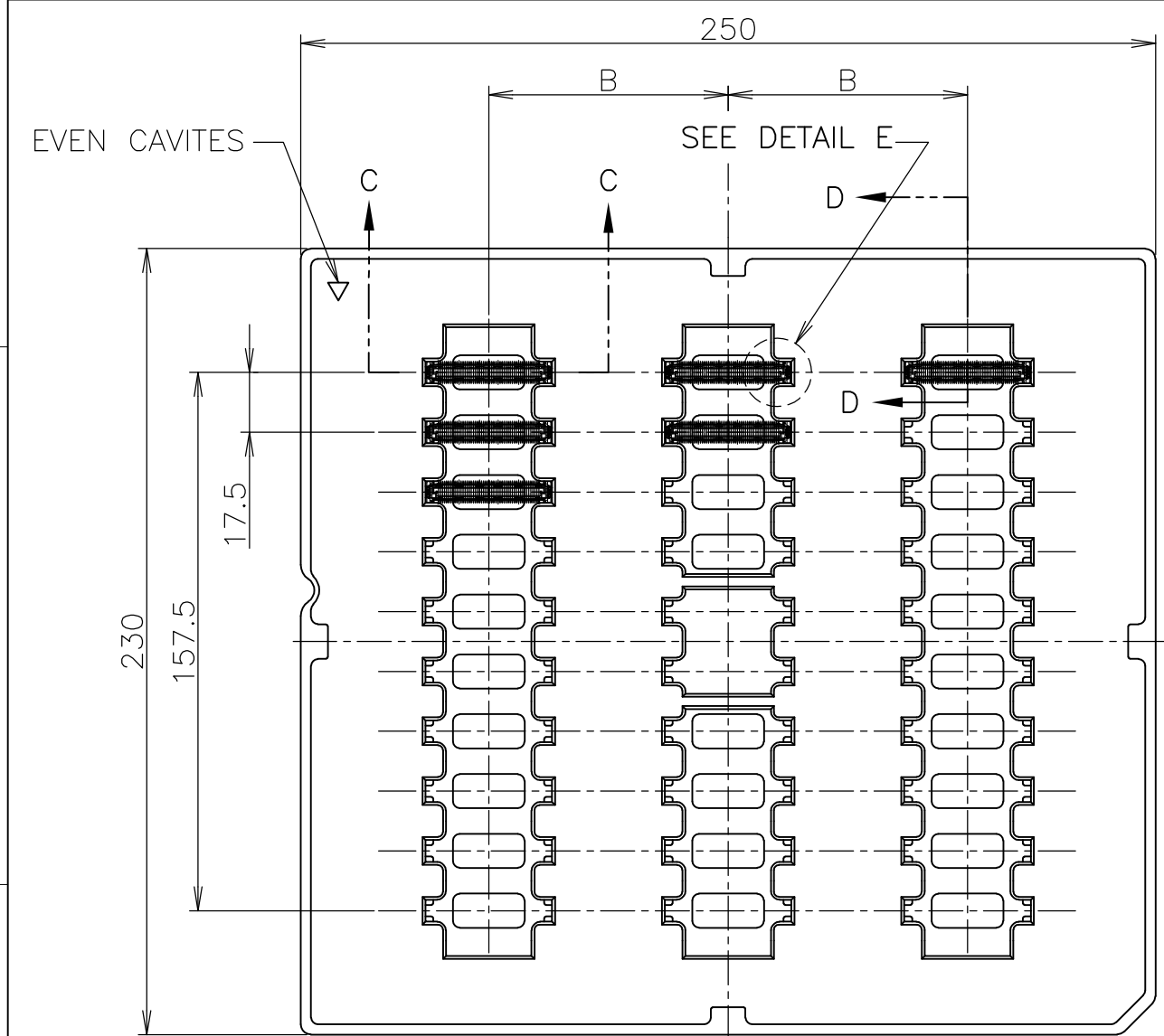


THIS DRAWING IS UNPUBLISHED. RELEASED FOR PUBLICATION NOV, 1995.  
 © COPYRIGHT 1995 By - ALL RIGHTS RESERVED.

LOC	DIST	REVISIONS			DATE	DWN	APVD
J		P	LTR	DESCRIPTION			
		B		REVISED ECR-13-007649	07MAY2013	S.T	S.Y



NON-SEALANT	AVAILABLE	3	30	70	48.7	140	8-912063-3	6-5316316-0
SEALANT	NOT AVAILABLE	↑	↑	↑	54.7	160	4-912068-2	1-5316316-1
	AVAILABLE				48.7	140	8-912063-3	1-↑ -0
	NOT AVAILABLE				42.7	120	4-912068-1	↑ -9
	↑				36.7	100	4-↑ -0	↑ -8
		3	30	70	33.7	90	3-↑ -9	↑ -7
		5	50	43	30.7	80	3-↑ -8	↑ -6
		↑	↑	↑	27.7	70	3-↑ -7	↑ -5
					24.7	60	3-↑ -6	↑ -4
					21.7	50	3-↑ -5	↑ -3
					18.7	40	3-↑ -4	↑ -2
SEALANT	TOOLING STATUS	ROW	QTY	B	A	POS.	TRAY P/N	PART NO.
		5	50	43	15.7	30	3-912068-3	5316316-1

THIS DRAWING IS A CONTROLLED DOCUMENT.

DIMENSIONS: 单位: 耗 mm

TOLERANCES UNLESS OTHERWISE SPECIFIED: 一般公差

0 PLC ± -  
 1 PLC ± -  
 2 PLC ± -  
 3 PLC ± -  
 4 PLC ± -  
 ANGLES ± -

FINISH 仕上

MATERIAL 材料

GENERAL TOLERANCE 一般公差  
 10 ≥ ±0.2  
 30 ≥ >10: ±0.25  
 100 ≥ >30: ±0.3  
 ANGLES: ±3°

DWN HAWKING HE 20DEC04  
 CHK STEVEN YAO 20DEC04  
 APVD I.ENOMOTO 20DEC04  
 PRODUCT SPEC 製品規格 108-60047  
 APPLICATION SPEC 取付適用規格 114-5255  
 WEIGHT

**STE** TE Connectivity

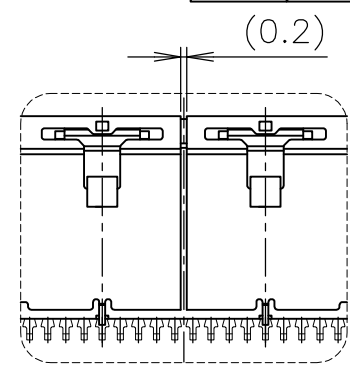
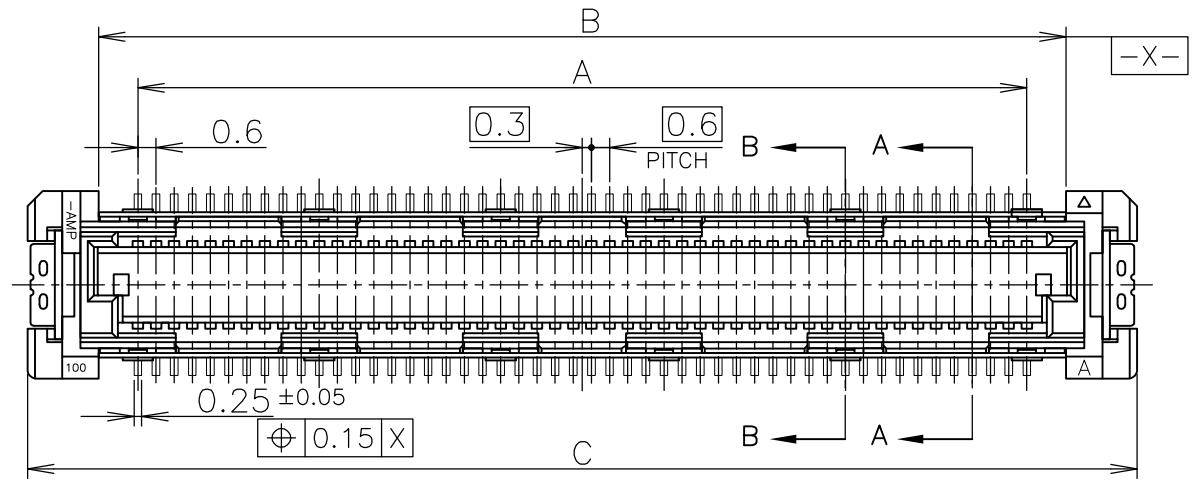
HARD TRAY ASSY  
 FH 0.6BTB CONNECTOR  
 PLUG 8H W/G-PLATE

NAME 名称  
 SIZE A3 CAGE CODE 00779 DRAWING NO 番号 G-5316316 RESTRICTED TO

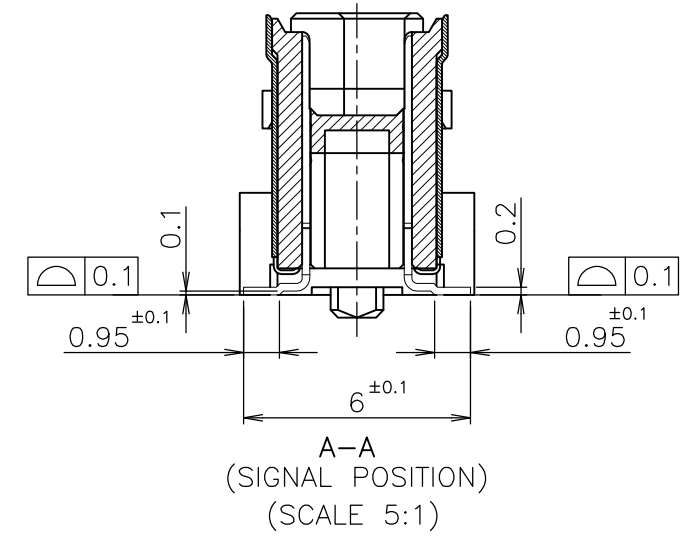
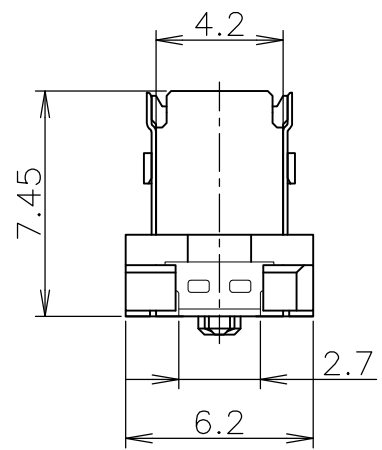
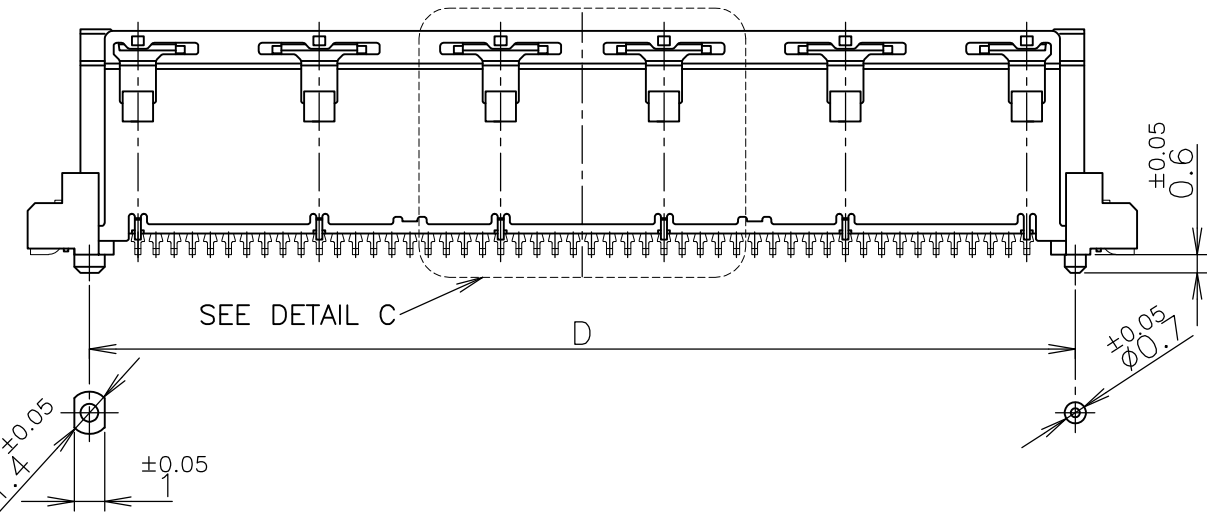
CUSTOMER DRAWING SCALE 尺度 1:2 SHEET 1 OF 3 REV B

THIS DRAWING IS UNPUBLISHED. RELEASED FOR PUBLICATION NOV, 1995.  
 © COPYRIGHT 1995 By - ALL RIGHTS RESERVED.

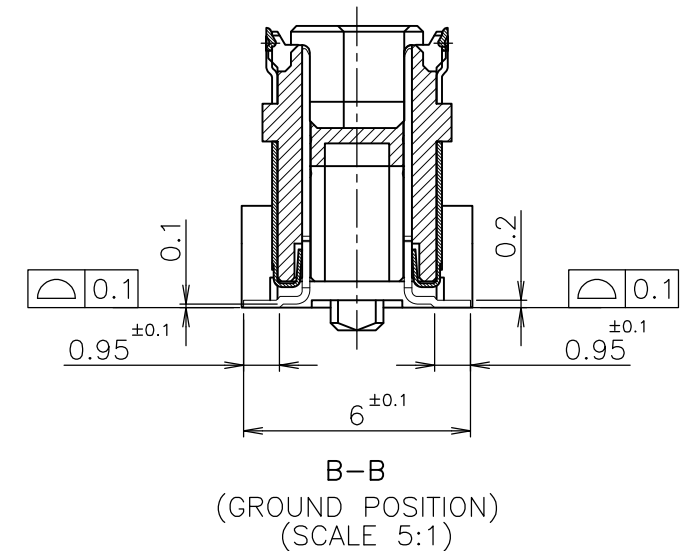
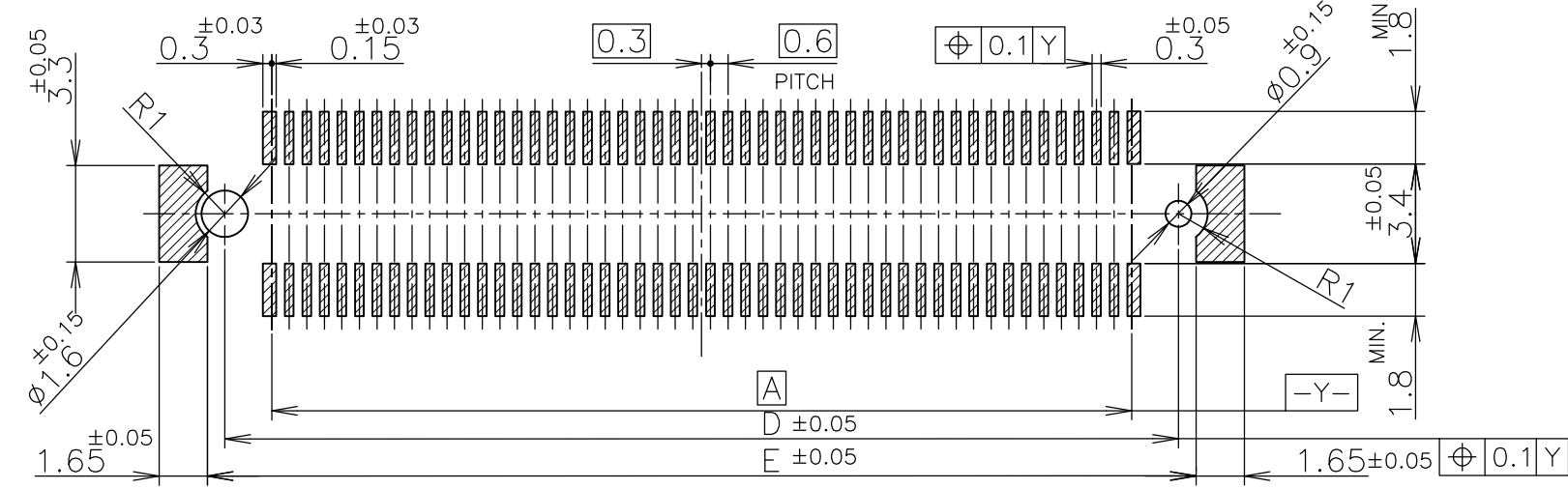
LOC	DIST	REVISIONS		
J		变更	DATE	DWN
P	LTR	DESCRIPTION		APVD
	-	SEE SHEET 1	-	-



DETAIL C  
180P~240P ONLY



A-A  
(SIGNAL POSITION)  
(SCALE 5:1)



B-B  
(GROUND POSITION)  
(SCALE 5:1)

AVAILABLE	51.8	50.6	54.7	50	47.4	160
AVAILABLE	45.8	44.6	48.7	44	41.4	140
NOT AVAILABLE	39.8	38.6	42.7	38	35.4	120
	33.8	32.6	36.7	32	29.4	100
	30.8	29.6	33.7	29	26.4	90
	27.8	26.6	30.7	26	23.4	80
	24.8	23.6	27.7	23	20.4	70
	21.8	20.6	24.7	20	17.4	60
	19.8	17.6	21.7	17	14.4	50
	15.8	14.6	18.7	14	11.4	40
NOT AVAILABLE	12.8	11.6	15.7	11	8.4	30
TOOLING STATUS	E	D	C	B	A	POS

REFERENCE P.C.BOARD LAYOUT

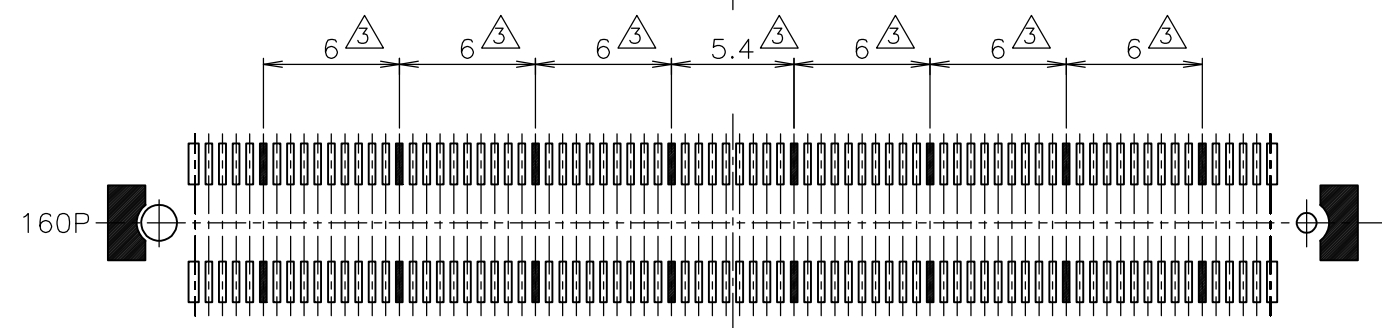
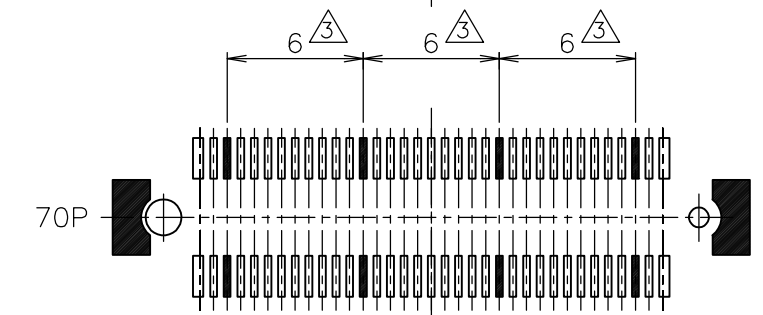
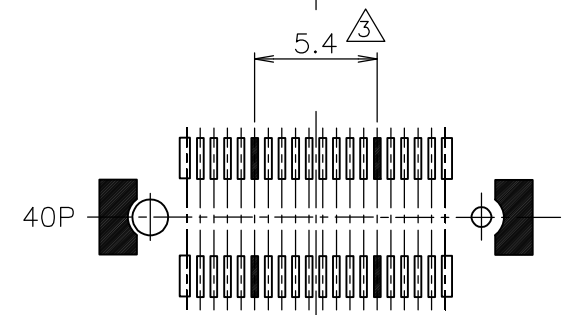
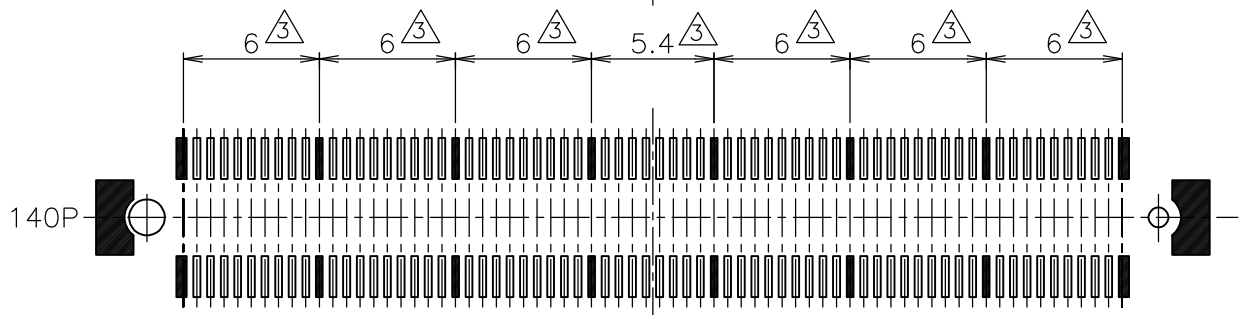
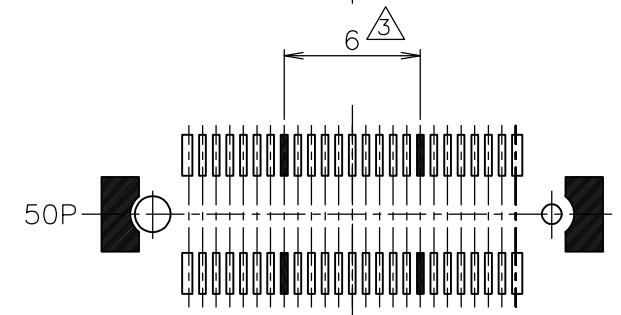
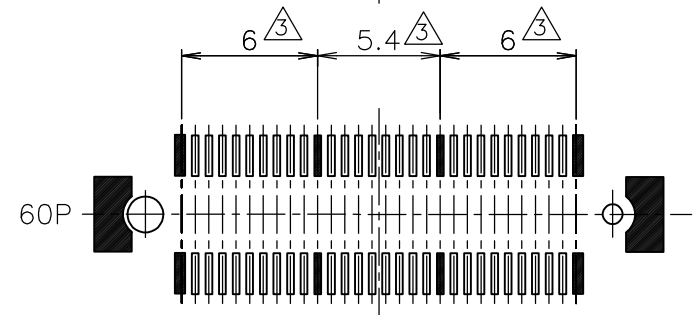
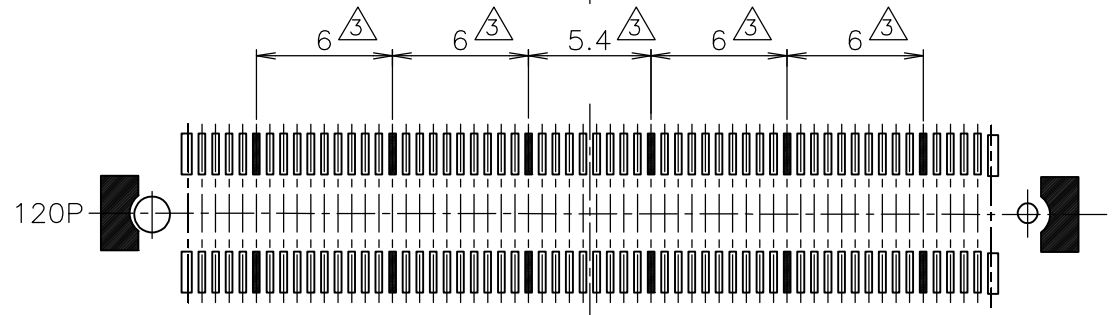
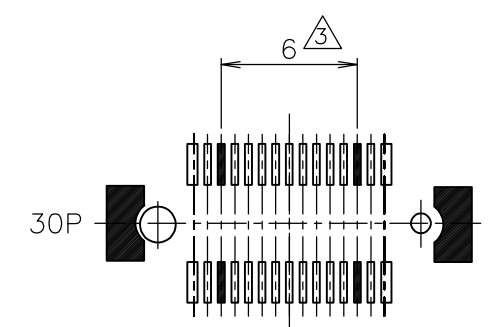
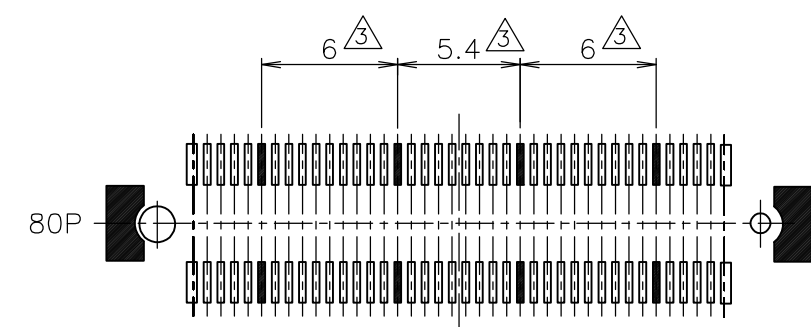
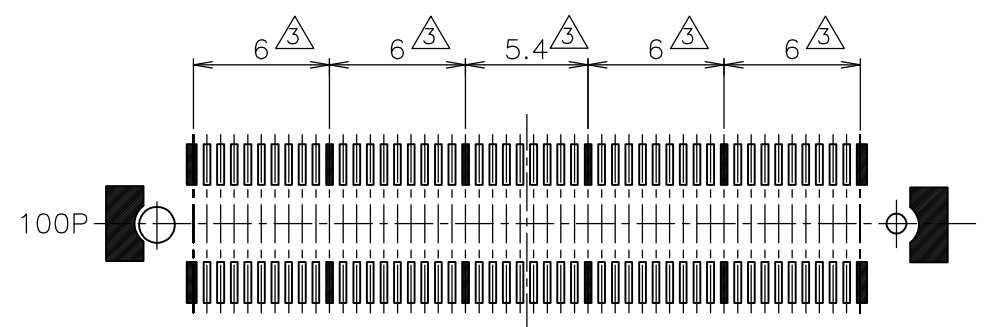
GENERAL TOLERANCE  
一般公差  
 10 ≥ ±0.2  
 30 ≥ >10: ±0.25  
 100 ≥ >30: ±0.3  
 ANGLES: ±3°

THIS DRAWING IS A CONTROLLED DOCUMENT.

DIMENSIONS: 単位: 耗 mm	TOLERANCES UNLESS OTHERWISE SPECIFIED: 一般公差	DWN	TE Connectivity NAME 名称 HARD TRAY ASSY FH 0.6BTB CONNECTOR PLUG 8H W/G-PLATE
	0 PLC ± -	CHK	
	1 PLC ± -	APVD	
	2 PLC ± -	PRODUCT SPEC 製品規格	
	3 PLC ± -	APPLICATION SPEC 取付適用規格	
MATERIAL 材料	4 PLC ± -	WEIGHT	SIZE A3 CAGE CODE 00779 DRAWING NO. C-5316316 RESTRICTED TO
	ANGLES ± -	CUSTOMER DRAWING	SCALE 尺度 4:1 SHEET 2 OF 3 REV B

THIS DRAWING IS UNPUBLISHED. RELEASED FOR PUBLICATION NOV , 1995.  
 © COPYRIGHT 1995 By - ALL RIGHTS RESERVED.

LOC	DIST	REVISIONS		
J		变更	DESCRIPTION	DATE
		P	LTR	DWN
		-	SEE SHEET 1	APVD



- △ MATERIAL ; HOUSING : HIGH TEMP THERMO PLASTIC UL94V-0  
CONTACT : COPPER ALLOY
- △ FINISH ; UNDER PL Ni 0.0013mm MIN ALL OVER.  
CONTACT AREA 0.0002 MIN Au PL.  
SOLDERING AREA 0.001 MIN TIN PL.
- △ THIS POSITION IS GROUND CIRCUIT.

GENERAL TOLERANCE  
 一般公差  
 10 ≥ : ±0.2  
 30 ≥ >10 : ±0.25  
 100 ≥ >30 : ±0.3  
 ANGLES : ±3°

THIS DRAWING IS A CONTROLLED DOCUMENT.

DIMENSIONS: 单位: 耗 mm	TOLERANCES UNLESS OTHERWISE SPECIFIED: 一般公差
	0 PLC ± - 1 PLC ± - 2 PLC ± - 3 PLC ± - 4 PLC ± - ANGLES ± -
MATERIAL 材料	FINISH 仕上
△ 1	△ 2

DWN
CHK
APVD
PRODUCT SPEC 製品規格
APPLICATION SPEC 取付適用規格
WEIGHT
CUSTOMER DRAWING

<b>STE</b> TE Connectivity			
NAME 名称 HARD TRAY ASSY FH 0.6BTB CONNECTOR PLUG 8H W/G-PLATE			
SIZE	CAGE CODE	DRAWING NO 番号	RESTRICTED TO
A3	00779	G-5316316	
SCALE 尺度 3:1		SHEET 3 OF 3	REV B