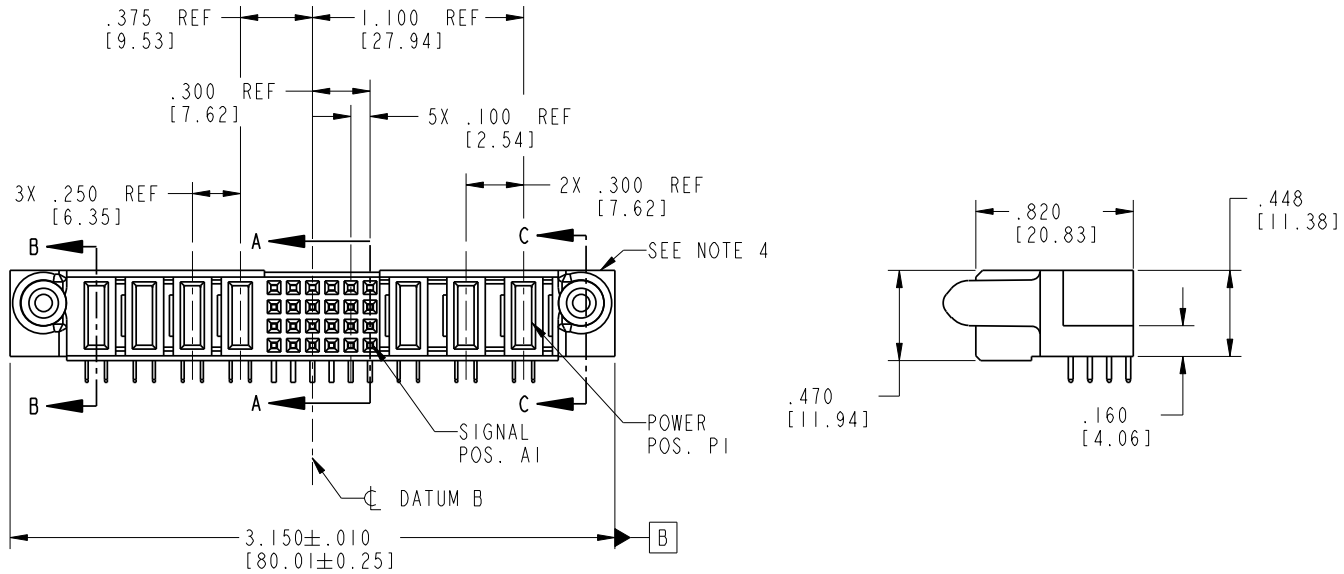
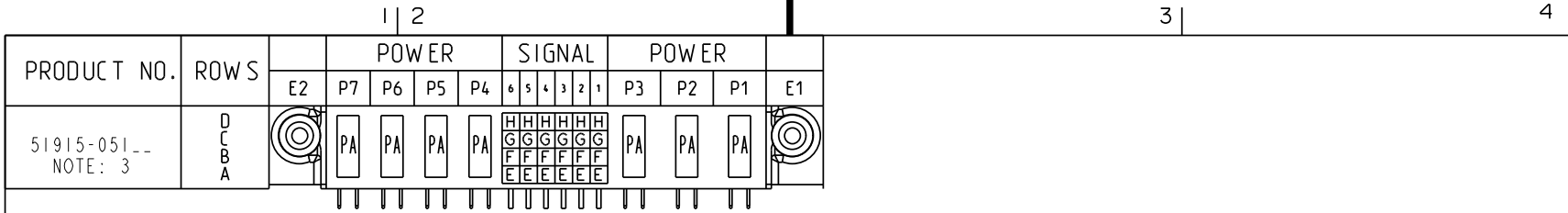


Tous droits strictement reserves. Reproduction ou communication a des tiers interdite sous quelque forme que ce soit sans autorisation ecrite du proprietaire. Propriete de c FCI. Droits de reproduction FCI.

All rights strictly reserved. Reproduction or issue to third parties in any form whatever is not permitted without written authority from the proprietor. Property of FCI. Copyright FCI.



CODE	DIM "M" MATING LENGTH	CONTACT TYPE
E	N/A [N/A]	SIGNAL
F	N/A [N/A]	SIGNAL
G	N/A [N/A]	SIGNAL
H	N/A [N/A]	SIGNAL
PA	.042 [1.07]	POWER

lir	ecn no.	dr	date	linear	tolerances unless otherwise specified
A	V04-0633	TAB	06/15/04		.XX±.01/0.X±0.3
B	DG06-0158	JMG	04/12/06		.XXX±.005/0.XX±0.13
					.XXX±.0020/0.XXX±0.051
				angles	0°±2°
				dr	T. BRUNGARD 06/15/04
				enrg	M. GRAY 06/15/04
				chr	M. GRAY 06/15/04
				appd	M. GRAY 06/15/04
sheet index	revision sheet	B 1	B 2	B 3	B 4

CUSTOMER		FCI	
COPY		www.fciconnect.com	
projection	INCH/MM	title 3ACP + 24S + 4P R/A SOLDER RECEPTACLE	
scale 1:1	product family PwrBlade	code 213	sheet 1 of 4
	size A	dwg no 51915-051	

1 | 2

Pro/E

PDM: Rev: B

STAT US: Released

Printed: Dec 20, 2010

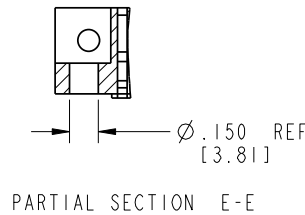
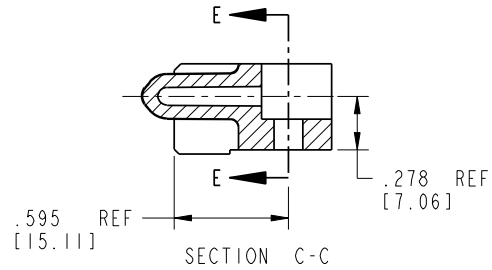
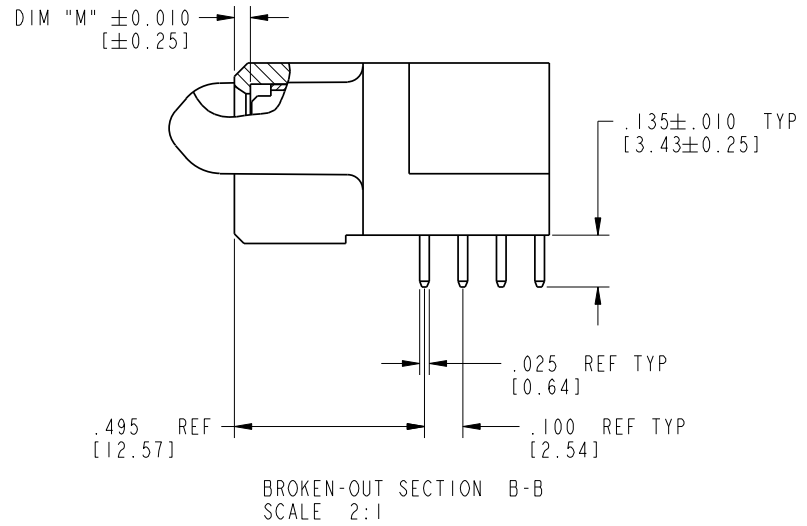
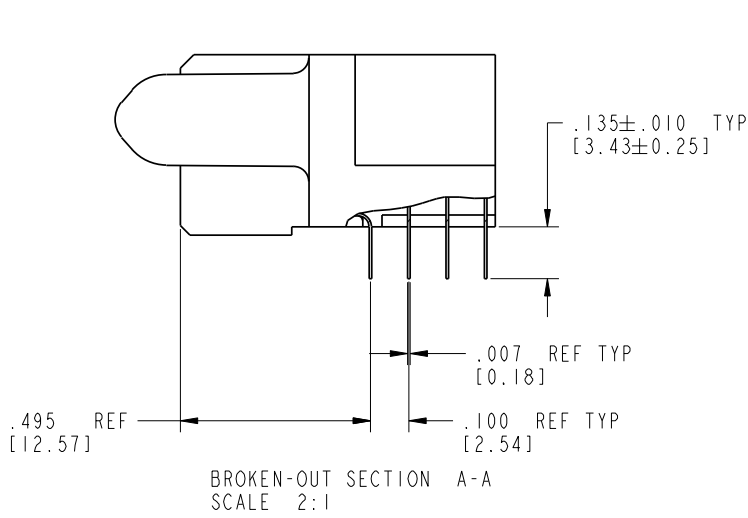
Tous droits strictement reserves. Reproduction ou communication a des tiers interdite sous quelque forme que ce soit sans autorisation ecrite du proprietaire. Propriete de c FCI. Droits de reproduction FCI.

All rights strictly reserved. Reproduction or issue to third parties in any form whatever is not permitted without written authority from the proprietor. Property of FCI. Copyright FCI.



PRODUCT NUMBER

51915-051\_\_  
NOTE: 3



mol'l code		SEE NOTE 2		tolerances unless otherwise specified		CUSTOMER		FCI	
lir	ecn no.	dr	date	linear	.XX ± .01 / 0.X ± 0.3	COPY		www.fciconnect.com	
B				linear	.XX ± .005 / 0.XX ± 0.13	projection		title	
				linear	.XXX ± .0020 / 0.XXX ± 0.051	INCH/MM		3ACP + 24S + 4P	
				angles	0° ± 2°	scale		R/A SOLDER RECEPTACLE	
				dr	T. BRUNGARD 06/15/04	1:1		product family	
				enrg	M. GRAY 06/15/04			PwrBlade	
				chr	M. GRAY 06/15/04			code	
				appd	M. GRAY 06/15/04			213	
sheet index	revision sheet							size	
								A 51915-051	
								sheet	
								2 of 4	

A

A

B

B

1 | 2

3 |

4

1 | 2

Pro/E

PDM: Rev: B

STAT US: Released

Printed: Dec 20, 2010

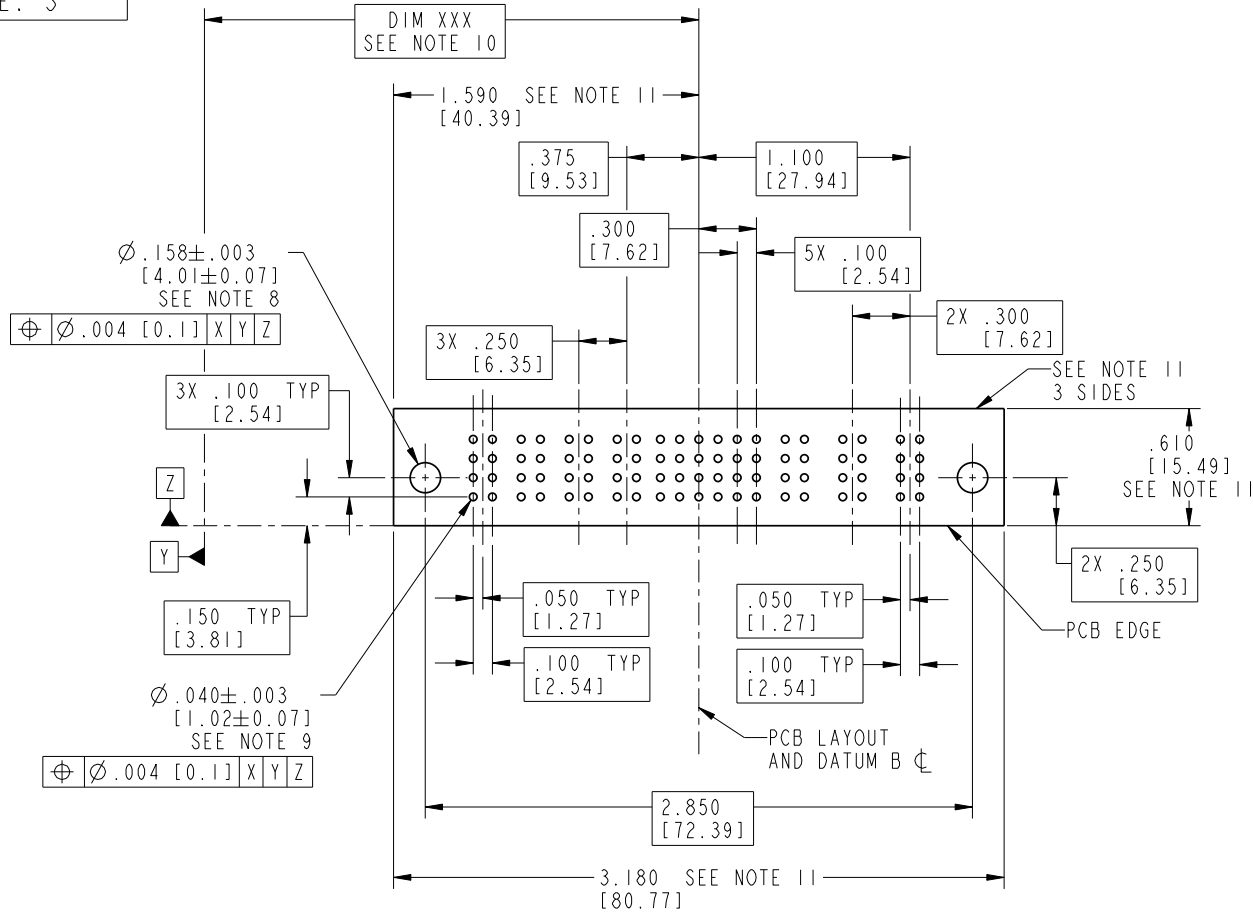
Tous droits strictement réservés. Reproduction ou communication a des tiers interdite sous quelque forme que ce soit sans autorisation écrite du propriétaire. Propriété de c FCI. Droits de reproduction FCI.

All rights strictly reserved. Reproduction or issue to third parties in any form whatever is not permitted without written authority from the proprietor. Property of FCI. Copyright FCI.



PRODUCT NUMBER

51915-051\_\_  
NOTE: 3



mat'l code		SEE NOTE 2		tolerances unless otherwise specified		CUSTOMER		FCI	
lir	ecn no.	dr	date	linear	.XX±.01/0.X±0.3	COPY		www.fciconnect.com	
B				projection	.XXX±.005/0.XX±0.13	INCH/MM		title 3ACP + 24S + 4P R/A SOLDER RECEPTACLE	
				angles	.XXX±.0020/0.XXX±0.051	scale 1:1		product family PwrBlade code 213	
				dr	T. BRUNGARD 06/15/04			size dwg no 51915-051 sheet 3 of 4	
				enr	M. GRAY 06/15/04				
				chr	M. GRAY 06/15/04				
				appd	M. GRAY 06/15/04				
sheet index	revision sheet								

Tous droits strictement reserves. Reproduction ou communication a des tiers interdite sous quelque forme que ce soit sans autorisation écrite du propriétaire. Propriete de c FCI. Droits de reproduction FCI.

All rights strictly reserved. Reproduction or issue to third parties in any form whatever is not permitted without written authority from the proprietor. Property of FCI. Copyright FCI.



1 | 2

3 |

4

PRODUCT NUMBER

51915-051\_\_  
NOTE: 3

NOTES:

1. DIMENSIONS AND TOLERANCES ARE IN ACCORDANCE WITH ASME Y14.5M, 1994 UNLESS OTHERWISE SPECIFIED.

CONNECTOR NOTES:

- 2. HOUSING MATERIAL: UL 94 V-0 GLASS FILLED  
HIGH-TEMP THERMOPLASTIC  
POWER CONTACT MATERIAL: COPPER ALLOY  
SIGNAL PIN MATERIAL: COPPER ALLOY
  - 3. 51915-051;51915-051LF;51915-051GLF PLATING SPEC. SEE PRINT:10064183
  - 4. MANUFACTURER'S NAME, P/N, AND DATE CODE TO APPEAR ON THIS SURFACE.
  - 5. PRODUCT SPECIFICATION GS-12-149.  
APPLICATION SPECIFICATION BUS-20-067.
  - 6. PACKAGED IN TRAYS.
- PCB NOTES:
- 7. ALL HOLE DIAMETERS ARE FINISHED HOLE SIZE.
  - 8. MOUNTING HOLES, WHERE APPLICABLE, ARE UNPLATED.
  - 9.  $\varnothing .0453 \pm .0010$  [1.151 $\pm$ 0.025] DRILLED HOLES PLATED WITH .0003 [0.008] MIN SnPb OVER .001 [0.03] TO .003 [0.08] Cu PLATING TO ACHIEVE  $\varnothing .040 \pm .003$  [1.02 $\pm$ .07] HOLE.
  - 10. "DIM XXX" TO BE DETERMINED BY THE CUSTOMER.
  - 11. CONNECTOR KEEP-OUT ZONE.

A

A

B

B

mol'l code		SEE NOTE 2		tolerances unless otherwise specified		CUSTOMER		FCI		www.fciconnect.com	
lir	ecn no.	dr	date	linear	.XX $\pm$ .01/0.X $\pm$ 0.3	COPY					
B					.XX $\pm$ .005/0.XX $\pm$ 0.13	projection		title 3ACP + 24S + 4P			
				angles	.XXX $\pm$ .0020/0.XXX $\pm$ 0.051	INCH/MM		R/A SOLDER RECEPTACLE			
				dr	T. BRUNGARD 06/15/04	scale		product family PwrBlade		code	
				enrg	M. GRAY 06/15/04	1:1		size		213	
				chr	M. GRAY 06/15/04			dwg no		sheet	
				appd	M. GRAY 06/15/04			A		4 of 4	
sheet index	revision sheet							A		51915-051	

1 | 2

Pro/E

PDM: Rev: B

STAT US: Released

Printed: Dec 20, 2010