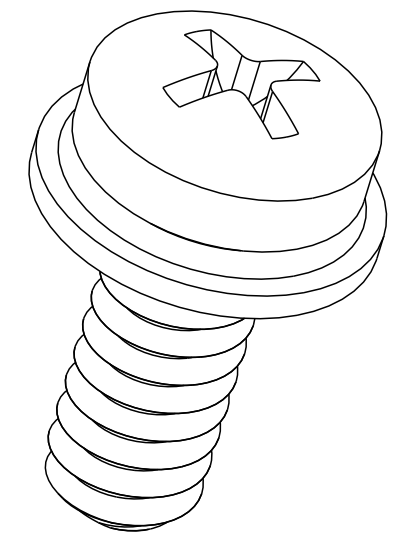
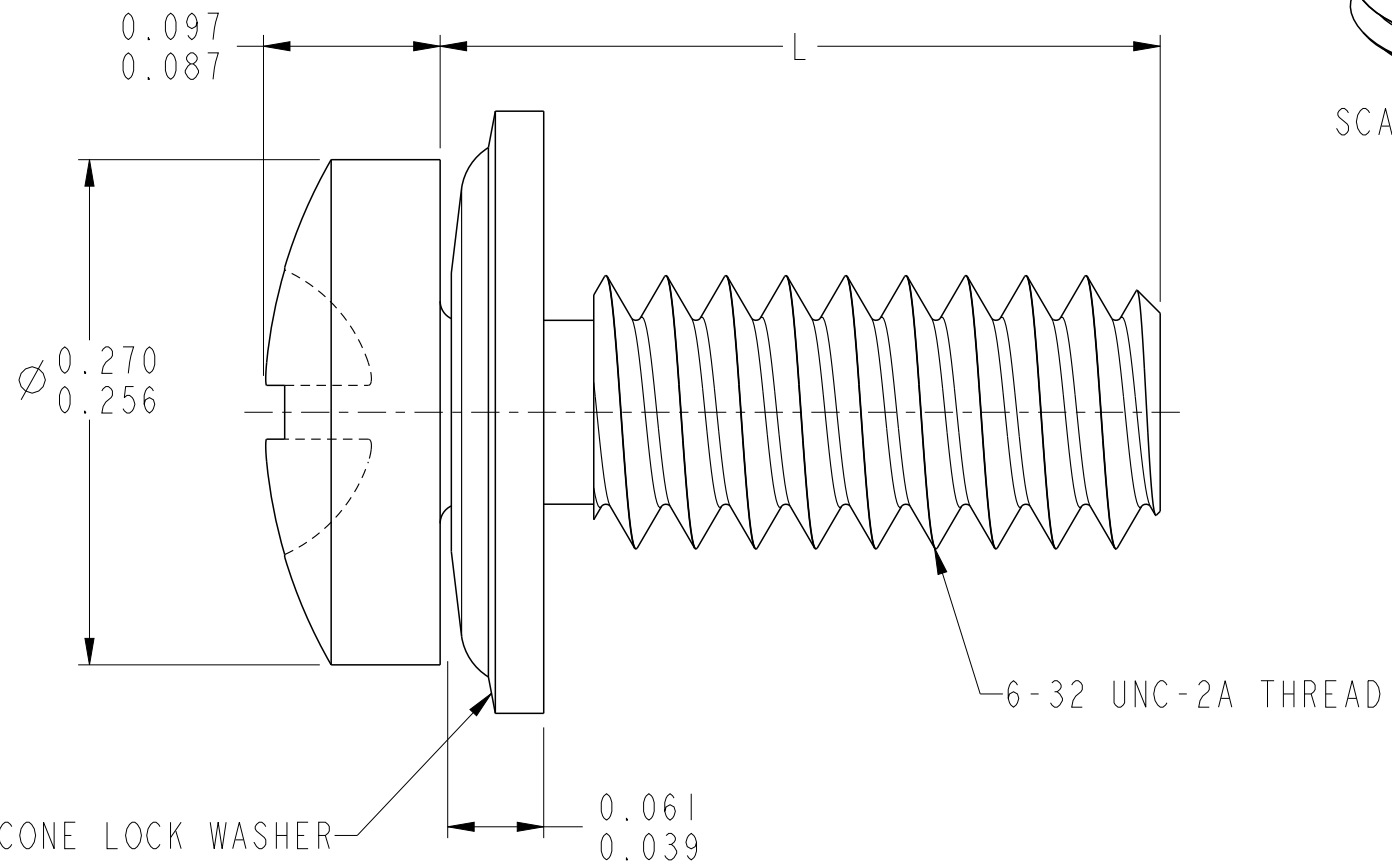
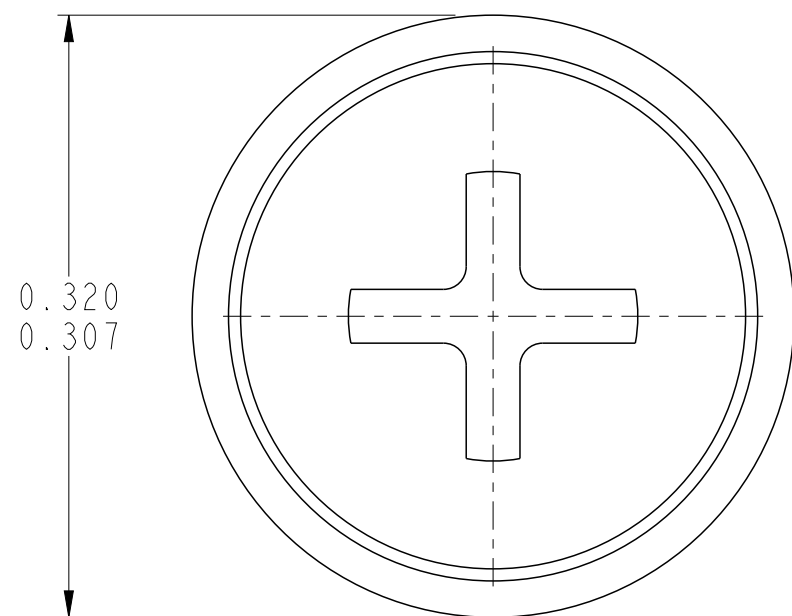


PART NUMBER	"L" DIM
10091791-001LF	.375" <sup>+.000</sup> -.020
10091791-002LF	.500" <sup>+.000</sup> -.020
10091791-003LF	.625" <sup>+.000</sup> -.020



SCALE 6:1

SQUARE CONE LOCK WASHER

NOTES:

- MATERIAL: SCREW: 18-8 STAINLESS STEEL PER ASTM F593  
WASHER: 410 STAINLESS STEEL
- DRIVE SIZE: #2 PHILLIPS

spec ref	-	dr	Jim Swain	2010/01/26	projection	INCH	size	A3	scale	10:1			
tolerance std	ASME Y14.5	eng	Jim Swain	2011/05/19			ecn no	-	rel level	Released			
	TOLERANCES UNLESS OTHERWISE SPECIFIED	chr	-	-									
surface	✓	appr	Steve Minich	2011/05/19	product family	-	rel level	Released					
	linear					SCREW, SEMS, PAN-HEAD, PHILLIPS, #6-32 THREADED	dwg no 10091791	rev A					
	angular												
					www.fci.com	cat. no.	SEE P/N TABLE	Product - Customer Drw	sheet 1 of 1				