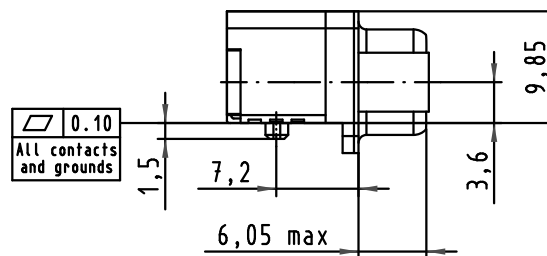
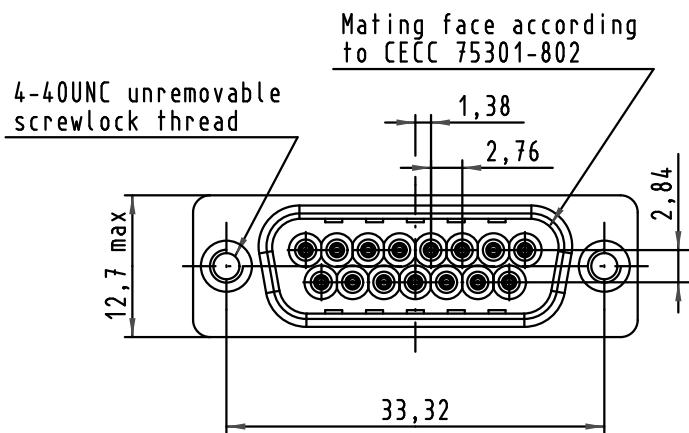


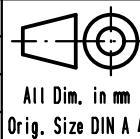
PCB Layout, component side (thickness 1,6mm min.)



Max. Temperature: 260°C during 10 seconds

09552663820.741	1	4-40 UNC	Black Insulator	Reel Packaging (160 connectors) see page 2/2
09552666820.741	2			
09552667820.741	3			
Part number	PL	Thread	Index designation	

				Dot.	Name
				Detail.	29Sep2009 LP
				Insp.	
				Stand.	
EC01257	25Jan2010	ED	HARTING EURL F-95972 Paris		
EC00385	29/09/2009	LP			
Mod.	Dot.	Name			



D-SUB SMT
Low Profile Male 15p
with die casted grounds
and 4-40UNC unremovable screwlocks

TB 09 55 266 x820

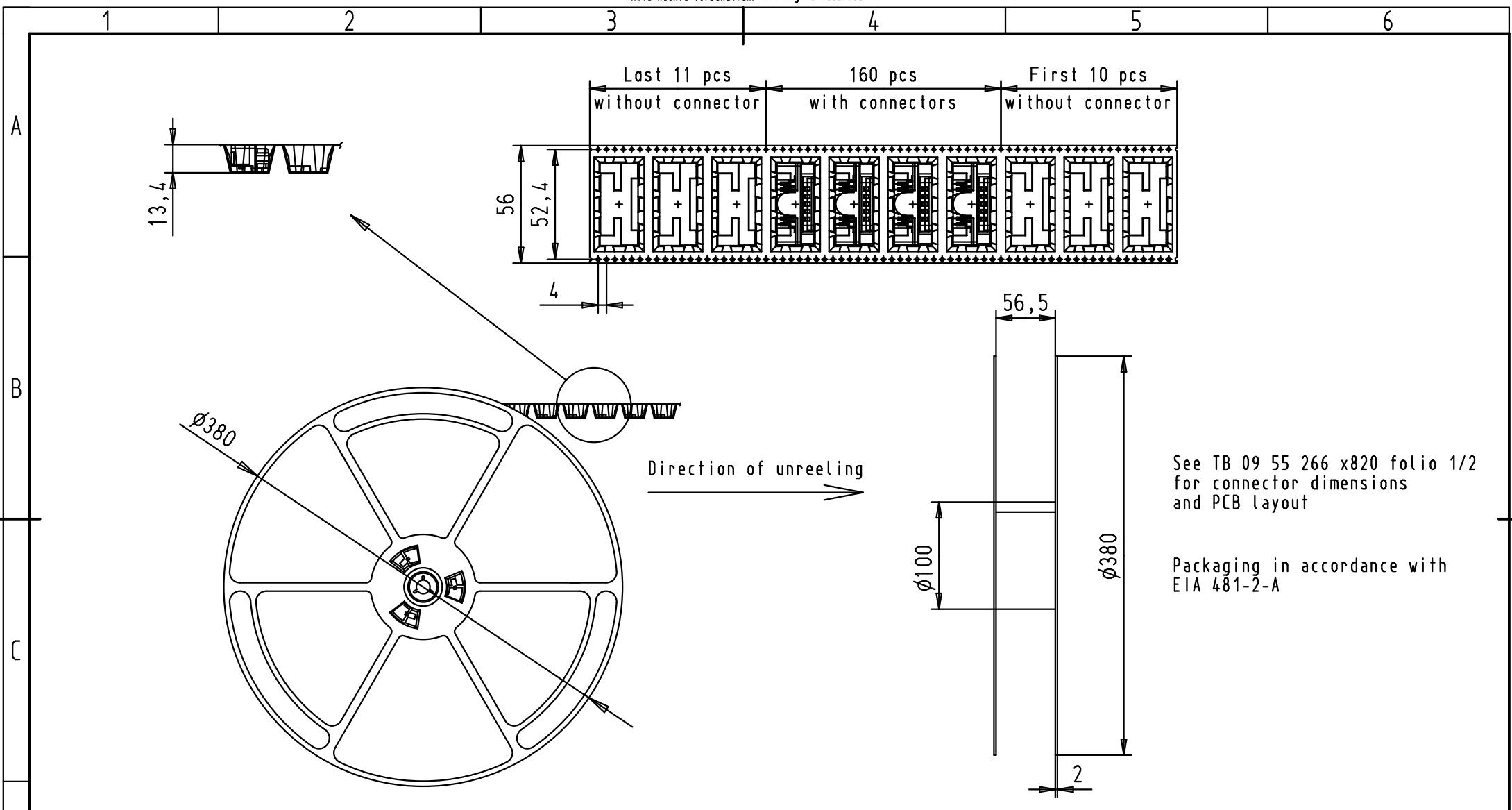
Sub.

Maßstab/
Scale

1,5:1

Blatt/ Page

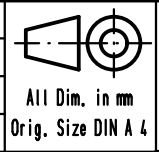
1/2



See TB 09 55 266 x820 folio 1/2
for connector dimensions
and PCB layout

Packaging in accordance with
EIA 481-2-A

				Dot.	Name
				Detail.	17Jul2006 ED
				Insp.	
				Stand.	



D-SUB SMT
Low Profile Male 15p
with die casted grounds
and 4-40UNC unremovable screwlocks

Maßstab/
Scale

09552663820.741	1	4-40 UNC	Black Insulator	Reel Packaging (160 connectors)
09552666820.741	2			
09552667820.741	3			
Part number	PL	Thread	Index designation	

EC01257	25Jan2010	ED
EC01078	09Nov2009	LP
Mod.	Dot.	Name

HARTING EURL
F-95972 Paris



TB 09 55 266 x820
Sub.

Blatt/ Page
2 / 2