

SUMMARY

Wires

Low	19
High	0
Coax	0
Triax	0
Quad	0
Fiber	0
Fluidic	0



Image is for illustrative purpose only

Download

[Request a quote](#)

[Catalog](#)

Series	2W
Termination type	Male solder
IP rating	68
Cable Ø	7.10 - 7.50 mm
Matching parts	EVG.2W.319.CLN
Status	
Alternative part	

TECHNICAL DETAILS

Mechanics

Shell Style/Model	FV*: Straight plug, cable collet
Keying	
Housing Material	Brass (chrome plated) shell and collet nut, nickel plated brass latch sleeve and mid pieces
Cable Fixing	C75: 7.1 - 7.5 mm
Variant	

Performance

Configuration	
Insulator	
Rated Current	5 Amps

Specifications

Contact Type:	Solder
Max. Matings:	5000
Contact Dia.:	0.7 mm (0.028in)
Bucket Dia.:	0.8 mm (0.031in)
Max. Stranded Conductor:	0.34 mm ² (AWG 22)
Max. Conductor:	0.34 mm ² (AWG 22)

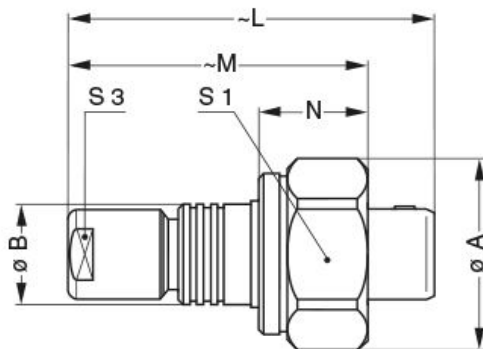
R (max): 6.1 mOhm
Vtest (contact-contact): 950 V (AC) 1300 V (DC)
Vtest (contact-shell): 1250 V (AC) 1800 V (DC)

Others

Pressure: 30 bars
IP Rating: 68

DRAWINGS

Draws



Dimensions

	A	B	L	M	N	S1	S3
mm.	23.5	14.0	52.5	43.0	15.5	22	12
in.	0,93	0,55	2,07	1,69	0,61	0,87	0,47

RECOMMENDED BY LEMO

Tools

None

Cables