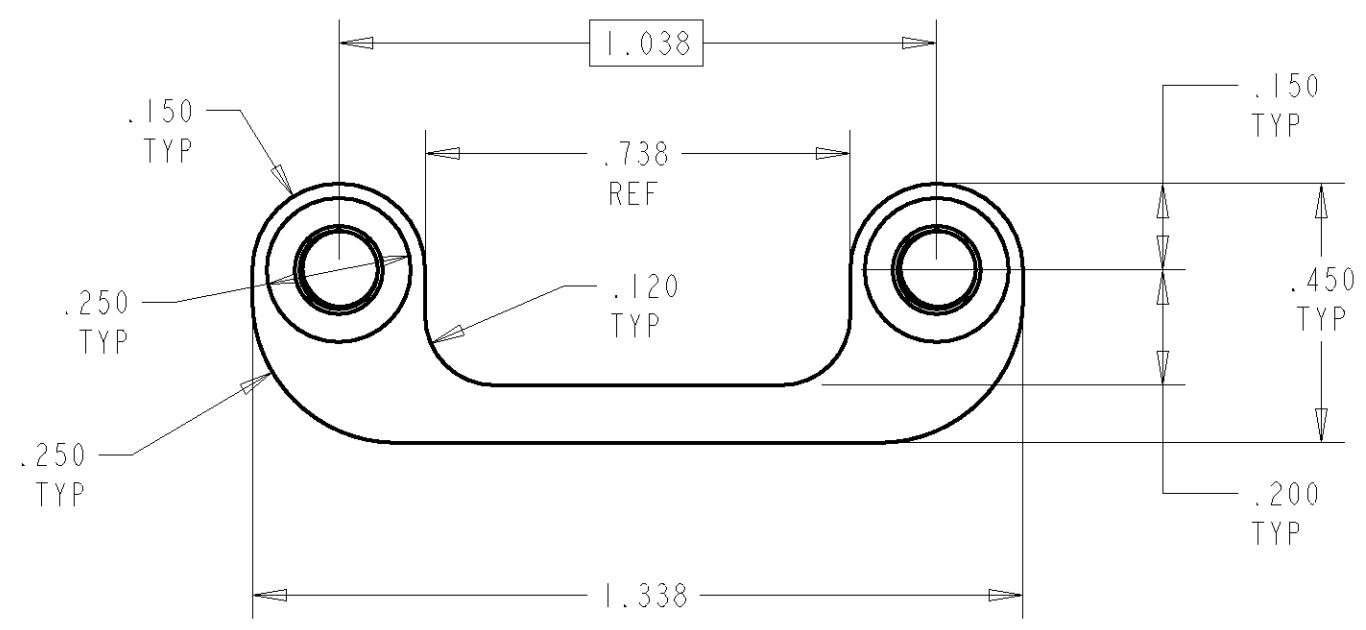
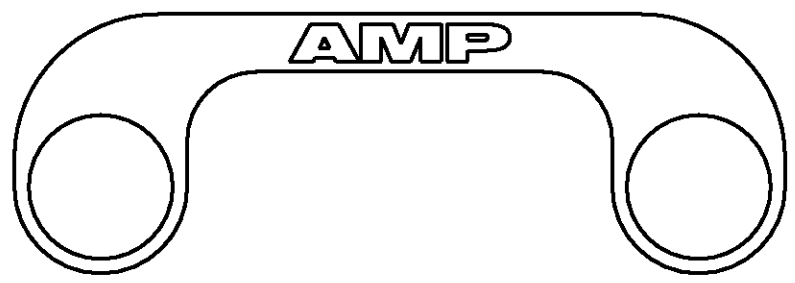
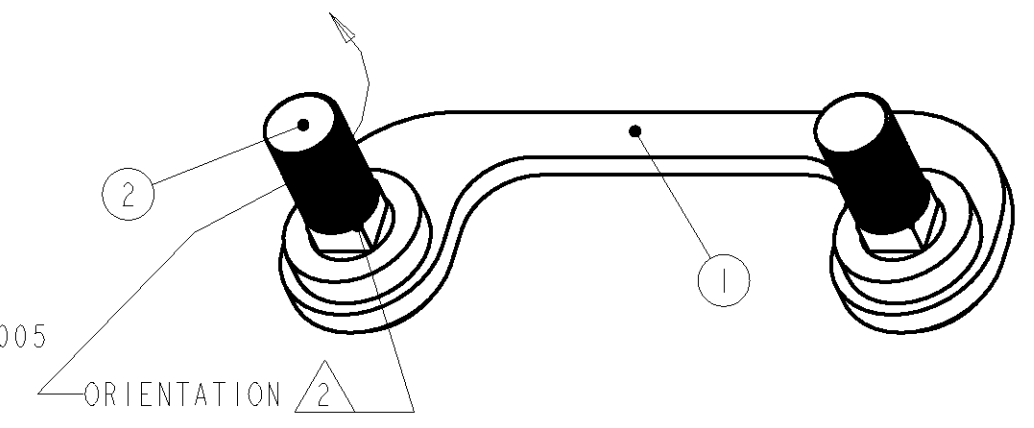
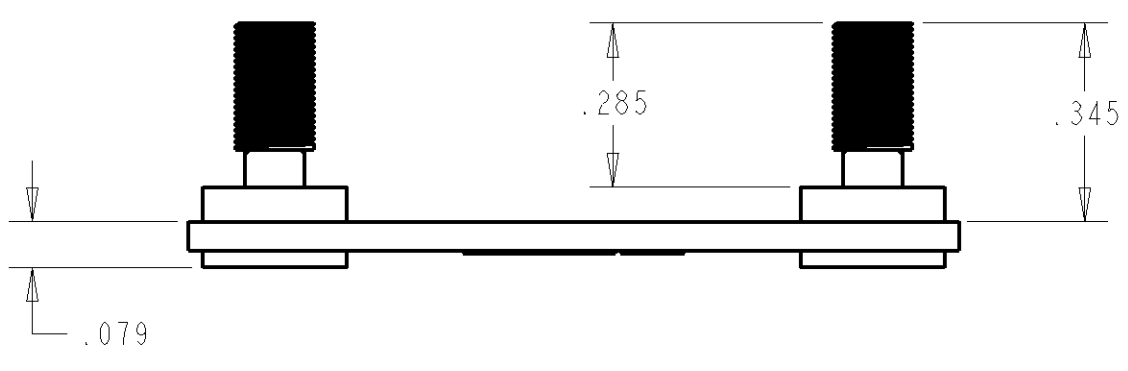


THIS DRAWING IS UNPUBLISHED. RELEASED FOR PUBLICATION .19 .  
 © COPYRIGHT 19 BY AMP INCORPORATED. ALL RIGHTS RESERVED.

LOC	DIST	REVISIONS			
P	LTR	DESCRIPTION	DATE	DWN	APVD
AD	12	0	RELEASED	30OCT97	MKI JS



- ① MATERIAL: BRIDGE; NYLON, COLOR; BLACK. STUD; BRASS-COPPER ALLOY.
- ② STUDS MAY BE RANDOMLY ORIENTED IN BRIDGE CAVITIES.



145313-1	145314-1	145312-1
② 6-32 STUD QTY 2	① BRIDGE QTY 1	PART NUMBER

THIS DRAWING IS A CONTROLLED DOCUMENT FOR AMP INCORPORATED. IT IS SUBJECT TO CHANGE AND THE CONTROLLING ENGINEERING ORGANIZATION SHOULD BE CONTACTED FOR THE LATEST REVISION.		DWN 22APR97 JAMES P. SCHOLZ	<b>AMP</b> AMP Incorporated Harrisburg, PA 17105-3608	
DIMENSIONS: INCHES	TOLERANCES UNLESS OTHERWISE SPECIFIED:	CHK -	NAME BRIDGE ASSEMBLY RETENTION MODULE	
	0 PLC ±-	APVD -	PRODUCT SPEC -	
	1 PLC ±-	PRODUCT SPEC -	APPLICATION SPEC -	
	2 PLC ±-	APPLICATION SPEC -	SIZE A3	CAGE CODE 00779
	3 PLC ±.010	WEIGHT -	DRAWING NO C=145312	RESTRICTED TO -
	4 PLC ±-		SCALE 3:1	SHEET 1
MATERIAL ①	FINISH -	CUSTOMER DRAWING		OF 1
				REV 0