

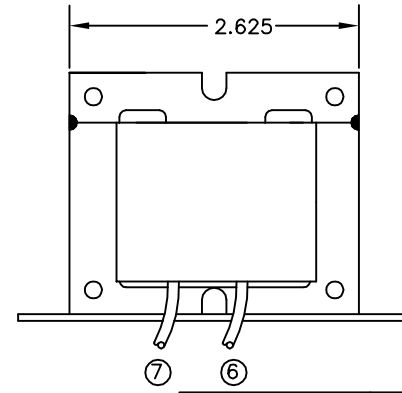
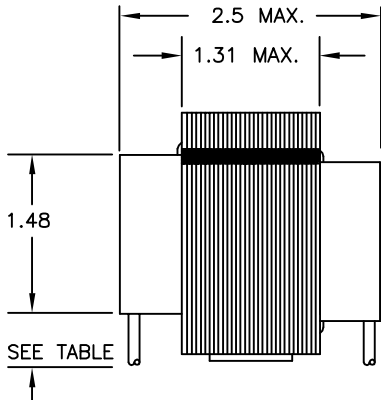
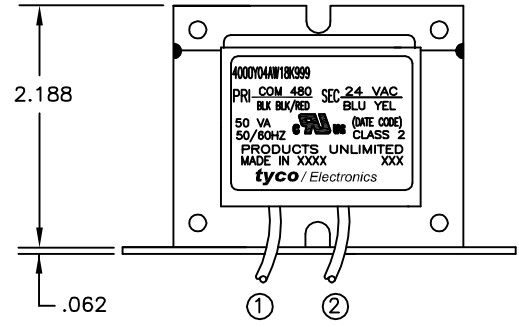
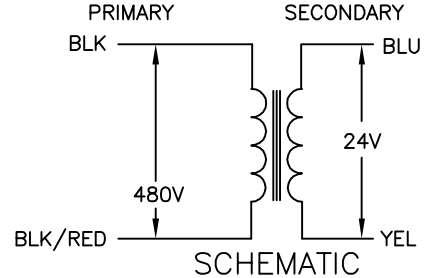
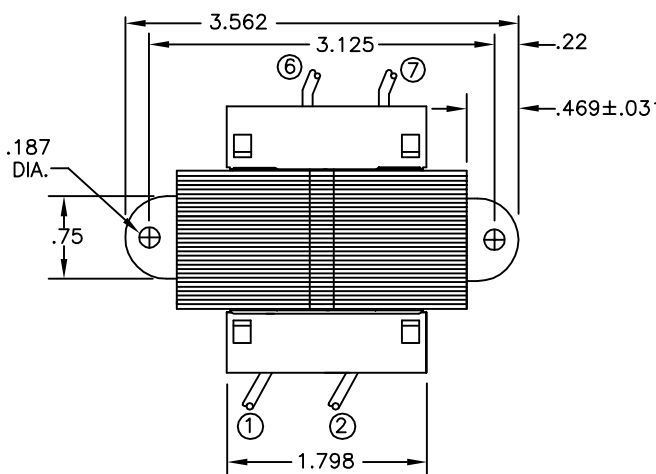
ALL LEADS 18AWG-UNLESS OTHERWISE SPECIFIED

PRIMARY			
LEAD NO.	1	2	
VOLTAGE	COM	480	
COLOR	BLK	BLK/RED	
LENGTH	12.0	12.0	
STRIP LENGTH	.50	.50	

- NOTES
1. DIMENSIONS FOR REFERENCE ONLY.
 2. ALL LEADS +1"/-0" TOL.
 3. STRIP TOL. ±1/32
 4. WINDING PROTECTION-INHERENTLY LIMITING

CERTIFICATION: UL & CUL FILE NO. E87824

SECONDARY				
LEAD NO.	6	7	8	9
VOLTAGE	24	VAC		
COLOR	BLU	YEL		
LENGTH	12.0	12.0		
STRIP LENGTH	.50	.50		



4000Y04AW18K999
 PRI COM 480 SEC 24 VAC
 BLK BLK/RED BLU YEL
 50 VA CLASS 2 (ONE COIL)
 50/60HZ CLASS 2
 PRODUCTS UNLIMITED
 MADE IN XXXX XXX
 tyco / Electronics

CUST. NO. - TYCO PART NUMBER 2-1611462-4

THIS DRAWING IS A CONTROLLED DOCUMENT.		DWN: M.DAVIS 10MAR04	Products Tyco Electronics Corporation	
		CHK: K.HOLSCHUH 10MAR04	-WWW.UNLIMITED- Harrisburg, Pa 17105-3608	
		APVD: K.HOLSCHUH 10MAR04	NAME: TRANSFORMER OUTLINE	
DIMENSIONS: INCHES		PRODUCT SPEC: -	-	
TOLERANCES UNLESS OTHERWISE SPECIFIED:		APPLICATION SPEC: -	-	
0 PLC ± -		WEIGHT: -	SIZE: A3	CAGE CODE: 00779
1 PLC ± -			DRAWING NO: C=4000Y04AW18K999	RESTRICTED TO: -
2 PLC ± -				
3 PLC ± -				
4 PLC ± -				
ANGLES ± -				
FINISH: -		CUSTOMER DRAWING		
		SCALE: NTS	SHEET: 1 OF 1	REV: A