

Type 3 surge protection device - MT-2PE/S-120AC - 2788935

Please be informed that the data shown in this PDF Document is generated from our Online Catalog. Please find the complete data in the user's documentation. Our General Terms of Use for Downloads are valid (<http://download.phoenixcontact.com>)



DIN rail module with surge protection for power supply units, optical power and fault display, for mounting on NS 35/7.5. Nominal voltage: 120 V AC, housing width: 50 mm.

The illustration shows version MT 2-PE/S-230 AC



Key commercial data

Packing unit	1
Minimum order quantity	5
GTIN	 4 017918 071981
Custom tariff number	85363010
Country of origin	GERMANY

Technical data

Standards

Housing material	PA
Inflammability class according to UL 94	V0
Color	black
Degree of protection	IP20
Design	Rail-mountable module, one-piece
Mounting type	DIN rail: 35 mm
Number of positions	2
Ambient temperature (operation)	-25 °C ... 75 °C
Direction of action	1L-N & N-PE
Width	50 mm
Height	77.5 mm
Depth	63 mm

Protective circuit

Nominal voltage UN	120 V AC
Arrester rated voltage UC (L-PE)	150 V AC
Nominal frequency fN	50 Hz

Type 3 surge protection device - MT-2PE/S-120AC - 2788935

Technical data

Protective circuit

Nominal frequency fN	60 Hz
Nominal current IN	16 A (40°C)
Operating effective current IC at UC	≤ 7 mA
Ground conductor current IPE	≤ 1 μA
Nominal discharge surge current In (8/20) μs (L-N)	2.5 kA
Nominal discharge surge current In (8/20) μs (L-PE)	2.5 kA
Max. discharge surge current I _{max} (8/20) μs maximum (L-N)	6.5 kA
Max. discharge surge current I _{max} (8/20) μs maximum (L-PE)	6.5 kA
Protection level UP (L-N)	≤ 0.7 kV
Protection level UP (L-PE)	≤ 1.4 kV
Response time tA (L-N)	≤ 25 ns
Response time tA (L-PE)	≤ 100 ns
Max. required back-up fuse	16 A (gL)
Message: Surge protection fault	Optical, remote indicator contact

Non-heating apparatus connection, power supply

Connection method	Screw connection
Connection type IN	Screw terminal blocks
Connection type OUT	Screw terminal blocks
Screw thread	M3
Tightening torque	0.5 Nm
Stripping length	8 mm
Conductor cross section stranded min.	0.2 mm ²
Conductor cross section stranded max.	2.5 mm ²
Conductor cross section solid min.	0.2 mm ²
Conductor cross section solid max.	4 mm ²
Conductor cross section AWG/kcmil min.	24
Conductor cross section AWG/kcmil max	12

Remote indicator contact

Connection name	Remote fault indicator contact
Switching function	N/C contact
Maximum operating voltage U _{max} . AC	250 V AC
Max. operating current I _{max}	1 A

Classifications

eclass

eCl@ss 4.0	27140201
eCl@ss 4.1	27130801
eCl@ss 5.0	27130801
eCl@ss 5.1	27130801
eCl@ss 6.0	27130806
eCl@ss 7.0	27130806

Type 3 surge protection device - MT-2PE/S-120AC - 2788935

Classifications

etim

ETIM 2.0	EC000942
ETIM 3.0	EC000942
ETIM 4.0	EC000942

unspsc

UNSPSC 6.01	30212010
UNSPSC 7.0901	39121610
UNSPSC 11	39121610
UNSPSC 12.01	39121610
UNSPSC 13.2	39121620

Approvals

Approvals

Approvals

GOST / GOST

Ex Approvals

Approvals submitted

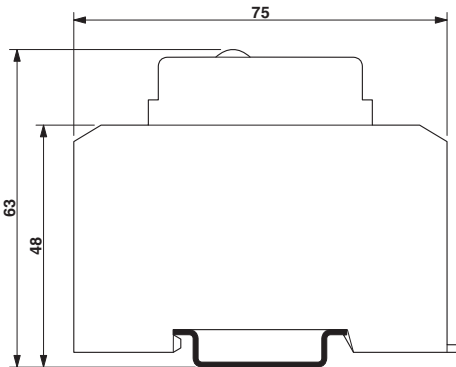
Approval details



Drawings

Type 3 surge protection device - MT-2PE/S-120AC - 2788935

Dimensioned drawing



Circuit diagram

