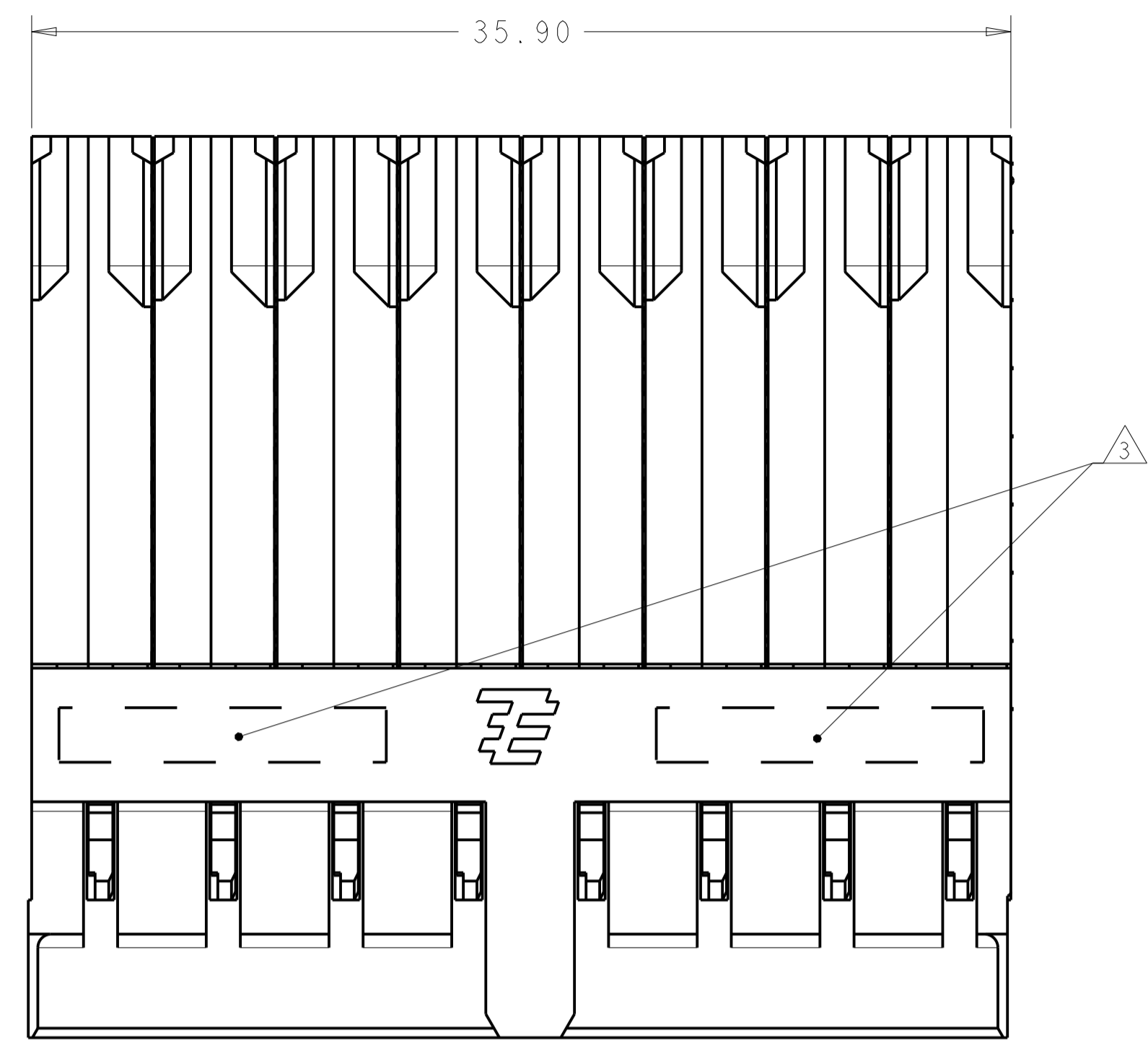
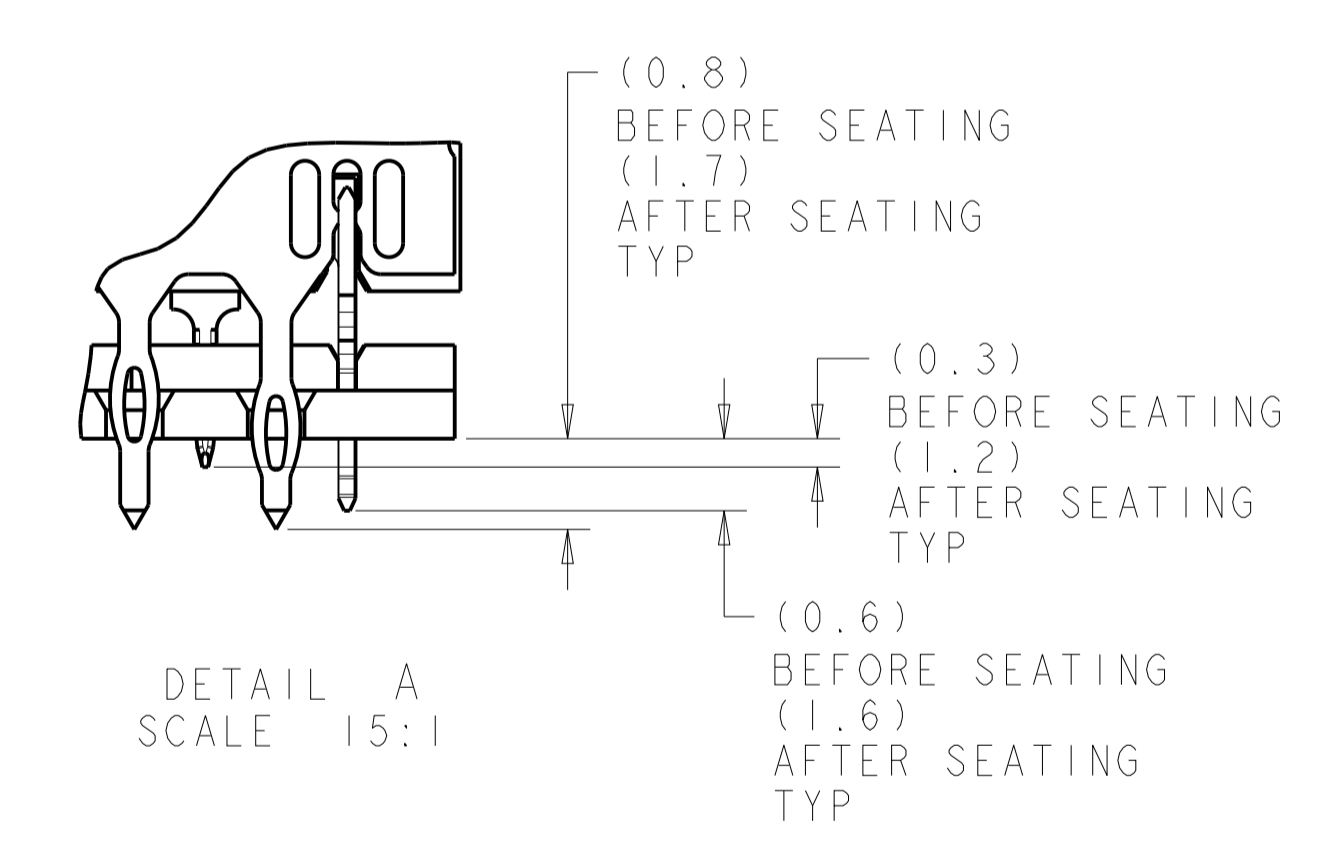
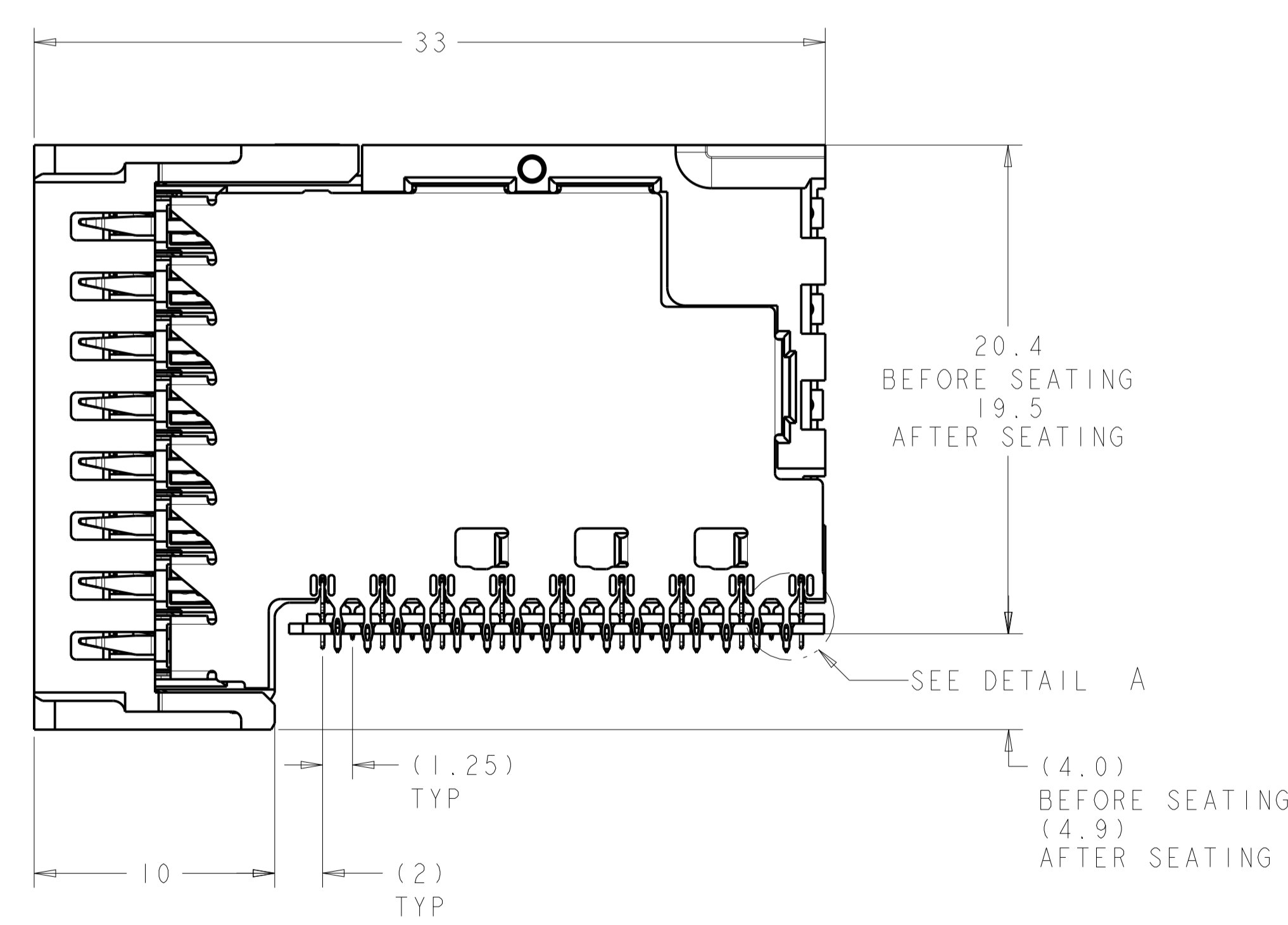
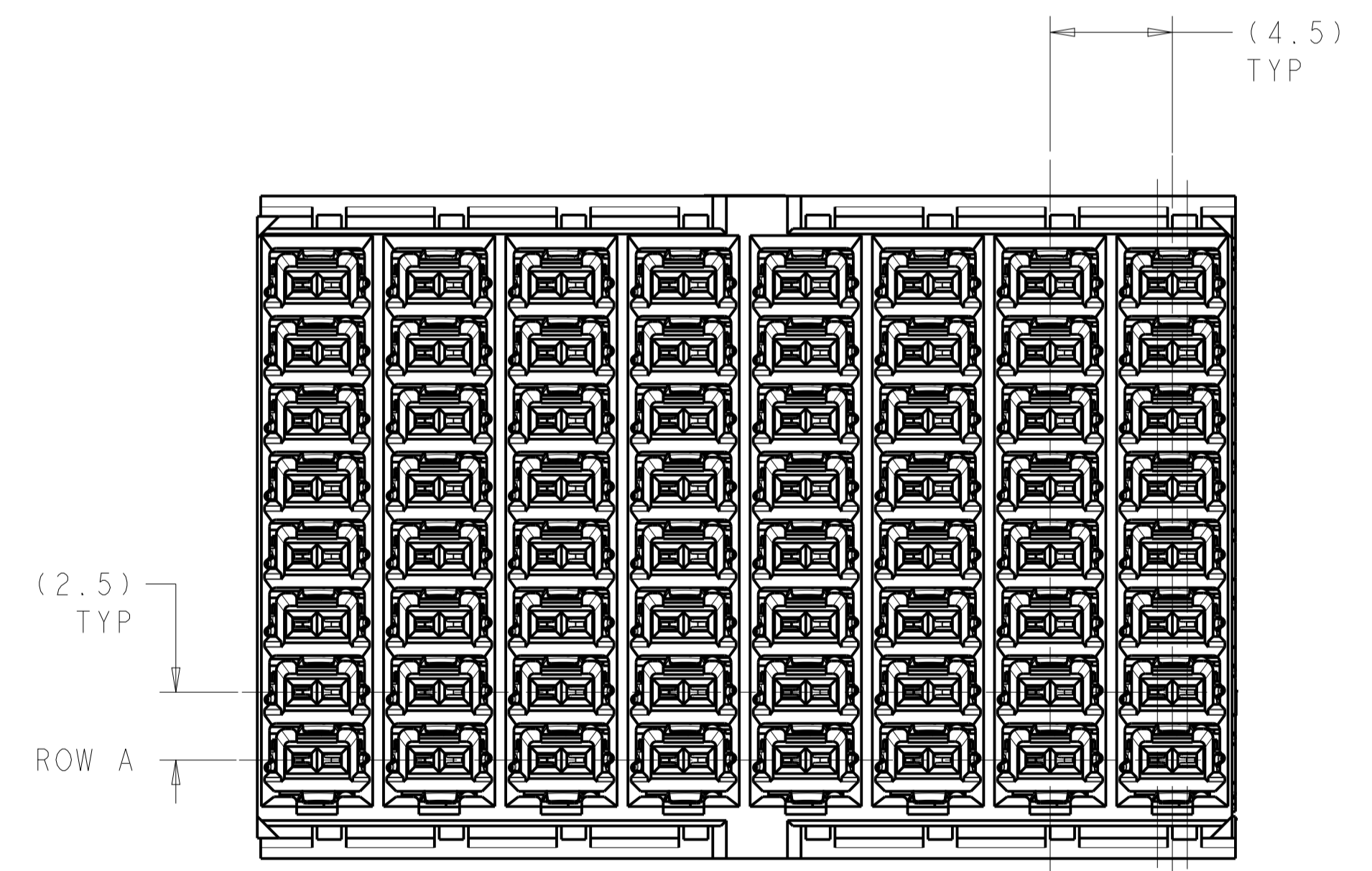


LOC	DIST	REVISIONS			
P	LTN	DESCRIPTION	DATE	DWN	APVD
A		RELEASED	23MAR2014	RT	NS
B		REV PER ECO-14-010320	07JUL2014	LAW	NW



- 1 MATERIAL:
CONTACT AND SHIELD - COPPER ALLOY.
HOUSINGS, AND ORGANIZER - THERMOPLASTIC, UL 94V-0, BLACK.
- 2 CONFORMS TO REQUIREMENTS OF TE PRODUCT SPECIFICATION 108-2413 & 108-32037, BASED ON TELCORDIA GR-1217-CORE FOR SYSTEM QUALITY LEVEL III; APPLICATIONS IN CONTROLLED ENVIRONMENTS (CENTRAL OFFICE).
- 3 CONNECTOR MARKED WITH PART NUMBER, DATE CODE, MANUFACTURING LOCATION IDENTIFICATION CODE, AND 2D BARCODE IN APPROXIMATE AREA SHOWN.
- 4 CONTACT AREA LUBRICATED WITH BELLCORE APPROVED LUBRICANT. TECHNICAL REFERENCE: GR-1217-CORE, ISSUE 2, DECEMBER 2008.
- 5 PLATED THRU HOLE REQUIREMENTS:
FINISHED HOLE = $\varnothing 0.344 \pm 0.039$
DRILLED HOLE = $\varnothing 0.420 \pm 0.013$
COPPER THICKNESS = 0.038 ± 0.013
IMMERSION TIN IF APPLICABLE = 0.00051 ± 0.00013
- 6 PLATED THRU HOLE REQUIREMENTS:
FINISHED HOLE = $\varnothing 0.244 \pm 0.039$
DRILLED HOLE = $\varnothing 0.320 \pm 0.013$
COPPER THICKNESS = 0.038 ± 0.013
IMMERSION TIN IF APPLICABLE = 0.00051 ± 0.00013
- 7 PTH DIMENSIONS APPLY TO 1.00mm DEPTH FROM MOUNT SIDE OF PCB.
- 8 HOLE POSITION TOLERANCE APPLIES WITHIN PATTERN FOR CONNECTOR PATTERN TO CONNECTOR PATTERN, A $0.12 \varnothing$ POSITION TOLERANCE APPLIES.



TIN	2198264-3
TIN LEAD	2198264-1
PRESS FIT TAIL PLATING	PART NO

OBSELETE

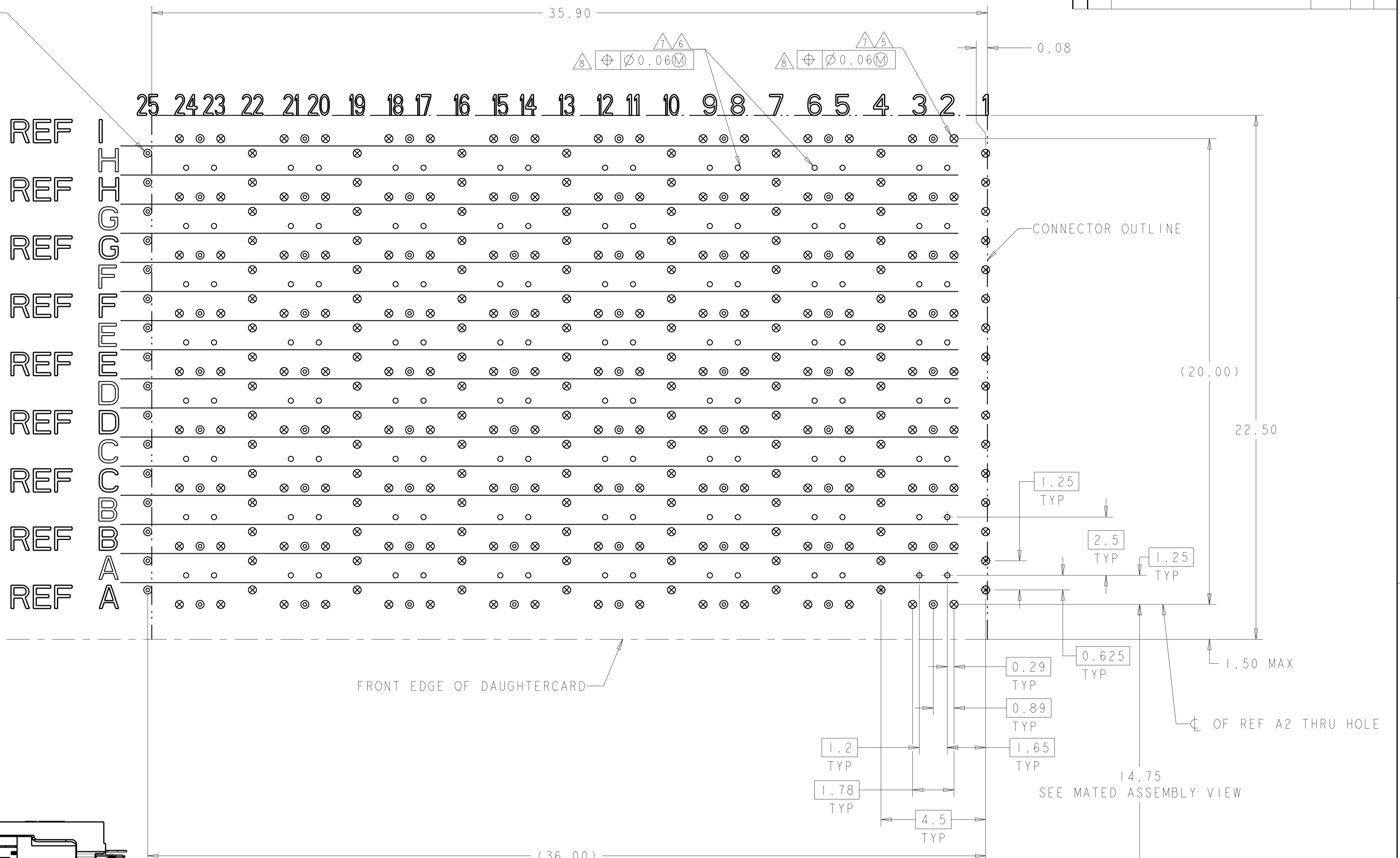
THIS DRAWING IS A CONTROLLED DOCUMENT.

DIMENSIONS:	TOLERANCES UNLESS OTHERWISE SPECIFIED:	DWN R. THOMPSON 29NOV2011	NAME
mm	0 PLC ± 0.2	CHK N. SWANGER 29NOV2011	RECEPTACLE ASSEMBLY,
	1 PLC ± 0.2	APVD N. SWANGER 29NOV2011	8 PAIR 8 COLUMN, RIGHT ANGLE,
	2 PLC ± 0.08	PRODUCT SPEC	4.5mm PITCH, STRADA WHISPER 360
	3 PLC ± 0.08	APPLICATION SPEC	SIZE CAGE CODE DRAWING NO RESTRICTED TO
	4 PLC ± 0.13	114-13301	A100779C=2198264
	ANGLES \pm	WEIGHT	SCALE 5:1 SHEET 1 OF 2 REV B
MATERIAL	FINISH	Customer Drawing	

SEE TABLE

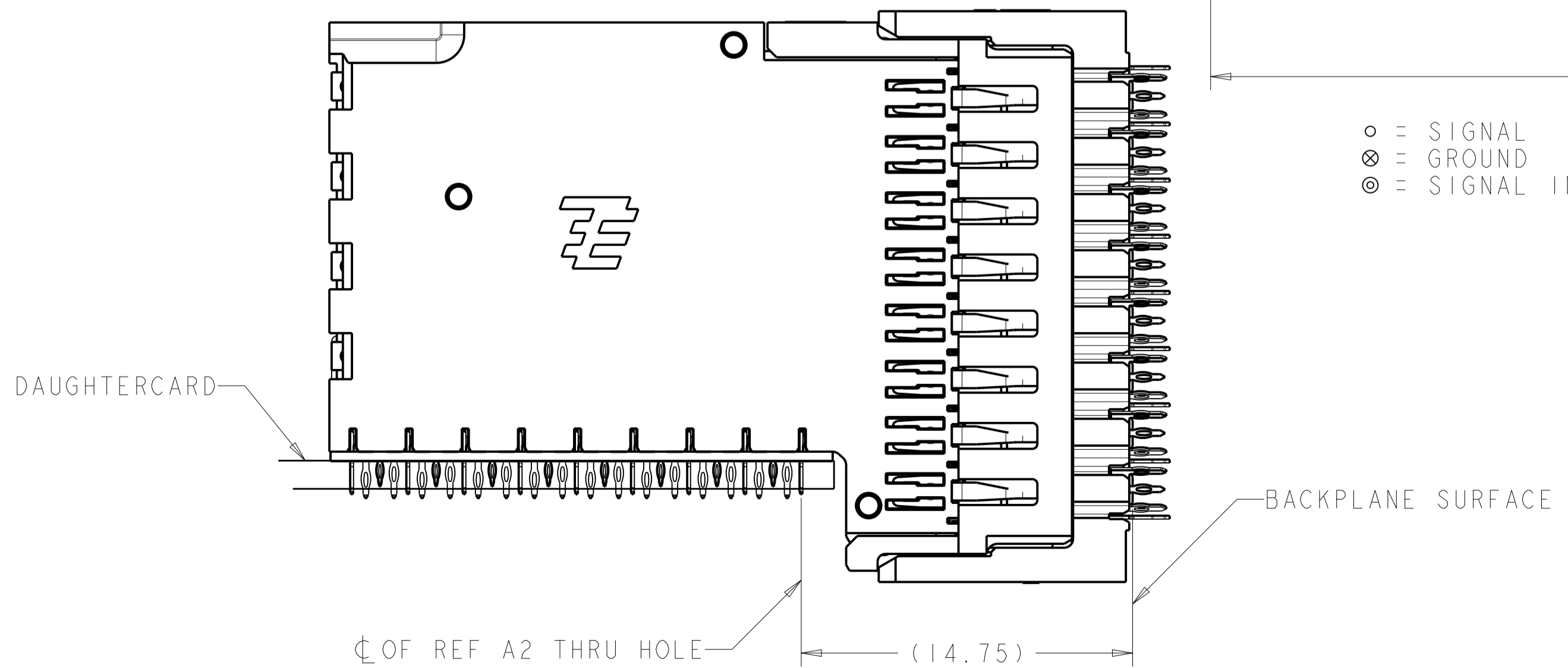
LOC	DIST	REV	DATE	BY	APPV
GP	00				

FOOTPRINT SHOWN IS FOR SINGLE MODULE APPLICATION. WHEN CONNECTORS ARE STACKED SIDE BY SIDE, THESE SI VIAS ARE USED AS GROUNDS BY THE NEXT CONNECTOR



- = SIGNAL
- ⊗ = GROUND
- ⊙ = SIGNAL INTEGRITY VIA TO GROUND

PCB LAYOUT COMPONENT SIDE SHOWN SCALE 10:1



MATED ASSEMBLY VIEW SCALE 5:1

THIS DRAWING IS A CONTROLLED DOCUMENT.		OWN R. THOMPSON 29NOV2011	 TE Connectivity
DIMENSIONS: mm		CHK N. SWANGER 29NOV2011	
TOLERANCES UNLESS OTHERWISE SPECIFIED:		APVD N. SWANGER 29NOV2011	NAME RECEPTACLE ASSEMBLY, 8 PAIR 8 COLUMN, RIGHT ANGLE, 4.5mm PITCH, STRADA WHISPER 360
0 PLC ±0.2	1 PLC ±0.2	PRODUCT SPEC	SIZE 114-13301
2 PLC ±0.08	3 PLC ±0.08	APPLICATION SPEC	WEIGHT
4 PLC ±0.13	5 PLC ±0.13	FINISH	RESTRICTED TO
ANGLES ±°		SEE TABLE	SCALE 5:1 SHEET 2 OF 2 REV B
MATERIAL		Customer Drawing	