

4

3

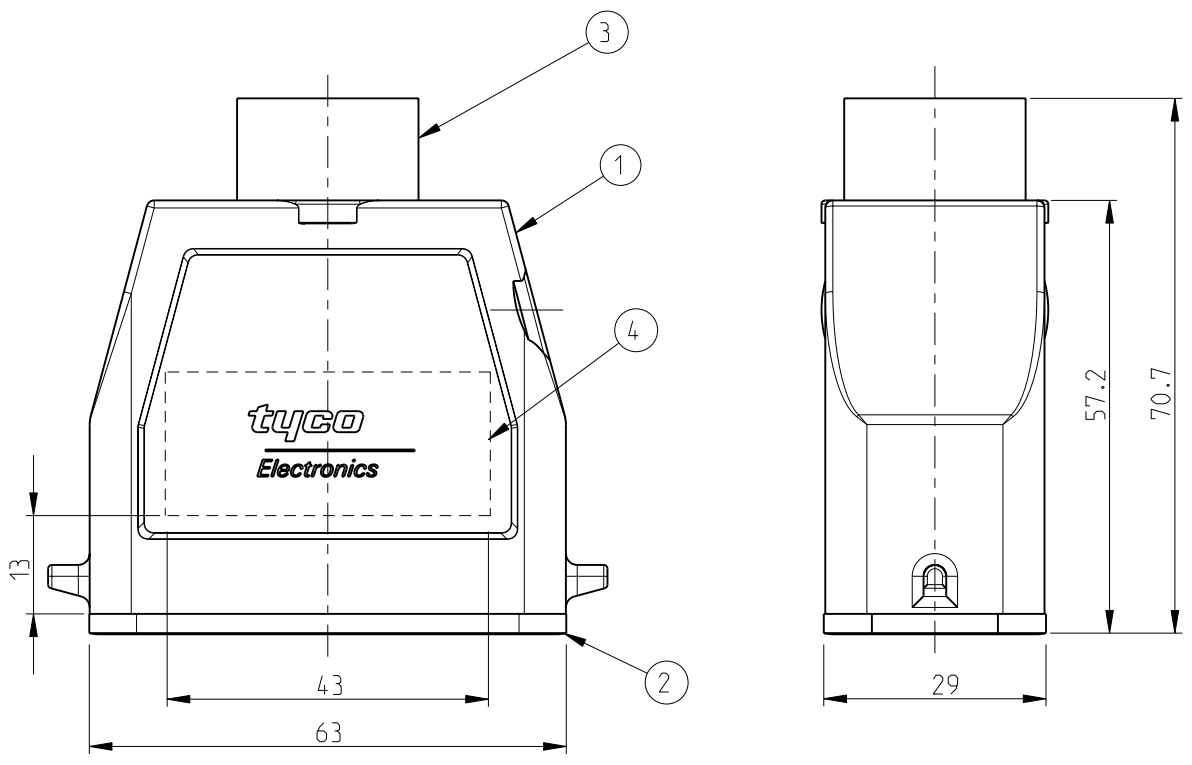
2

1

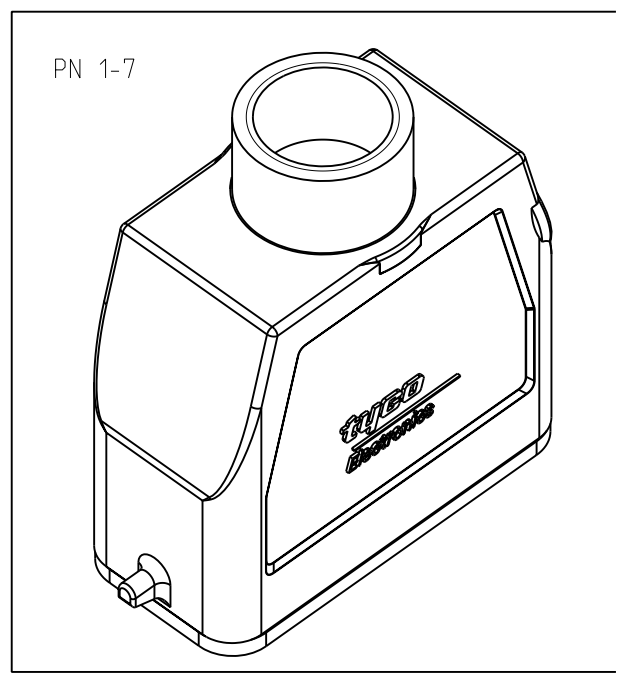
THIS DRAWING IS UNPUBLISHED. RELEASED FOR PUBLICATION 2000
 © COPYRIGHT 2000 BY TYCO ELECTRONICS CORPORATION. ALL RIGHTS RESERVED.

LOC	DIST	REVISIONS					
		P	LTR	DESCRIPTION	DATE	DWN	APVD
A1	-		B3	ECR-10-016845	12AUG2010	-	-

PN 1-7



- NOTES
- 1 PACKAGING
PACKAGING QUANTITY:5 PIECES PER BOX
 - 2 MATERIAL:HOUSING ALUMINIUM DIECASTING ALLOY
SEALS:NEOPRENE
 - 3 SURFACE:VARNISH-GREY
 - 4 VARNISH ON THE INSIDE NOT NECESSARY



1-7	DESCRIPTION	MATERIAL	SURFACE	COLOR	ITEM NO	REMARKS
2	INSULATING TAPE	COROPLAST TYP 303	-	GREY	4	PVC-SOFT
1	ADAPTOR ROUND	BRASS	NICKEL PLATED	BLUE	3	PG16
1	PROFILE SEAL	NEOPRENE	-	BLACK	2	-
1	HA,HOOD	ALUMINIUM	-	GREY	1	-
1-7	DESCRIPTION	MATERIAL	SURFACE	COLOR	ITEM NO	REMARKS
HA.10.STO.1.16.Z 3 PACKAGING						

THIS DRAWING IS A CONTROLLED DOCUMENT FOR TYCO ELECTRONICS CORPORATION
 IT IS SUBJECT TO CHANGE AND THE CONTROLLING ENGINEERING ORGANIZATION
 SHOULD BE CONTACTED FOR THE LATEST REVISION.

DIMENSIONS: mm	TOLERANCES UNLESS OTHERWISE SPECIFIED: n,ISO 2768-mH-E; DIN 96901-120
	0 PLC ± 1 PLC ± 2 PLC ± 3 PLC ± 4 PLC ± ANGLES ± -
MATERIAL	FINISH
2	3

DWN	S.KUMAR	2/24/2006	Tyco Electronics, AMP.GmbH 53757 Sankt Augustin, Germany		
CHK	R.SRINIVAS	2/24/2006	NAME		
APVD	T.SCHNURPFIL	2/24/2006	HOOD HA.10.STO.1.16.Z		
PRODUCT SPEC	108-74009		SIZE	CAGE CODE	DRAWING NO
APPLICATION SPEC	114-74001		A3	00779	1102119
WEIGHT	-		RESTRICTED TO		
CUSTOMER DRAWING			SCALE	1:1	SHEET 1 OF 1
			REV B3		