

Customer Information Sheet

DRAWING No.: Z9953-00

IF IN DOUBT - ASK

©

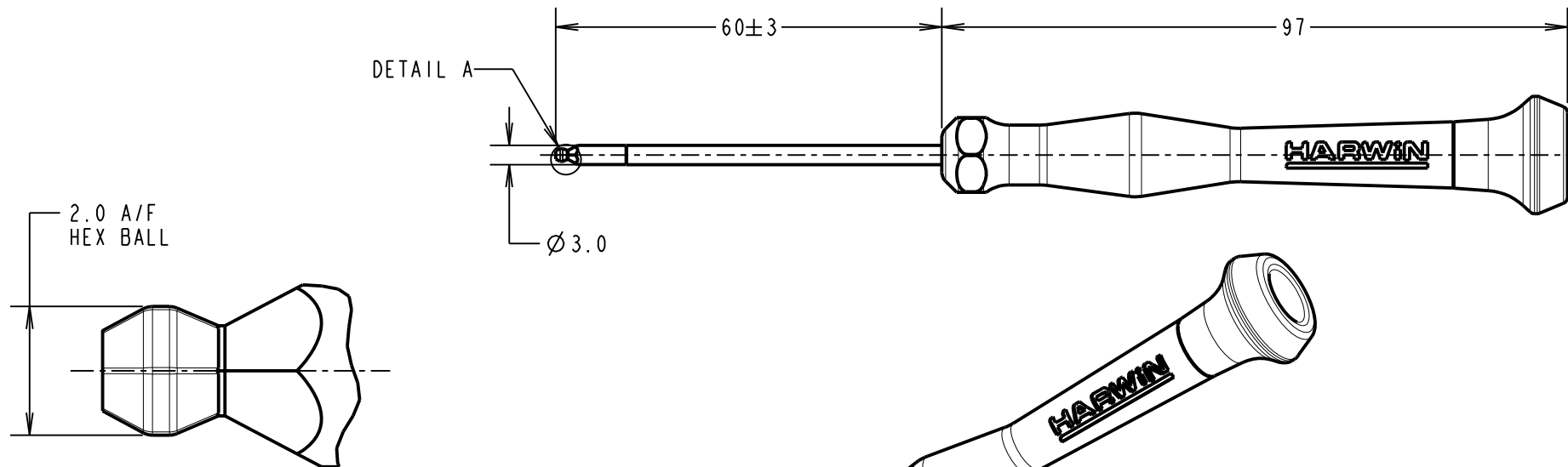
NOT TO SCALE

THIRD ANGLE PROJECTION

ALL DIMENSIONS IN mm

SPECIFICATION:

HANDLE: BLACK POLYMER WITH ROTATING TOP.
 BLADE: NICKEL PLATED METAL WITH BLACK TIP.



DETAIL A (SCALE 10)

MGP	1	10.01.17	----
NAME	ISS.	DATE	C/NOTE
APPROVED: MGP			
CHECKED: MSP			
DRAWN: MARK G PLESTED			
CUSTOMER REF.:			
ASSEMBLY DRG:			

NOTES:

- FOR USE WITH DATAMATE J-TEK, AND MIX-TEK WITH HEXAGON JACK, REVERSE FIX AND 101-LOK SCREWS. ALSO USED FOR M300 HEXAGON JACK SCREWS.

HARWIN

www.harwin.com
 technical@harwin.com

THIS DRAWING AND ANY INFORMATION OR DESCRIPTIVE MATTER SET OUT HEREON ARE CONFIDENTIAL AND COPYRIGHT PROPERTY OF THE HARWIN GROUP AND MUST NOT BE DISCLOSED, LOANED, COPIED OR USED FOR MANUFACTURING, TENDERING OR FOR ANY OTHER PURPOSE WITHOUT THEIR WRITTEN PERMISSION.

TOLERANCES
 X. = ±1mm
 X.X = ±0.50mm
 X.XX = ±0.10mm
 X.XXX = ±0.01mm
ANGLES = ±5°
 UNLESS STATED

MATERIAL:

SEE ABOVE

FINISH: SEE ABOVE

S/AREA: mm²

TITLE:

BALL HEX DRIVER
 2.0mm x 60mm

DRAWING NUMBER:

Z9953-00

SHT

2 OF 2