



HIRSCHMANN

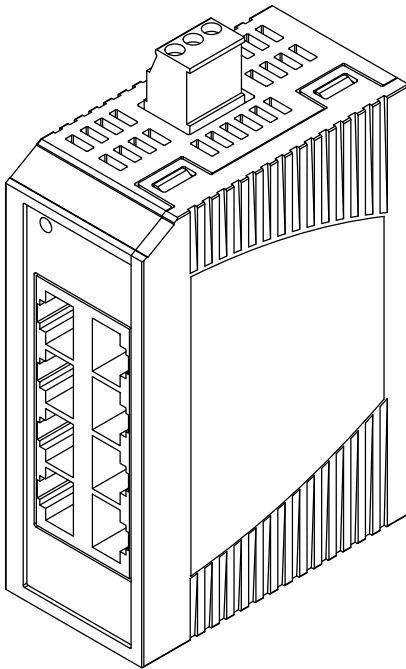
A **BELDEN** BRAND

User Manual

Installation

Industrial Ethernet Rail Switch

SPIDER-SL-40-08T1



The naming of copyrighted trademarks in this manual, even when not specially indicated, should not be taken to mean that these names may be considered as free in the sense of the trademark and tradename protection law and hence that they may be freely used by anyone.

© 2015 Hirschmann Automation and Control GmbH

Manuals and software are protected by copyright. All rights reserved. The copying, reproduction, translation, conversion into any electronic medium or machine scannable form is not permitted, either in whole or in part. An exception is the preparation of a backup copy of the software for your own use. For devices with embedded software, the end-user license agreement on the enclosed CD/DVD applies.

The performance features described here are binding only if they have been expressly agreed when the contract was made. This document was produced by Hirschmann Automation and Control GmbH according to the best of the company's knowledge. Hirschmann reserves the right to change the contents of this document without prior notice. Hirschmann can give no guarantee in respect of the correctness or accuracy of the information in this document.

Hirschmann can accept no responsibility for damages, resulting from the use of the network components or the associated operating software. In addition, we refer to the conditions of use specified in the license contract.

You can get the latest version of this manual on the Internet at the Hirschmann product site (www.hirschmann.com).

Hirschmann Automation and Control GmbH
Stuttgarter Str. 45-51
72654 Neckartenzlingen
Germany
Tel.: +49 1805 141538

Contents

	Safety instructions	4
	About this Manual	9
	Legend	9
1	Description	10
1.1	General device description	10
1.2	Device name and product code	11
1.3	Device view	12
1.4	Power supply	12
1.5	10/100/1000 Mbit/s twisted pair port	13
1.6	Pin assignments	13
1.7	Display elements	14
	1.7.1 Device state	14
	1.7.2 Port state	14
2	Installation	15
2.1	Checking the package contents	15
2.2	Mounting the device	16
2.3	Wiring the terminal block for the supply voltage and the grounding	17
2.4	Operating the device	18
2.5	Connecting data cables	18
3	Monitoring the ambient air temperature	19
4	Maintenance and service	20
5	Disassembly	21
6	Technical data	22
A	Further Support	27

Safety instructions



WARNING

UNCONTROLLED MACHINE ACTIONS

To avoid uncontrolled machine actions caused by data loss, configure all the data transmission devices individually.

Before you start any machine which is controlled via data transmission, be sure to complete the configuration of all data transmission devices.

Failure to follow these instructions can result in death, serious injury, or equipment damage.

■ General safety instructions

You operate this device with electricity. Improper usage of the device entails the risk of physical injury or significant property damage. The proper and safe operation of this device depends on proper handling during transportation, proper storage and installation, and careful operation and maintenance procedures.

- Before connecting any cable, read this document, and the safety instructions and warnings.
- Operate the device with undamaged components exclusively.
- The device is free of any service components. In case of a damaged or malfunctioning the device, turn off the supply voltage and return the device to Hirschmann for inspection.

■ Certified usage

- Use the product only for the application cases described in the Hirschmann product information, including this manual.
- Operate the product only according to the technical specifications. [See "Technical data" on page 22.](#)
- Connect to the product only components suitable for the requirements of the specific application case.

■ Installation site requirements

- Install the device in a fire enclosure according to EN 60950-1.

■ **Device casing**

Only technicians authorized by the manufacturer are permitted to open the casing.

- Never insert pointed objects (narrow screwdrivers, wires, etc.) into the device or into the connection terminals for electric conductors. Do not touch the connection terminals.
- Keep the ventilation slits free to ensure good air circulation.
[See “General technical data” on page 22.](#)
- Install the device in the vertical position.

■ **Qualification requirements for personnel**

Only allow qualified personnel to work on the device.

Qualified personnel have the following characteristics:

- ▶ Qualified personnel are properly trained. Training as well as practical knowledge and experience make up their qualifications. This is the prerequisite for grounding and labeling circuits, devices, and systems in accordance with current standards in safety technology.
- ▶ Qualified personnel are aware of the dangers that exist in their work.
- ▶ Qualified personnel are familiar with appropriate measures against these hazards in order to reduce the risk for themselves and others.
- ▶ Qualified personnel receive training on a regular basis.

■ **National and international safety regulations**

Verify that the electrical installation meets local or nationally applicable safety regulations.

■ **Grounding the device**

The device is grounded by means of a 3-pin terminal block.

- Use a wire diameter for the ground conductor that is no smaller than the diameter of the supply voltage connection, however of at least 0.5 mm² (AWG20).

■ **Shielding ground**

The shielding ground of the connectable twisted pair cables is connected to the ground connection as a conductor.

- Beware of possible short circuits when connecting a cable section with conductive shielding braiding.

■ **Requirements for connecting electrical wires**

Before connecting the electrical wires, **always** verify that the requirements listed are complied with.

General requirements for connecting electrical wires

The following requirements apply without restrictions:

- ▶ The electrical wires are voltage-free.
- ▶ The cables used are permitted for the temperature range of the application case.
- ▶ The voltage connected complies with the requirements for a safety extra-low voltage (SELV) as per IEC/EN 60950-1.
- ▶ Relevant for North America:
Use 60/75 or 75 °C copper (Cu) wire only.

Requirements for connecting the supply voltage

The following requirements apply without restrictions:

- ▶ The supply voltage corresponds to the voltage specified on the type plate of the device.
- ▶ The power supply conforms to overvoltage category I or II.
- ▶ The power supply has an easily accessible disconnecting device (e.g., a switch or a plug). This disconnecting device is clearly identified. So in the case of an emergency, it is clear which disconnecting device belongs to which power supply cable.
- ▶ The power supply cable is suitable for the voltage, the current and the physical load. Hirschmann recommends a wire diameter of 0.5 mm² (AWG20).
- ▶ The cross-section of the ground conductor is the same size as or bigger than the cross-section of the power supply cables.

The following requirements apply alternatively:

Alternative 1 The power supply complies with the requirements for a limited power source (LPS) as per EN 60950-1.

Alternative 2 **All** of the following requirements are complied with:

- ▶ The powersupply complies with the requirements for a safety extra-low voltage (SELV) as per IEC/EN 60950-1.
- ▶ A fuse suitable for DC voltage is located in the plus conductor of the power supply.
The minus conductor is on ground potential. Otherwise, a fuse is also located in the minus conductor.
Regarding the properties of this fuse: [See "General technical data" on page 22.](#)

Alternative 3 Relevant for North America:
The power supply complies with the requirements as per NEC Class 2

■ Supply voltage

The supply voltage is only connected with the ground connection via protective elements.

■ CE marking

The labeled devices comply with the regulations contained in the following European directive(s):

2011/65/EU (RoHS)

Directive of the European Parliament and of the Council on the restriction of the use of certain hazardous substances in electrical and electronic equipment.

2004/108/EC (EMC)

Directive of the European Parliament and the council for standardizing the regulations of member states with regard to electromagnetic compatibility.

In accordance with the above-named EU directive(s), the EU conformity declaration will be available to the relevant authorities at the following address:

Hirschmann Automation and Control GmbH
Stuttgarter Str. 45-51
72654 Neckartenzlingen
Germany
Tel.: +49 1805 141538

The device can be used in the industrial sector.

▶ Interference immunity: EN 61000-6-2

▶ Emitted interference: EN 55022

You find more information on technical standards here:

[“Technical data” on page 22](#)

The assembly guidelines provided in these instructions must be strictly adhered to in order to observe the EMC threshold values.

Warning! This is a class A device. This device can cause interference in living areas, and in this case the operator may be required to take appropriate measures.

■ **FCC note:**

This device complies with part 15 of the FCC rules. Operation is subject to the following two conditions: (1) this device may not cause harmful interference; (2) this device must accept any interference received, including interference that may cause undesired operation.

Appropriate testing has established that this device fulfills the requirements of a class A digital device in line with part 15 of the FCC regulations.

These requirements are designed to provide sufficient protection against interference when the device is being used in a business environment.

The device creates and uses high frequencies and can also radiate these frequencies. If it is not installed and used in accordance with this operating manual, it can cause radio transmission interference. The use of this device in a residential area can also cause interference, and in this case the user is obliged to cover the costs of removing the interference.

■ **Recycling note**




After usage, this device must be disposed of properly as electronic waste, in accordance with the current disposal regulations of your county, state, and country.

About this Manual

The “Installation User Manual” document contains a device description, safety instructions, a display description and further information that you require to install the device.

Legend

The symbols used in this manual have the following meanings:

	Listing
	Work step
	Subheading

1 Description

1.1 General device description

The SPIDER-SL-40-08T1 devices are designed for the special requirements of industrial automation. They meet the relevant industry standards, provide very high operational reliability, even under extreme conditions, and also long-term reliability and flexibility.

You have the ability to connect end devices or other segments to the ports of the device via twisted-pair cables.

The devices work without a fan.

The device is mounted by latching in place on a DIN rail.

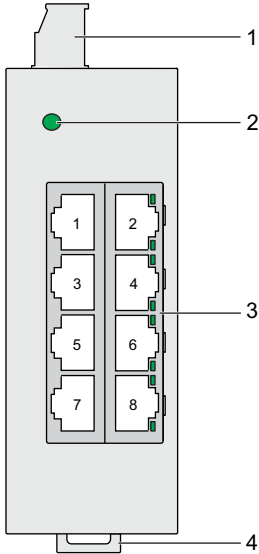
1.2 Device name and product code

The device name corresponds to the product code. The product code is made up of characteristics with defined positions. The characteristic values stand for specific product properties.

Item	Characteristic	Characteristic value	Description
1 ... 9	Product	Spider SL	Spider Standard Line Gigabit Ethernet switch
10	(hyphen)	–	
11	Data rate	4	10/100/1000 Mbit/s
12	Power over Ethernet (PoE)	0	without
13	(hyphen)	–	
14 ... 17	Twisted pair ports	08 T1	8 × RJ45 socket Twisted pair
18 ... 19	Optical fiber port 1	99	without
20 ... 21	Optical fiber port 2	99	without
22 ... 23	Optical fiber port 3	99	without
24	Temperature range	S	Standard 0 °C ... +60 °C (+32 °F ... +140 °F)
25 ... 26	Certificates and declarations	Z9	CE, FCC, EN 61131-2, EN 60950-1
27 ... 28	Customer-specific version	HH	Hirschmann Standard
29 ... 30	Configuration	HH	Hirschmann Standard

Table 1: Device name and product code

1.3 Device view



Overview of the device elements

- | | |
|---|-----------------------------------------------------------------|
| 1 | 3-pin, pluggable terminal block for power supply |
| 2 | LED display element for device status |
| 3 | 8 × RJ45 socket for 10/100/1000 Mbit/s Twisted Pair connections |
| 4 | Rail lock gate for DIN rail mounting |

1.4 Power supply

For the power supply of the device, a 3-pin terminal block is available.

For further information see [“Wiring the terminal block for the supply voltage and the grounding”](#) on page 17.

1.5 10/100/1000 Mbit/s twisted pair port

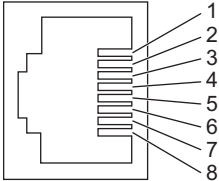
This port is an RJ45 socket.

The 10/100/1000 Mbit/s twisted pair port offers you the ability to connect network components according to the IEEE 802.3 10BASE-T/100BASE-TX/1000BASE-T standard.

This port supports:

- ▶ Autonegotiation
- ▶ Autopolarity
- ▶ Autocrossing
- ▶ 1000 Mbit/s full duplex
- ▶ 100 Mbit/s half-duplex mode, 100 Mbit/s full duplex mode
- ▶ 10 Mbit/s half-duplex mode, 10 Mbit/s full duplex mode

1.6 Pin assignments

RJ45	Pin	10/100 Mbit/s	1000 Mbit/s
	1	TX+	BI_DA+
	2	TX-	BI_DA-
	3	RX+	BI_DB+
	4	—	BI_DC+
	5	—	BI_DC-
	6	RX-	BI_DB-
	7	—	BI_DD+
	8	—	BI_DD-

1.7 Display elements

After the working voltage is set up, the software starts and initializes itself. Afterwards, the device performs a self-test. During this process, various LEDs light up.

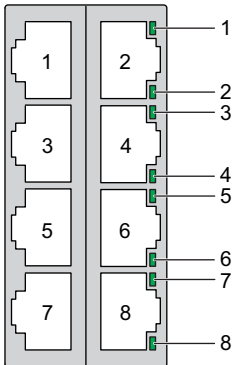
1.7.1 Device state



This LED provides information on the status of the power supply.

Color	Activity	Meaning
Green	Lights up	Supply voltage is on Device is ready for operation
	None	Supply voltage is too low Device is not ready for operation

1.7.2 Port state



This LED shows port-related information.

Color	Activity	Meaning
Green	Lights up	Device detects a valid link
	Flashing	Device is transmitting and/or receiving data
	None	Device detects an invalid or missing link

2 Installation

The devices have been developed for practical application in a harsh industrial environment.

On delivery, the device is ready for operation.

To configure a subdomain, follow these steps:

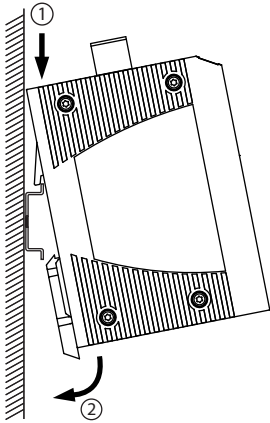
- ▶ [Checking the package contents](#)
- ▶ [Mounting the device](#)
- ▶ [Wiring the terminal block for the supply voltage and the grounding](#)
- ▶ [Operating the device](#)
- ▶ [Connecting data cables](#)

2.1 Checking the package contents

- Check whether the package includes all items named in the section [“Scope of delivery” on page 25](#).
- Check the individual parts for transport damage.

2.2 Mounting the device

The device is for mounting on a 35 mm DIN rail in accordance with DIN EN 60715.



To mount the device onto a horizontally mounted 35 mm DIN rail according to DIN EN 60715, proceed as follows:

- Slide the upper snap-in guide of the device into the DIN rail.
- Press the media module downwards onto the clip-in bar.
- Snap in the device.

2.3 Wiring the terminal block for the supply voltage and the grounding

WARNING

ELECTRIC SHOCK

Connect only a supply voltage that corresponds to the type plate of your device.
Never insert sharp objects (small screwdrivers, wires, etc.) into the connection terminals for the supply voltage, and do not touch the terminals.

Failure to follow these instructions can result in death, serious injury, or equipment damage.

A 3-pin terminal block is used for the grounding and for connecting the supply voltage.

The supply voltage is only connected with the ground connection via protective elements.

The shielding ground of the connectable twisted pair cables is connected to the ground connection as a conductor.

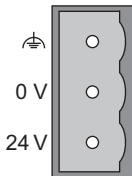


Figure 1: 3-pin, pluggable terminal block for power supply and grounding


Type of the voltages that can be connected	Specification of the supply voltage	Connections
DC voltage	Rated voltage range DC 12 V ... 24 V	24 V Plus terminal of the supply voltage
	Voltage range DC incl. maximum tolerances 9.6 V ... 32 V	0 V Minus terminal of the supply voltage
		 Functional ground connection

Table 2: Type and specification of the supply voltage and pin assignment on the device

Proceed as follows:

- Ensure the required conditions for connecting the supply voltage.
See [“Requirements for connecting electrical wires” on page 5.](#)
- Pull the terminal block off the device.
- Connect the ground connection.
- Connect the power supply cables.
- Plug the terminal block into the connection on the housing.

2.4 Operating the device

By connecting the supply voltage via the terminal block, you start the operation of the device.

2.5 Connecting data cables

Note the following general recommendations for data cable connections in environments with high electrical interference levels:

- ▶ Keep the length of the data cables as short as possible.
 - ▶ Use optical data cables for the data transmission between the buildings.
 - ▶ When using copper cables, provide a sufficient separation between the power supply cables and the data cables. Ideally, install the cables in separate cable channels.
 - ▶ Verify that power supply cables and data cables do not run parallel over longer distances, and that ideally they are installed in separate cable channels. If reducing the inductive coupling is necessary, verify that the power supply cables and data cables cross at a 90° angle.
 - ▶ Use shielded cables (SF/UTP cables as per ISO/IEC 11801:2002).
 - ▶ Beware of possible short circuits when connecting a cable section with conductive shielding braiding.
- Connect the data cables according to your requirements.

3 Monitoring the ambient air temperature

Operate the device below the specified maximum ambient air temperature exclusively.

See [“General technical data” on page 22.](#)

The ambient air temperature is the temperature of the air at a distance of 2 in (5 cm) from the device. It depends on the installation conditions of the device, e.g. the distance from other devices or other objects, and the output of neighboring devices.

4 Maintenance and service

When designing this device, Hirschmann largely avoided using high-wear parts. The parts subject to wear and tear are dimensioned to last longer than the lifetime of the product when it is operated normally. Operate this device according to the specifications.

Depending on the degree of pollution in the operating environment, check at regular intervals that the ventilation slots in the device are not obstructed.



CAUTION

RISK OF TRANSIENTS OR ELECTROSTATIC DISCHARGES

Do not open the housing.

Failure to follow these instructions can result in injury or equipment damage.

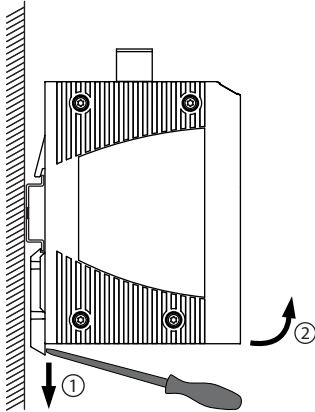
Note: You will find information about the complaints and returns procedures on the Internet under

<http://www.beldensolutions.com/en/Service/Repairs/index.phtml> .

5 Disassembly

Proceed as follows:

- Disconnect the data cables.
- Disable the supply voltage.
- Remove the power connector from the device.
- Use a screwdriver to pull the rail lock gate downwards.
- Pull the device downwards from the DIN rail module.



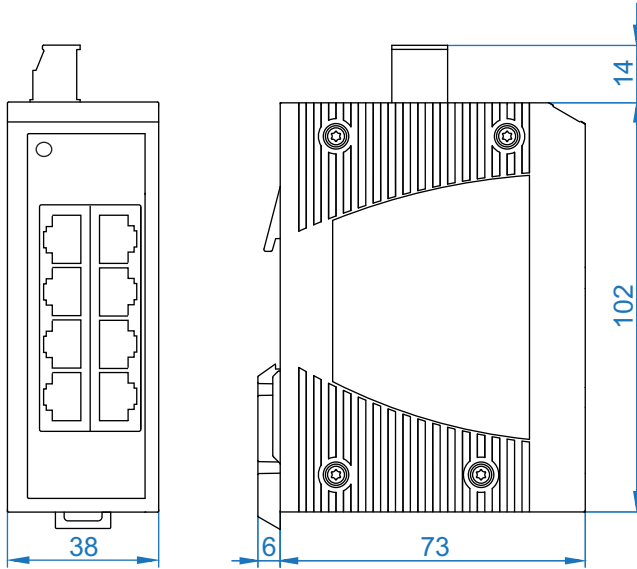
6 Technical data

■ General technical data

Dimensions W × H × D	SPIDER-SL-40-08T1	See "Dimension drawings" on page 23.
Weight	SPIDER-SL-40-08T1	170 g
Power supply	▶ 1 voltage input	
	▶ 3-pin terminal block	
	▶ Safety extra-low voltage (SELV)	
	Rated voltage range DC	12 V ... 24 V Class 2
	Voltage range DC incl. maximum tolerances	9.6 V ... 32 V
	Current consumption at 24 V DC	0.2 A
	Power loss buffer	10 ms at 20.4 V DC
	Back-up fuse	≤ 4 A, slow blow
Peak inrush current	4 A	
Potential difference between incoming voltage and housing	Potential difference from incoming voltage +24 V DC	+32 V DC
	Potential difference from incoming voltage, ground	-32 V DC
Climatic conditions during operation	Ambient air temperature ^a	+32 °F ... +140 °F (0 °C ... +60 °C)
	Humidity	10 % ... 95 % (non-condensing)
	Air pressure	minimum 795 hPa (+9842 ft; +2000 m)
Climatic conditions during storage	Ambient air temperature ^a	-40 °F ... +158 °F (-40 °C ... +70 °C)
	Humidity	10 % ... 95 % (non-condensing)
	Air pressure	minimum 700 hPa (+9842 ft; +3000 m)
Pollution degree		2
Protection classes	Degree of protection	IP 30

a. Temperature of the ambient air at a distance of 2 inches (5 cm) from the device

■ Dimension drawings



■ EMC and immunity

EMC interference emission

Radiated emission

FCC 47 CFR Part 15	Class A
EN 55022	Class A

Conducted emission

FCC 47 CFR Part 15	Class A
EN 55022	Class A

EMC interference immunity

Electrostatic discharge

EN 61000-4-2 IEEE C37.90.3	Contact discharge	± 4 kV
EN 61000-4-2 IEEE C37.90.3	Air discharge	± 8 kV

Electromagnetic field

EN 61000-4-3	80 MHz ... 1000 MHz	10 V/m
--------------	---------------------	--------

Fast transients (burst)

EN 61000-4-4 IEEE C37.90.1	DC supply connection	2 kV
EN 61000-4-4 IEEE C37.90.1	Data line	4 kV

Voltage surges - DC supply connection

EN 61000-4-5	line/ground	2 kV
EN 61000-4-5	line/line	1 kV

Voltage surges - data line

EN 61000-4-5	line/ground	1 kV
--------------	-------------	------

Conducted disturbances

EN 61000-4-6	150 kHz ... 80 MHz	10 V
--------------	--------------------	------

Stability

IEC 60068-2-6, test Fc	Vibration	5 Hz ... 8.4 Hz with 3.5 mm amplitude 8.4 Hz ... 150 Hz with 1 g
IEC 60068-2-27, test Ea	Shock	15 g at 11 ms

■ Network range

10/100/1000 Mbit/s twisted pair port

Length of a twisted pair segment	max. 100 m (for cat5e cable)
----------------------------------	------------------------------

■ Power consumption/power output at 24 V DC

Device name	Max. power consumption	Power output
SPIDER-SL-40-08T1	4.8 W	16.4 Btu (IT)/h

■ Scope of delivery

Number	Article
1 ×	Device
1 ×	3-pin, pluggable terminal block for power supply
1 ×	Safety Information

■ Order number

Device	Order number
SPIDER-SL-40-08T1	942 132-004

■ Accessories

Note that products recommended as accessories may have different characteristics to those of the device, which may limit the application range of the overall system. For example, if you add an accessory with IP 20 to a device with IP 65, the IP of the overall system is reduced to 20.

Other accessories	Order number
3-pin Low Voltage Interlock terminal block (50 pcs.)	943 845-005
Rail Power Supply RPS 30	943 662-003
Rail Power Supply RPS 80 EEC	943 662-080
Rail Power Supply RPS 120 EEC (CC)	943 662-121

■ Underlying technical standards

Name	
CSA C22.2 No. 142	Canadian National Standard(s) – Process Control Equipment – Industrial Products
EN 55022	Information technology equipment – Radio disturbance characteristics – Limits and methods of measurement
EN 60950-1	Information technology equipment – Safety – Part 1: General requirements
EN 61000-6-2	Electromagnetic compatibility (EMC) – Part 6-2: Generic standards – Immunity for industrial environments
EN 61131-2	Programmable controllers – Part 2: Equipment requirements and tests
FCC 47 CFR Part 15	Code of Federal Regulations
UL/IEC 61010-1, UL/IEC 61010-2-201	Safety for Control Equipment

Table 3: List of the technical standards

The device has an approval based on a specific standard only if the approval indicator appears on the device casing.

The device generally fulfills the technical standards named in their current versions.

A Further Support

■ Technical Questions

For technical questions, please contact any Hirschmann dealer in your area or Hirschmann directly.

You will find the addresses of our partners on the Internet at <http://www.hirschmann.com>

Contact our support at <https://hirschmann-support.belden.eu.com>

You can contact us

in the EMEA region at

- ▶ Tel.: +49 (0)1805 14-1538
- ▶ E-mail: hac.support@belden.com

in the America region at

- ▶ Tel.: +1 (717) 217-2270
- ▶ E-mail: inet-support.us@belden.com

in the Asia-Pacific region at

- ▶ Tel.: +65 6854 9860
- ▶ E-mail: inet-ap@belden.com

■ Hirschmann Competence Center

The Hirschmann Competence Center is ahead of its competitors:

- ▶ Consulting incorporates comprehensive technical advice, from system evaluation through network planning to project planning.
- ▶ Training offers you an introduction to the basics, product briefing and user training with certification.
The current technology and product training courses can be found at <http://www.hicomcenter.com>
- ▶ Support ranges from the first installation through the standby service to maintenance concepts.

With the Hirschmann Competence Center, you have decided against making any compromises. Our client-customized package leaves you free to choose the service components you want to use.

Internet:

<http://www.hicomcenter.com>



HIRSCHMANN

A **BELDEN** BRAND