

4

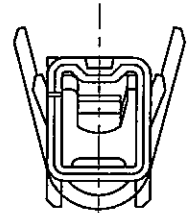
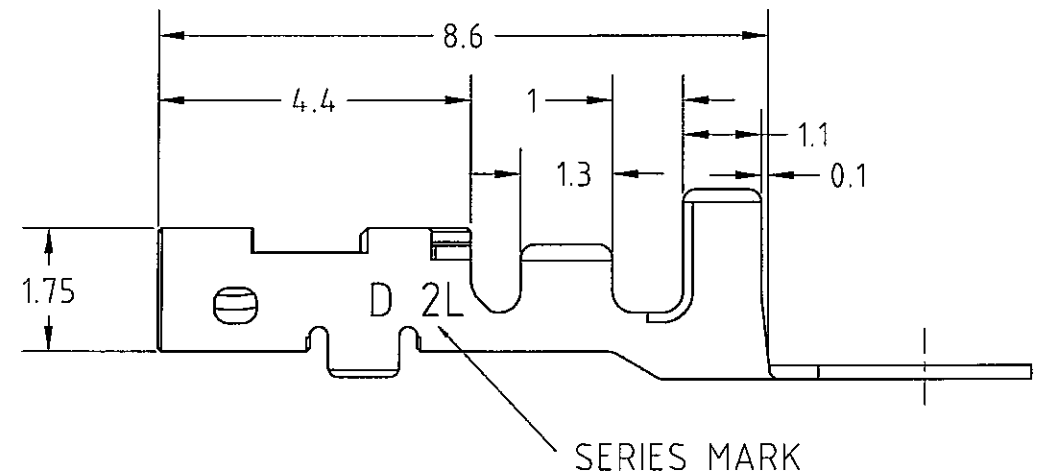
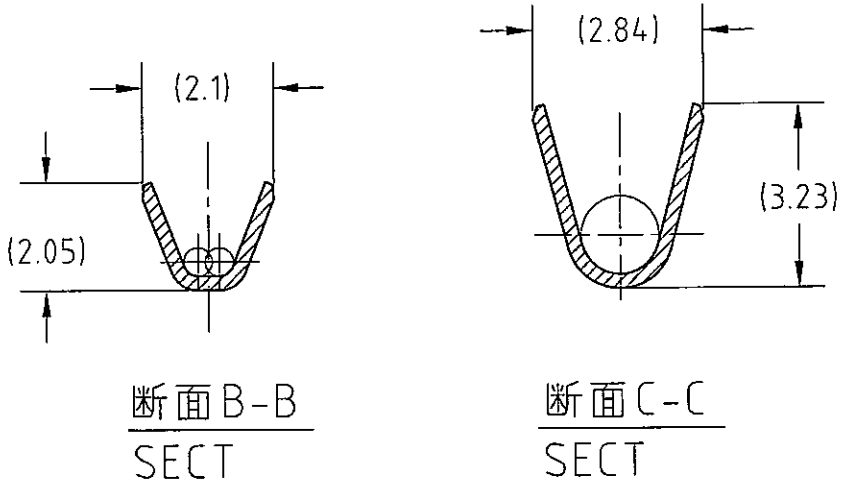
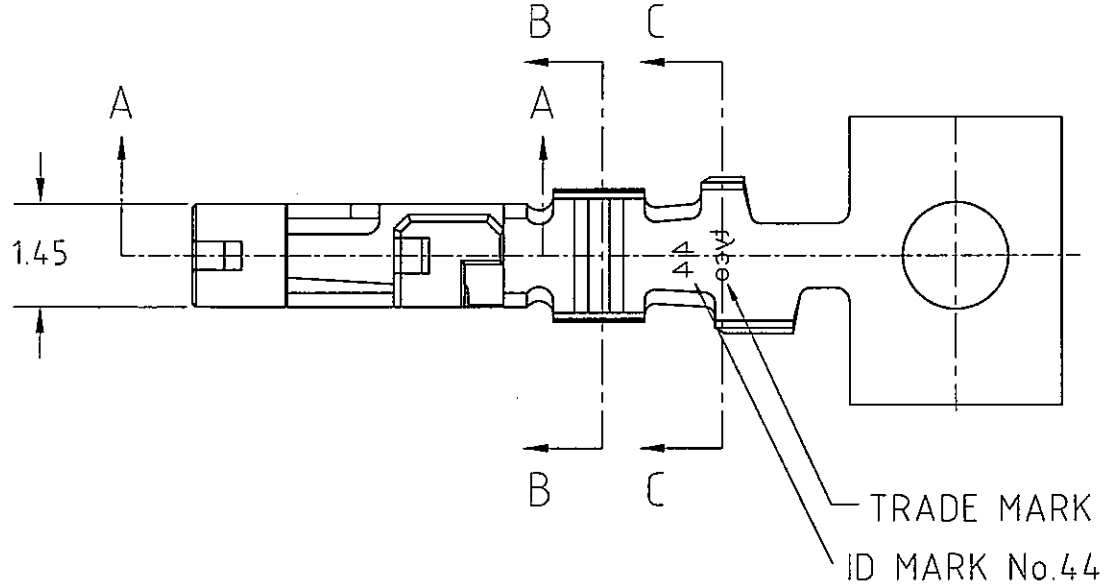
3

2

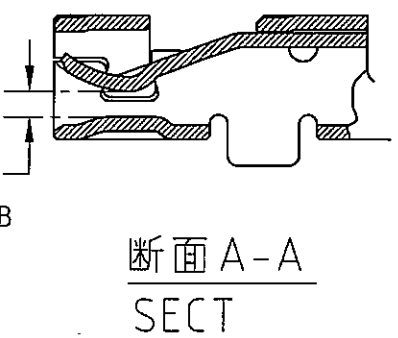
1

THIS DRAWING IS UNPUBLISHED. RELEASED FOR PUBLICATION  
 © COPYRIGHT BY TYCO ELECTRONICS CORPORATION. ALL RIGHTS RESERVED.

| LOC | DIST | REVISIONS |     |             |
|-----|------|-----------|-----|-------------|
|     |      | P         | LTR | DESCRIPTION |
| J   | -    | A         |     | RELEASED    |
|     |      |           |     |             |



0.5tタブにかん合  
 MATE WITH 0.5t TAB



注記  
 1. 適用プラグハウジング 型番 X-1747066-X

NOTES  
 1. APPLICABLE PLUG HOUSING P/N X-1747066-X

|  |                        |                                  |                |
|--|------------------------|----------------------------------|----------------|
| AWG#22~#18<br>0.34~0.86mm <sup>2</sup> | φ1.4~φ2.2              | PRE-TIN COPPER ALLOY<br>錫めっき済銅合金 | 2134384-1      |
| WIRE RANGE<br>導体断面積                    | INSULATION DIA<br>被覆外径 | MATERIAL<br>材料                   | PART NO.<br>型番 |

THIS DRAWING IS A CONTROLLED DOCUMENT.

|   |  |                                  |
|---|--|----------------------------------|
| DWN T.KUDO 21APR2010  | Tyco Electronics Corporation<br>Kawasaki, Japan  |                                  |
| CHK N.YAMASAKI 21APR2010  |  |                                  |
| APVD T.MASUDA 21APR2010   |  |                                  |
| DIMENSIONS: 単位: ㎜ mm<br>  | TOLERANCES UNLESS OTHERWISE SPECIFIED: 一般公差<br>0/PLC ± 0.3<br>1/PLC ±<br>2/PLC ±<br>3/PLC ±<br>4/PLC ±<br>ANGLES ± 3deg<br>MATERIAL 材料 FINISH 仕上 |                                  |
| PRODUCT SPEC 製品規格 108-78307<br>APPLICATION SPEC 取付適用規格 114-5359<br>WEIGHT | NAME 名称 GRACE INARTIA CONNECTOR 2.5<br>REC CONTACT TIN PLATE TYPE (2L TYPE)<br>SIZE A3 CAGE CODE 00779 DRAWING NO 番号 2134384 RESTRICTED TO       |                                  |
| CUSTOMER DRAWING  |  | SCALE 尺度 10:1 SHEET 1 OF 1 REV A |