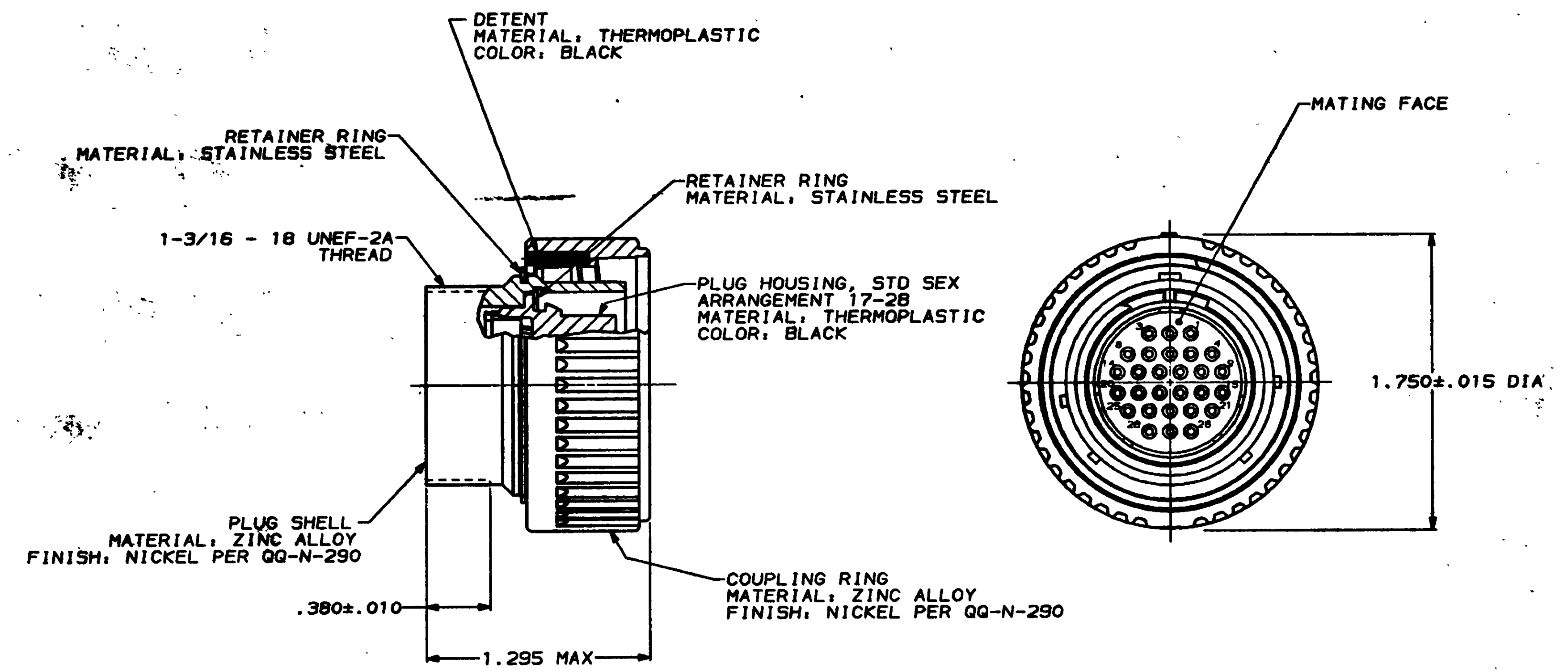


DRAWING MADE IN THIRD ANGLE PROJECTION

THIS DRAWING IS UNPUBLISHED. RELEASED FOR PUBLICATION .19  
 © COPYRIGHT 19 BY AMP INCORPORATED. ALL INTERNATIONAL RIGHTS RESERVED.

REV	DATE	BY	ZONE	LTR	DESCRIPTION	DATE	APPD
23	BD	35			REV & REDRAWN PER ECN B05454	7-2-92	



1. PLUG MATES WITH AMP RECEPTACLE 208491-1.
2. THIS PLUG ACCEPTS TWENTY EIGHT (28) TYPE 20 DM OR TYPE 20 DF SOCKET CONTACTS. MAXIMUM WIRE INSULATION DIAMETER = .068.
3. AMP PART NUMBER AND DATE CODE TO BE LOCATED ON COUPLING RING.

DO NOT SCALE PRINT. UNLESS SPECIFIED DIMENSIONS IN INCHES TOLERANCES ON:		DR 7-2-92 H MOLL		208490-1	
2 PLC DEC * -		CHK 12-29-92 R. STONE		PART NO	
3 PLC DEC * -		APPD 12-29-92 K. BEAVER		AMP AMP Incorporated Harrisburg, PA 17105-3808	
ANGLES * -		APPD 12-29-92 C. RONDE		NAME	
MATERIAL		PRODUCT SPEC		PLUG ASSEMBLY, STD SEX, SERIES 2, 22-28, CMC	
SEE CALLOUT		108-10040		SIZE	
FINISH		APPLICATION SPEC		CAGE CODE	
SEE CALLOUT		-		00779	
		WEIGHT		DRAWING NO	
		-		208490	
				SCALE	
				2:1	
				SHEET	
				1 OF 1	

CUSTOMER DRAWING