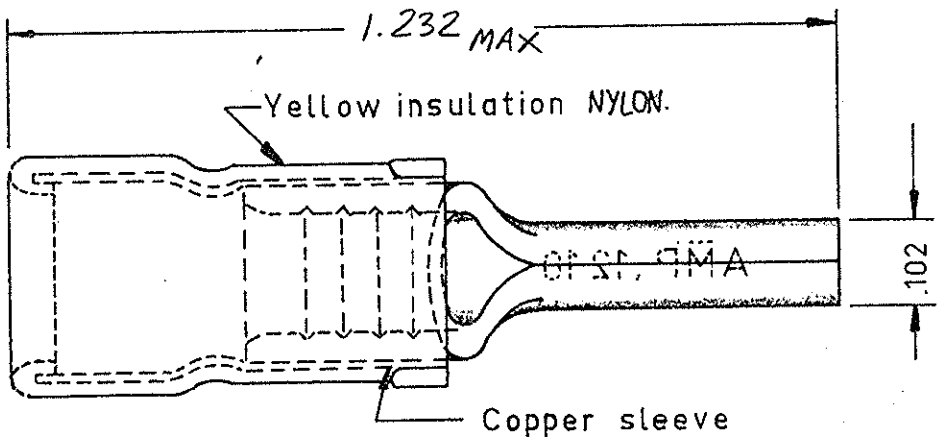
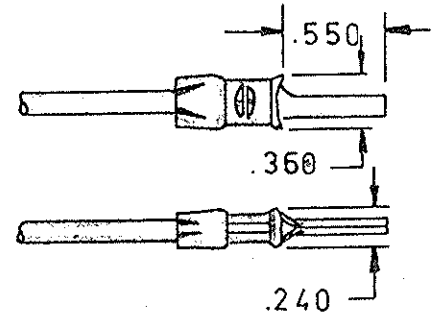
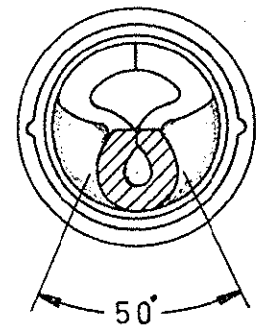
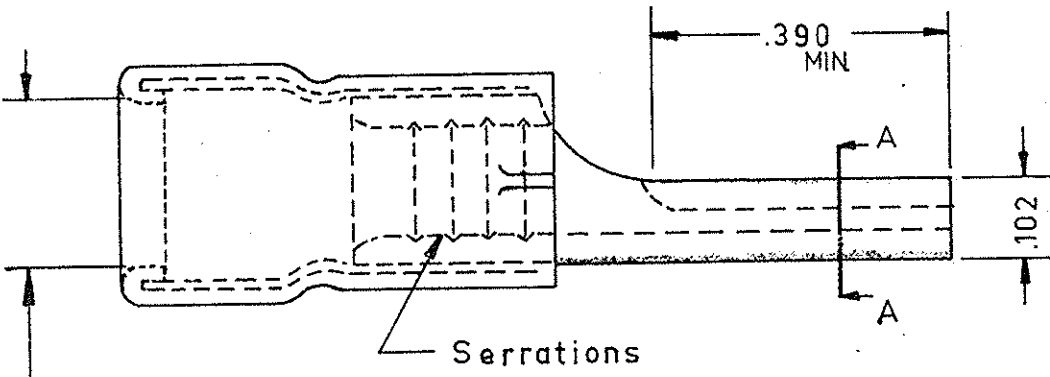


DIMENSIONS IN INCHES—DO NOT SCALE PRINT



ORDER No 165133



FOR 170-300
ISOL.DIA.

CUSTOMER PRINT
FOR REFERENCE ONLY

-9	-8	-7	-6	-5	-4	-3	-2	-1
REQUIRED PER ASSEMBLY								
DESCRIPTION								

DWG SIZE		NUMBER	NAME		REMARKS		ITEM NO.
E-Copper			HEAT TREAT		FINISH		
AMP		DR	DATE	APP	DATE REL		DATE
AMP-HOLLAND N.V.		CH	DATE	APP	DATE FIRST USED TOL		
HOLLAND		P.I.D.G.		PRINT	DIST	LOC	SIZE
SCALE		WIRE SIZE	CMA	NAME		NUMBER	
N.T.S.		12-10	MAX	WIRE PIN P.I.D.G.		C-165133-EE	
		MIN.				C	

©1963 BY AMP Holland N.V. ALL RIGHTS RESERVED. AMP PRODUCTS COVERED BY PATENTS AND/OR PATENTS PENDING.