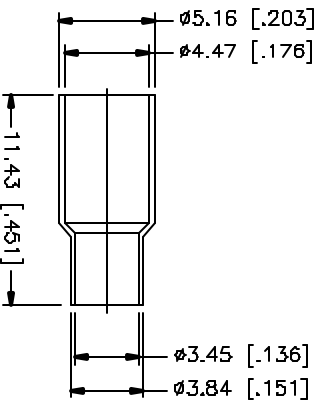
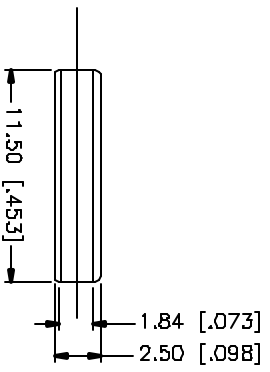
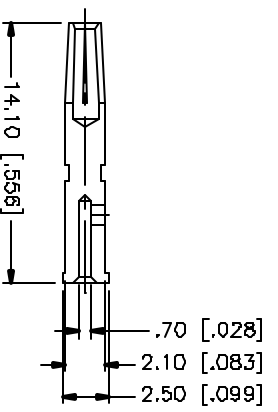
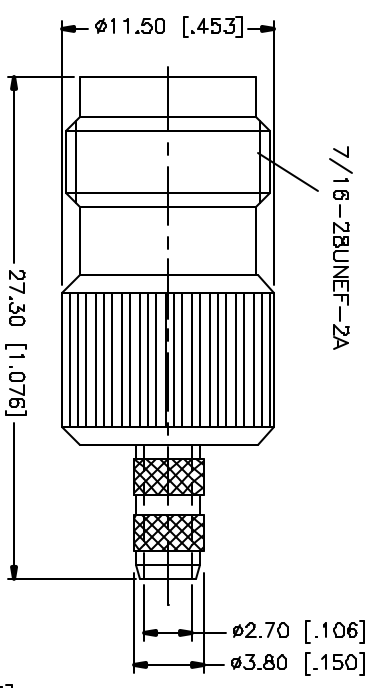
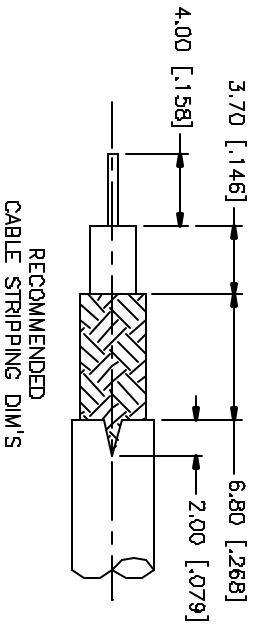


REV.	DATE	DESCRIPTION
NC	03/19/05	INITIAL RELEASE



- NOTE:
1. CRIMPED FERRULE
HEX CRIMP SIZE .178"
 2. CRIMP CONTACT PIN
HEX CRIMP SIZE .068"

QTY	FINISH	MATERIAL	DESCRIPTION
1	NICKEL	COPPER	FERRULE
1	GOLD	PHOS. BRONZE	CONTACT PIN
1	NATURAL	TEFLON	INSULATOR
1	NICKEL	BRASS	BODY

APPROVALS	DATE
G.R.S.	05/15/05

DIAMN	CHECKED	ISSUED	SHEET	QF
			1	1

REV. NO.	REV. NC	BZE	SCALE
122377.DWG		A	NA

REV. NO.	REV. NC	BZE	SCALE
122377.DWG		A	NA

Amphenol Connex

TNC CRIMP JACK
(FOR RG-316/U DOUBLE BRAID CABLE)

122377

UNLESS OTHERWISE SPECIFIED DIMENSIONS ARE IN MILLIMETERS. DIMENSIONS IN [] ARE IN INCHES AND PER QUOTE/REFERENCE ONLY. TOLERANCES FOR MILLIMETERS ARE:
 0.5 - .8mm ± 0.20mm
 .8 - .30mm ± 0.40mm
 .30 - 1.20mm ± 0.50mm
 UNLESS OTHERWISE SPECIFIED DIMENSIONS FOR INCHES ARE:
 .020 - .315 ± 0.007"
 .315 - 1.180 ± 0.015"
 1.180 - 4.724 ± 0.020"
 DO NOT SCALE DRAWING