

MATERIAL AND FINISHES:

SEE SD-85305-0232

P/N: 73415-6180: THIS IS P/N: 85305-0232 PLACED IN A SINGLE BAG
73415-6181: THIS IS P/N: 85305-0232 PLACED IN TAPE AND REEL WITH KAPTON TAPE

CHG: ADDED-6181	EC NO: URF2010-0353	2009/12/15
	DRWN: JLEE02	2009/12/15
A1	CHKD: SSS	2009/12/15
	APPR: WIENER	2009/12/15
REV	DESCRIPTION	

QUALITY SYMBOLS	▽=0
	▽=0

GENERAL TOLERANCES (UNLESS SPECIFIED)	mm	INCH
4 PLACES	± .005	± .0004
3 PLACES	± .005	± .0004
2 PLACES	± .005	± .0004
1 PLACE	± .005	± .0004
ANGULAR ± 2 °		
DRAFT WHERE APPLICABLE MUST REMAIN WITHIN DIMENSIONS		

DIMENSION STYLE		MM/IN
DRAWN BY	DATE	
SSS	2007/05/11	
CHECKED BY	DATE	
AZR	2007/05/11	
APPROVED BY	DATE	
JDW	2007/05/11	
MATERIAL NO.	734156180	

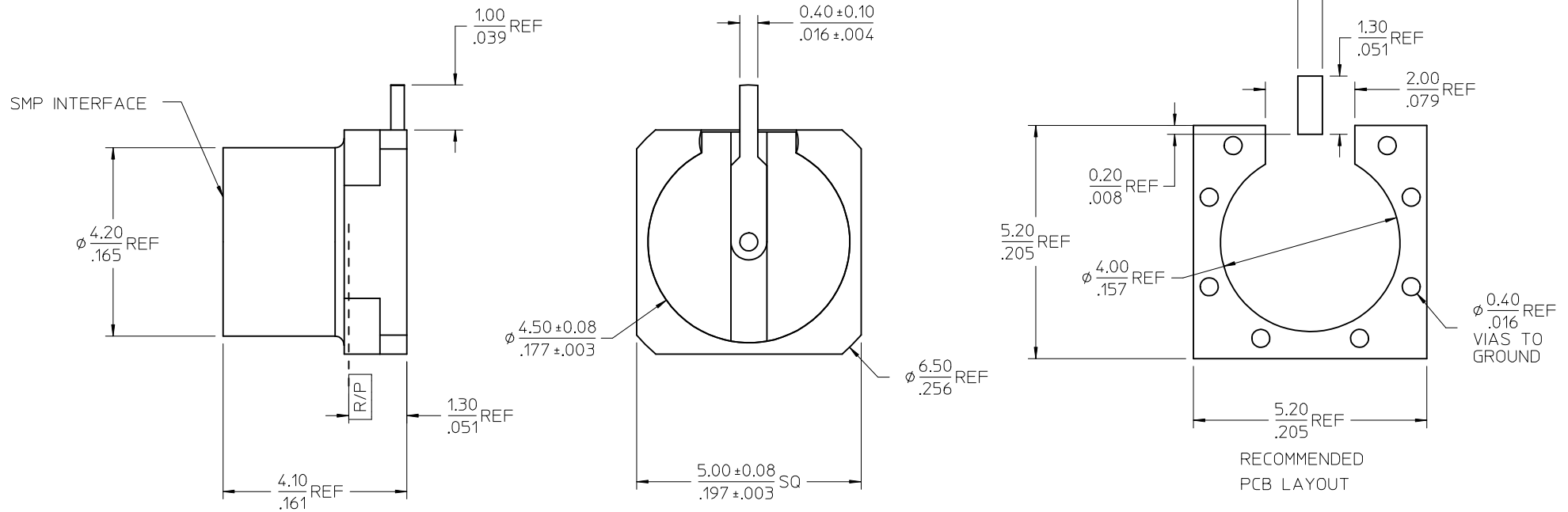
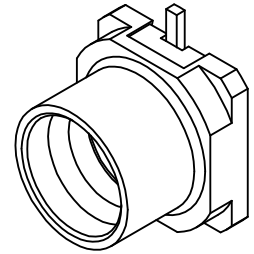
SCALE	DESIGN UNITS	THIRD ANGLE PROJECTION
	METRIC	
TITLE		
SMP, PLUG SMT LIMITED DETENT SMP-P/PCB		
MOLEX INCORPORATED		SHEET NO.
SD-73415-618		1 OF 1
THIS DRAWING CONTAINS INFORMATION THAT IS PROPRIETARY TO MOLEX INCORPORATED AND SHOULD NOT BE USED WITHOUT WRITTEN PERMISSION		

MATERIALS AND FINISHES:

INNER & OUTER CONTACT: BRASS
 PLATED: GOLD (30μ-in) MIN
 OVER NICKEL (100μ-in) MIN.

INSULATOR: LCP
 UL FLAMMABILITY RATING 94 V-0

TAPE: SHEET 2
 REEL: SHEET 3



MIL-STD-348B, FIG. 326.3	INTERFACE
SPECIFICATION	DESCRIPTION

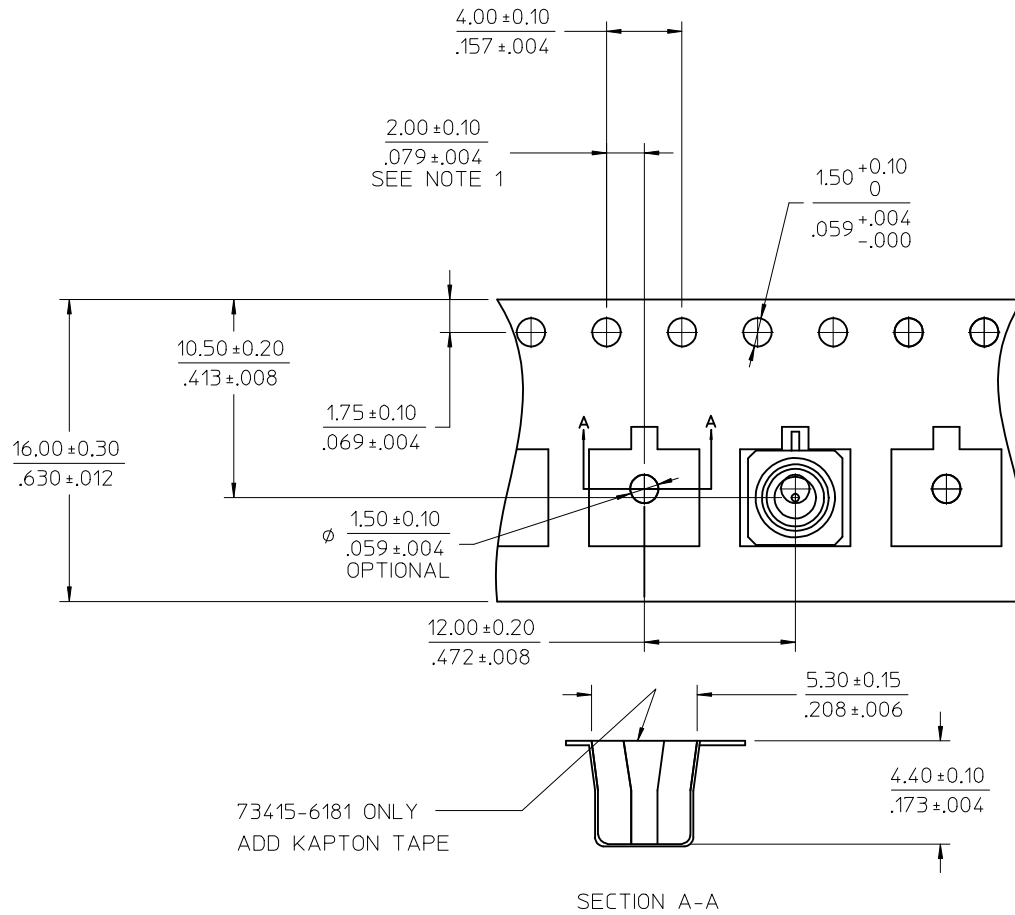
73415-6181	TAPE AND REEL WITH KAPTON TAPE
73415-6180	85305-0232, ONE PER BAG
85305-0232	TAPE AND REEL
PART NO.	PACKAGING

CHG: ADD GENERAL TOLERANCE VALUES & UPD MIL SPEC TO REV B. UPDATED DIMS TOLERANCED OR REF VALUES.	EC NO: URF2016-0187	DRWN:APRAKASHO1 2015/09/02	CHKD:LLM 2015/09/02	APPR:AROBERTSON 2015/09/11
REV	B9	DESCRIPTION	QUALITY SYMBOLS	$\nabla=0$ $\nabla=0$

GENERAL TOLERANCES (UNLESS SPECIFIED)	DIMENSION STYLE	SCALE	DESIGN UNITS	THIRD ANGLE PROJECTION
4 PLACES ± --- ± --- 3 PLACES ± --- ± 0.010 2 PLACES ± 0.25 ± --- 1 PLACE ± --- ± --- ANGULAR ± 2 °	MM/IN		METRIC	

DRAWN BY	DATE	TITLE
LMB	2005/07/29	SMP, PLUG SMT LIMITED DETENT SMP-P/PCB
CHECKED BY	DATE	MOLEX INCORPORATED
GMH	2005/07/29	
APPROVED BY	DATE	
GMH	2005/07/29	
MATERIAL NO.	DOCUMENT NO.	SHEET NO.
SEE TABLE	SD-85305-0232	1 OF 3
THIS DRAWING CONTAINS INFORMATION THAT IS PROPRIETARY TO MOLEX INCORPORATED AND SHOULD NOT BE USED WITHOUT WRITTEN PERMISSION		

NOTE:
1. 10 PITCHES CUMULATIVE TOLERANCE ±0.20(.008)

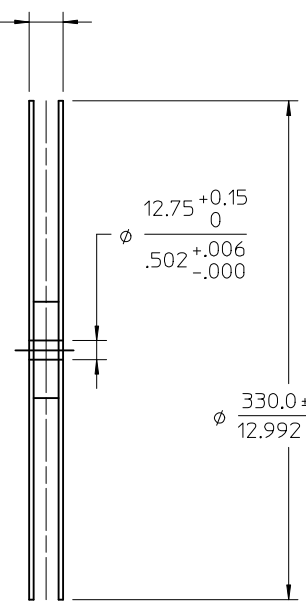


CHG: SEE SHEET 1 EC NO: URF2016-0187 DRW: APRAKASHO1 2015/09/02 CHK: DLLM 2015/09/02 APPR: ARBERTSON 2015/09/11	QUALITY SYMBOLS ▽=0 ▽=0	GENERAL TOLERANCES (UNLESS SPECIFIED) <table border="1"> <thead> <tr> <th></th> <th>mm</th> <th>INCH</th> </tr> </thead> <tbody> <tr> <td>4 PLACES</td> <td>± .15</td> <td>± .005</td> </tr> <tr> <td>3 PLACES</td> <td>± .10</td> <td>± 0.010</td> </tr> <tr> <td>2 PLACES</td> <td>± 0.25</td> <td>± .010</td> </tr> <tr> <td>1 PLACE</td> <td>± .50</td> <td>± .020</td> </tr> </tbody> </table>		mm	INCH	4 PLACES	± .15	± .005	3 PLACES	± .10	± 0.010	2 PLACES	± 0.25	± .010	1 PLACE	± .50	± .020	DIMENSION STYLE MM/IN DRAWN BY: LMB DATE: 2005/07/29 CHECKED BY: GMH DATE: 2005/07/29 APPROVED BY: GMH DATE: 2005/07/29	SCALE: METRIC DESIGN UNITS: METRIC THIRD ANGLE PROJECTION	TITLE: SMP, PLUG SMT LIMITED DETENT SMP-P/PCB
		mm	INCH																	
	4 PLACES	± .15	± .005																	
	3 PLACES	± .10	± 0.010																	
2 PLACES	± 0.25	± .010																		
1 PLACE	± .50	± .020																		
MATERIAL NO. SEE SHEET 1 SIZE: C	DRAFT WHERE APPLICABLE MUST REMAIN WITHIN DIMENSIONS	MOLEX INCORPORATED DOCUMENT NO. SD-85305-0232	SHEET NO. 2 OF 3																	
THIS DRAWING CONTAINS INFORMATION THAT IS PROPRIETARY TO MOLEX INCORPORATED AND SHOULD NOT BE USED WITHOUT WRITTEN PERMISSION																				

LABEL:
 - ORDER NO.
 - QUANTITY
 - PART NUMBER
 - LOT NO.

$\frac{22.4}{.880}$ MAX

$\frac{16.4}{.647}$ MIN

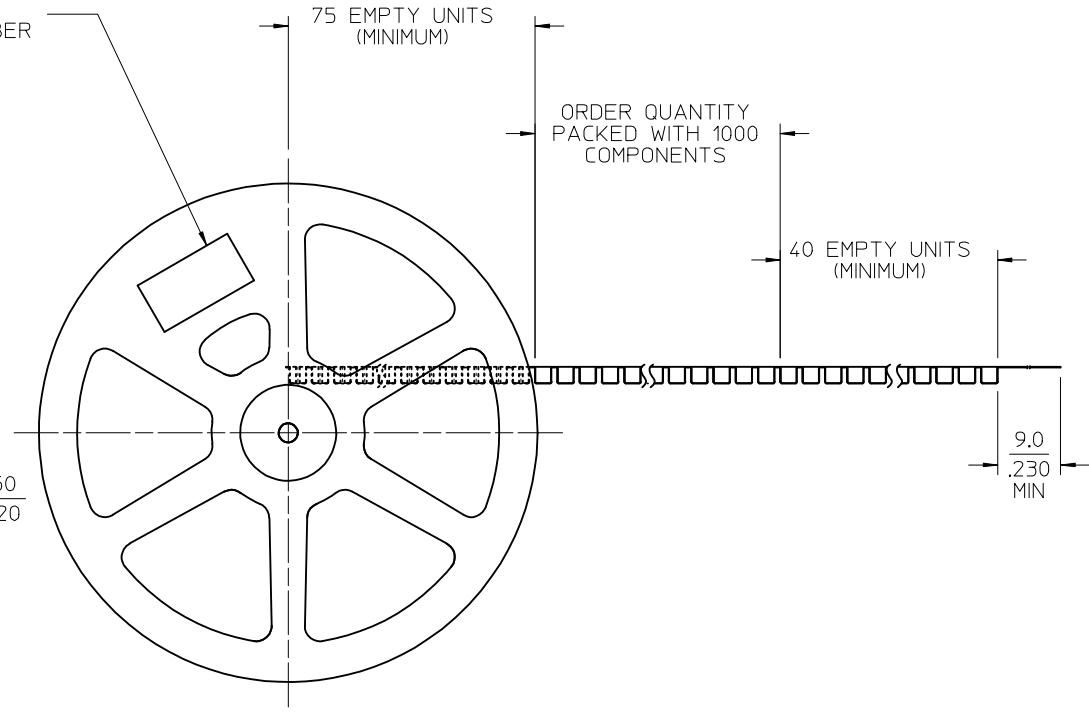


75 EMPTY UNITS (MINIMUM)

ORDER QUANTITY PACKED WITH 1000 COMPONENTS

40 EMPTY UNITS (MINIMUM)

$\frac{9.0}{.230}$ MIN



CHG: SEE SHEET 1	QUALITY SYMBOLS
EC NO: URF2016-0187	▼=0
DRWN:APRAKASHO1 2015/09/02	▽=0
CHKD:LLM 2015/09/02	
APPR:AROBERTSON 2015/09/11	
REV	DESCRIPTION
B9	

GENERAL TOLERANCES (UNLESS SPECIFIED)	
	mm INCH
4 PLACES ± ---	± ---
3 PLACES ± ---	± 0.010
2 PLACES ± 0.25	± ---
1 PLACE ± ---	± ---
ANGULAR ± 2 °	
DRAFT WHERE APPLICABLE MUST REMAIN WITHIN DIMENSIONS	

DIMENSION STYLE	
MM/IN	
DRAWN BY	DATE
LMB	2005/07/29
CHECKED BY	DATE
GMH	2005/07/29
APPROVED BY	DATE
GMH	2005/07/29
MATERIAL NO.	
SEE SHEET 1	
SIZE	
C	

SCALE	DESIGN UNITS	THIRD ANGLE PROJECTION
	METRIC	
TITLE		
SMP, PLUG SMT LIMITED DETENT SMP-P/PCB		
MOLEX INCORPORATED		SHEET NO.
DOCUMENT NO. SD-85305-0232		3 OF 3
THIS DRAWING CONTAINS INFORMATION THAT IS PROPRIETARY TO MOLEX INCORPORATED AND SHOULD NOT BE USED WITHOUT WRITTEN PERMISSION		