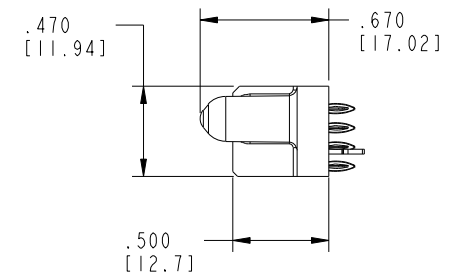
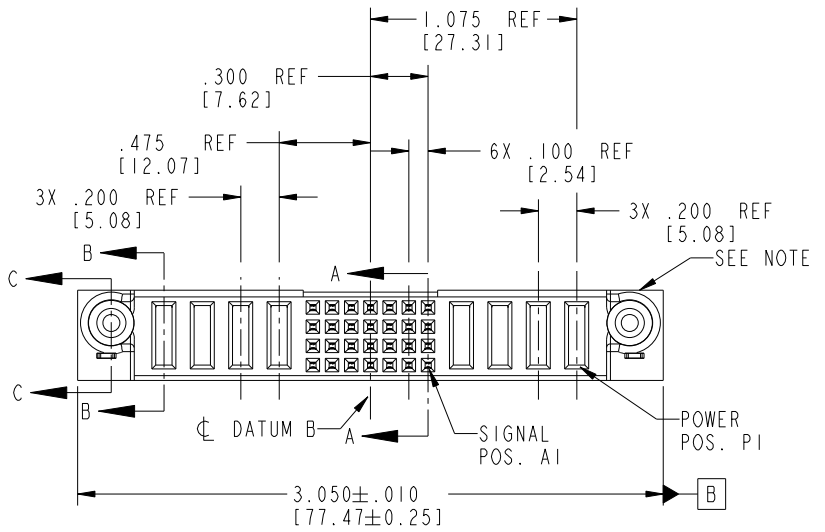


Tous droits strictement réservés. Reproduction ou communication a des tiers interdite sous quelque forme que ce soit sans autorisation écrite du propriétaire. Propriété de c FCI. Droits de reproduction FCI.



All rights strictly reserved. Reproduction or issue to third parties in any form whatever is not permitted without written authority from the proprietor. Property of FCI. Copyright FCI.

PRODUCT NO. 51940-112-- NOTE: 3	ROWS D C B A	POWER				SIGNAL							POWER				E1					
		E2	P8	P7	P6	P5	7	6	5	4	3	2	1	P4	P3	P2		P1				
			PC	PC	PC	PC	F	F	F	F	F	F	F	F	F	F	F	PC	PC	PC	PC	



CODE	DIM "M" MATING LENGTH	CONTACT TYPE
PC	.042 [1.07]	POWER
F	N/A [N/A]	SIGNAL
HA	N/A [N/A]	HOLD-DOWN

mat'l code				SEE NOTE 2		tolerances unless otherwise specified		CUSTOMER		 www.fciconnect.com	
ltr	ecn no.	dr	date	linear	.XX±.01/0.X±0.3	projection		COPY		title	
A	DG04-0086	LH	11/29/04		.XX±.005/0.XX±0.13			4P + 28S + 4P		VERTICAL PRESS-FIT RECEPT	
B	DG05-0036	SW	03/01/05	angles	.XXX±.0020/0.XXX±0.051			product family		code	
C	DG05-0300	GuoJM	08/29/05			INCH/MM		PwrBlade		213	
D	DG06-0370	GuoJM	09/01/06	dr	LH	11/29/04		size		sheet	
				engr	LH	11/29/04		dwg no		1 of 4	
				chr	VICTOR LIN	11/29/04		A		51940-112	
				appd	JOSEPH HSIA	11/29/04		scale		1:1	
sheet index	revision sheet	D	D	D	D						
		1	2	3	4						

B

A

B

1 | 2

Pro/E

PDM: Rev:D

STAT: Released

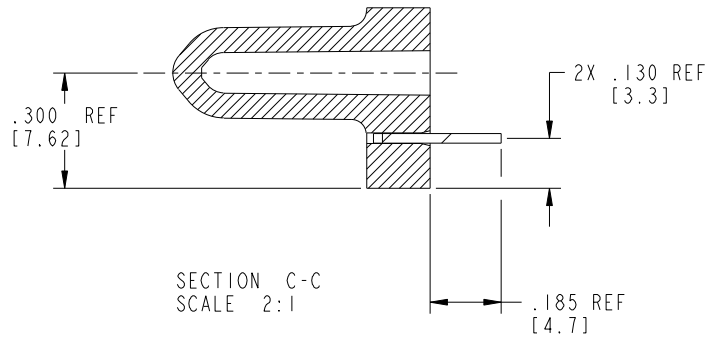
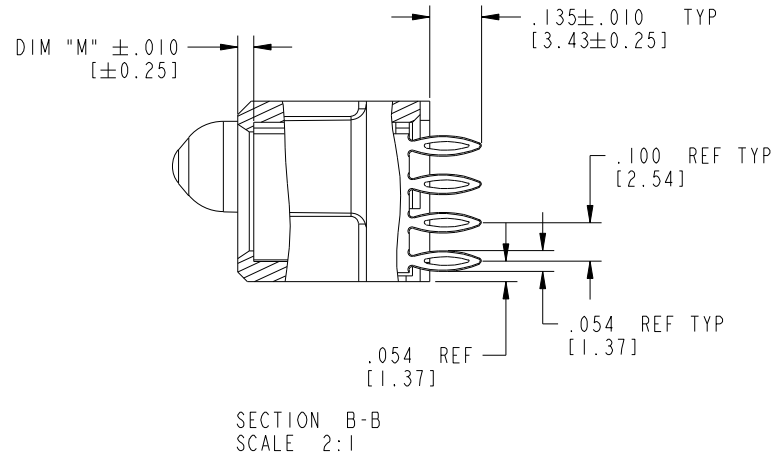
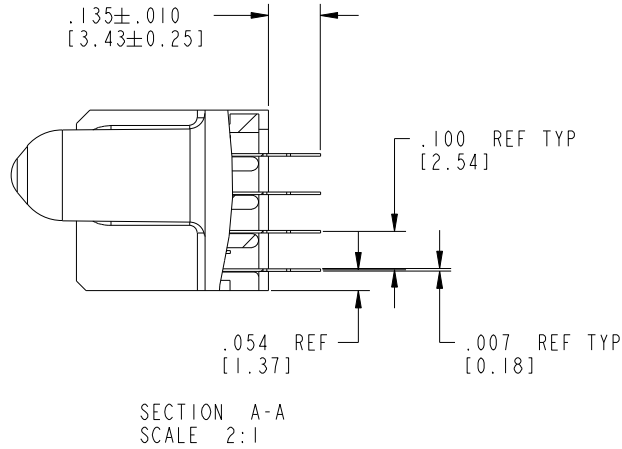
Printed: Dec 20, 2010

Tous droits strictement réservés. Reproduction ou communication a des tiers interdite sous quelque forme que ce soit sans autorisation écrite du propriétaire. Propriété de c FCI. Droits de reproduction FCI.

All rights strictly reserved. Reproduction or issue to third parties in any form whatever is not permitted without written authority from the proprietor. Property of FCI. Copyright FCI.



PRODUCT NUMBER
51940-112__
NOTE: 3



mat'l code		SEE NOTE 2		tolerances unless otherwise specified		CUSTOMER		FCI	
lfr	ecn no.	dr	date	linear	.XX±.01/0.X±0.3	projection	www.fciconnect.com		
D				linear	.XXY±.005/0.XX±0.13	INCH/MM	title 4P + 28S + 4P		
				angles	.XXX±.0020/0.XXX±0.051	scale	VERTICAL PRESS-FIT RECEPT		
				dr	LH 11/29/04	1:1	product family PwrBlade		code
				enrg	LH 11/29/04		size	dwg no	213
				chr	VICTOR LIN 11/29/04		A 51940-112		sheet
				appd	JOSEPH HSIA 11/29/04				2 of 4
sheet index	revision sheet								

Pro/E

PDM: Rev:D

STAT: Released

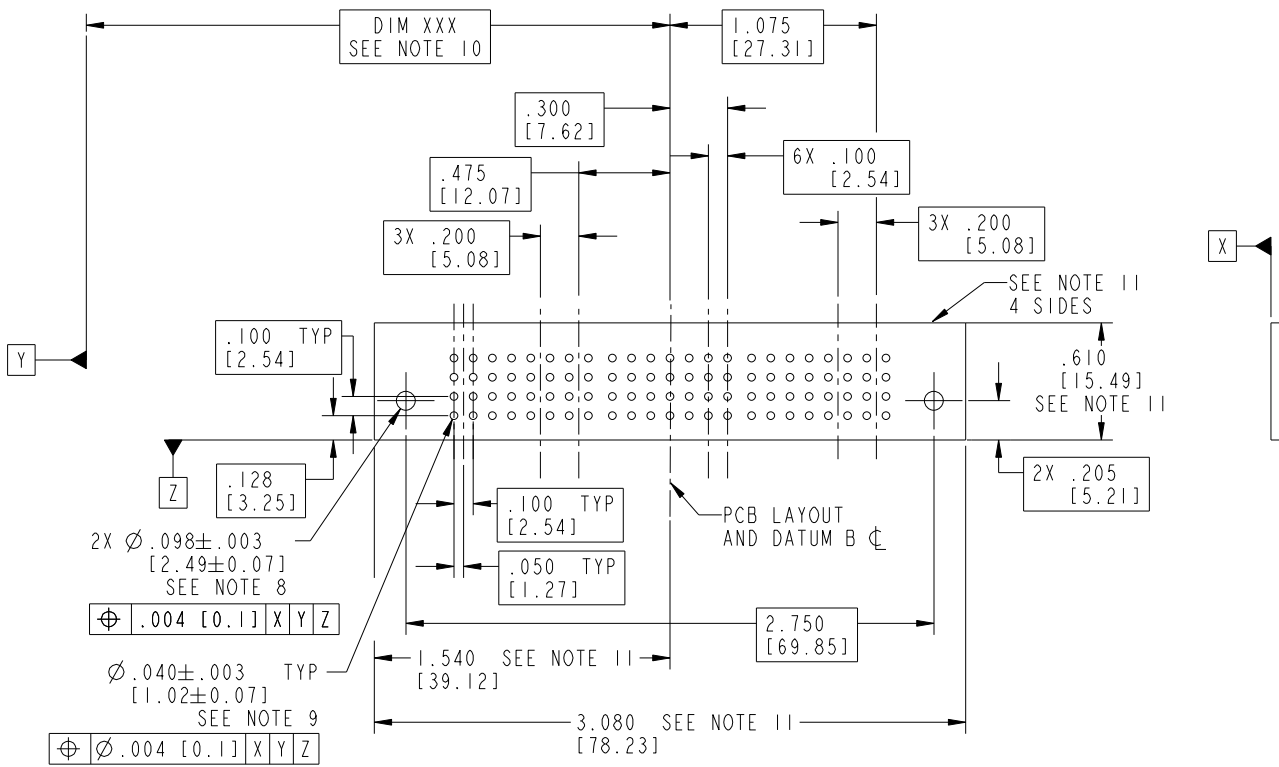
Printed: Dec 20, 2010

Tous droits strictement réservés. Reproduction ou communication a des tiers interdite sous quelque forme que ce soit sans autorisation écrite du propriétaire. Propriété de c FCI. Droits de reproduction FCI.



All rights strictly reserved. Reproduction or issue to third parties in any form whatever is not permitted without written authority from the proprietor. Property of FCI. Copyright FCI.

PRODUCT NUMBER
51940-112--
NOTE: 3



mat'l code		SEE NOTE 2		tolerances unless otherwise specified		CUSTOMER		FCI	
lir	ecn no.	dr	date	linear	.XX±.01/0.X±0.3	COPY		www.fciconnect.com	
D				angles	.XXX±.005/0.XX±0.13	projection		title 4P + 28S + 4P	
					.XXX±.0020/0.XXX±0.051	INCH/MM		VERTICAL PRESS-FIT RECEPT	
				dr	LH 11/29/04	scale		product family PwrBlade code	
				enrg	LH 11/29/04	1:1		size dwg no 213	
				chr	VICTOR LIN 11/29/04			sheet	
				appd	JOSEPH HSIA 11/29/04			3 of 4	
sheet index		revision sheet						A 51940-112	

Pro/E

PDM: Rev: D

STAT: Released

Printed: Dec 20, 2010

PRODUCT NUMBER

51940-112__
NOTE: 3

NOTES:

1. DIMENSIONS AND TOLERANCES ARE IN ACCORDANCE WITH ASME Y14.5M, 1994 UNLESS OTHERWISE SPECIFIED.

CONNECTOR NOTES:

- 2 HOUSING MATERIAL: UL 94 V-0 GLASS FILLED
HIGH-TEMP THERMOPLASTIC
POWER CONTACT MATERIAL: COPPER ALLOY
SIGNAL PIN MATERIAL: COPPER ALLOY
- 3. 51940-112;51940-112LF;51940-112GLF PLATING SPEC. SEE PRINT:10064183
- 4 MANUFACTURER'S NAME, P/N, AND DATE CODE TO APPEAR ON THIS SURFACE.
- 5. PRODUCT SPECIFICATION GS-12-149.
APPLICATION SPECIFICATION BUS-20-067.
- 6. PACKAGED IN TRAYS.

PCB NOTES:

7. ALL HOLE DIAMETERS ARE FINISHED HOLE SIZE.

- 8 MOUNTING HOLES, WHERE APPLICABLE, ARE UNPLATED.
- 9 $\varnothing .0453 \pm .0010$ [1.151 \pm 0.025] DRILLED HOLES PLATED WITH .0003 [0.008] MIN SnPb or Sn OVER .001 [0.03] TO .003 [0.08] Cu PLATING TO ACHIEVE $\varnothing .040 \pm .003$ [1.02 \pm .07] HOLE.
- 10 "DIM XXX" TO BE DETERMINED BY THE CUSTOMER.
- 11 CONNECTOR KEEP-OUT ZONE.

mat'l code		SEE NOTE 2		tolerances unless otherwise specified		CUSTOMER		FCJ	
lfr	ecn no.	dr	date	linear	.XX \pm .01 / 0.X \pm 0.3	COPY		www.fciconnect.com	
D				projection	.XXX \pm .005 / 0.XX \pm 0.13			title 4P + 28S + 4P	
				angles	.XXXX \pm .0020 / 0.XXX \pm 0.051			VERTICAL PRESS-FIT RECEIPT	
				dr	LH 11/29/04			product family PwrBlade	
				engr	LH 11/29/04			code 213	
				chr	VICTOR LIN 11/29/04	scale 1:1		size A	
				appd	JOSEPH HSIA 11/29/04	A		51940-112	
sheet index	revision sheet							4 of 4	

Tous droits strictement réservés. Reproduction ou communication a des tiers interdite sous quelque forme que ce soit sans autorisation écrite du propriétaire. Propriete de c FCI. Droits de reproduction FCI.



All rights strictly reserved. Reproduction or issue to third parties in any form whatever is not permitted without written authority from the proprietor. Property of FCI. Copyright FCI.