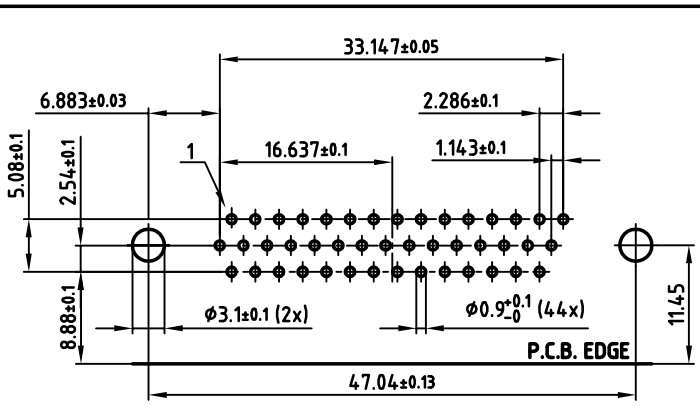
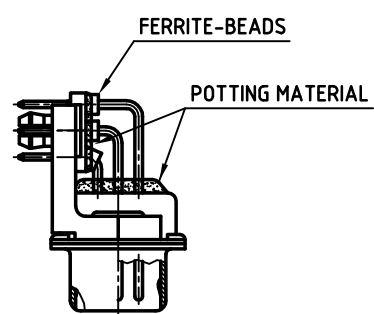
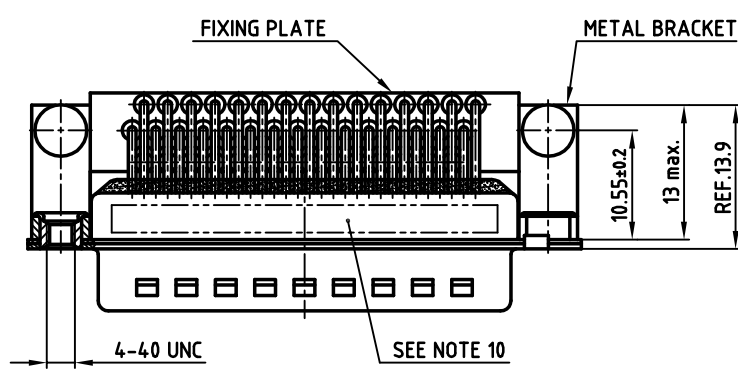
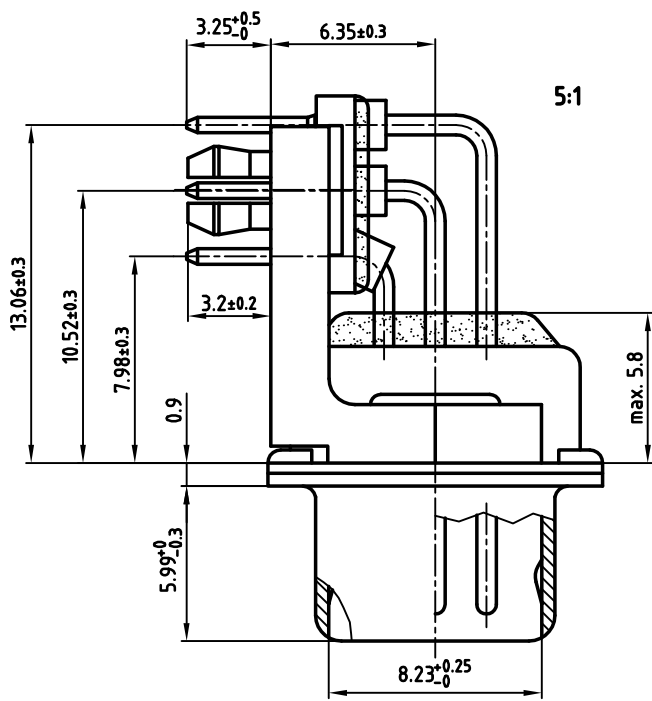
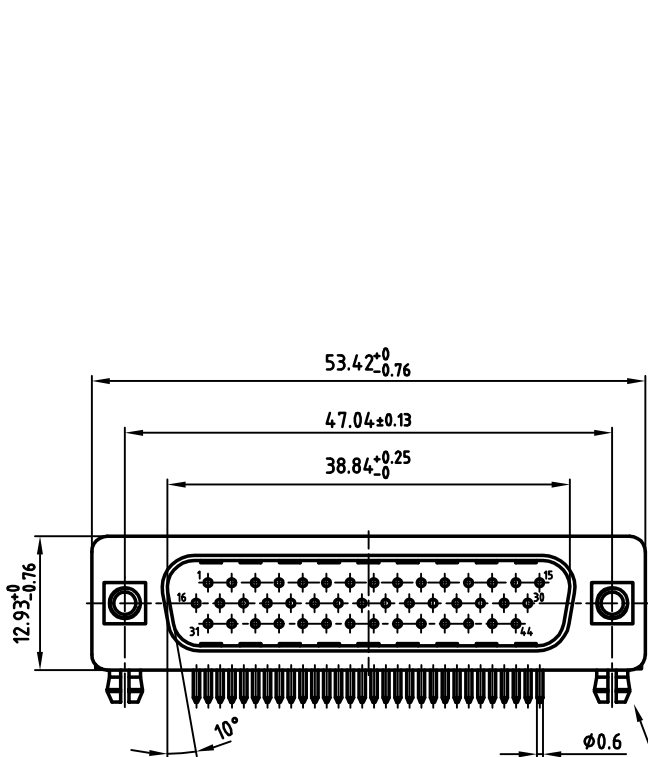


used for: D-SUB FILTER HD



- NOTES:**
- METALSHELLS: STEEL; min. 315µin TIN OVER 40-80µin NICKEL
 - INSULATORS: HIGH TEMPERATURE PLASTIC UL 94 V-0, BLACK
 - CONTACTS: COPPER ALLOY
PLATING: 8µin HARD GOLD OVER min. 50µin NICKEL
 - METAL BRACKET: ZINC DIE CAST; 300µin COPPER
40-120µin NICKEL/120-200µin TIN
 - THREADED INSERT: COPPER ALLOY; min. 200µin TIN over 80µin NICKEL
 - PCB-SNAP: COPPER ALLOY; min. 200µin TIN over 80µin NICKEL
PCB-HOLE: $\phi 3.1 \pm 0.1$; PCB THICKNESS 1.6mm
 - FIXING-PLATE: PBT GF UL 94 V-0, BLACK
 - DIELECTRIC WITHSTANDING VOLTAGE: 300 VDC
 - MAXIMUM TORQUE VALUE FOR THREAD: 6 in.LB
 - CONNECTOR IS PART MARKED: 241A26740X CONEC ABC

Directive 2002/95/EC
„RoHS“
Compliant

P.C.B. HOLE DRILLINGS

APPROVAL # FREIGABE # DEBLOCAGE # AUTORIZACION # APPROVAL

CUSTOMER APPROVAL DATE:

NAME: TITLE:

COMPANY NAME:

APPROVAL # FREIGABE # DEBLOCAGE # AUTORIZACION # APPROVAL

THIS DRAWING MAY NOT BE COPIED OR REPRODUCED IN ANY WAY, AND MAY NOT BE PASSED ON TO A THIRD PARTY, WITHOUT WRITTEN PERMISSION. OWNERSHIP AND COPYRIGHT OF CONEC GmbH DO NOT ALTER CAD DRAWING BY HAND

rev.	description	date	name
a	Origin		

tolerance		dim. in mm
2006	date	
drawn	07.12.	Schwenkler
appd.	07.12.	Lehmenkühler
norm		
d-old		

scale: 2:1 (5:1)

material: SEE NOTES

title: **D-SUB HD FILTER MALE 90°**
44pos. 0.314inch
with metal bracket, threaded insert and clip

dwg no: AutoCAD 2006 DIN-A
3 sh: 1/1

24K1A956

part no: **241A26740X**

