



NTCG
NTC Chip Thermistor
Temperature Sensing Device

PRODUCT: NTCG164KF104FTDS

**This product is compliant with the
 AEC-Q200 standard.**

Dimensions and construction

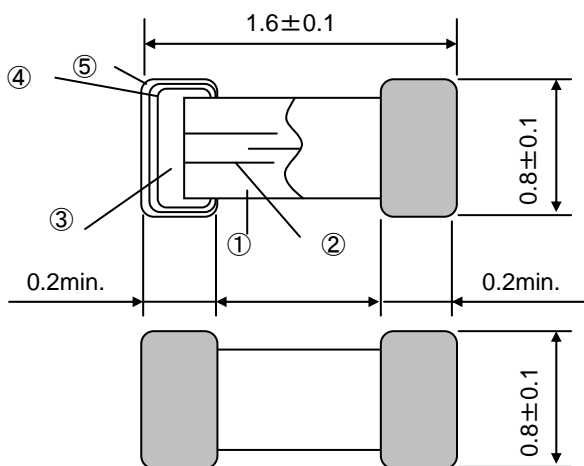


TABLE1. Parts List

	Part Name	Material
①	Element	Manganese, Cobalt-oxide base Ceramics materials
②	Inner electrodes	Palladium
③	Terminal	Silver base
④	electrodes	Nickel-plating
⑤		Tin-plating

Operating temperature range

-40 ~ +125°C

TABLE 2. Electric Performance:

Item	Symbol	Specification
Nominal resistance and tolerance	R25	100kΩ ± 1%
B value and tolerance	B25/85	4485K ± 1%
Maximum rated power (condition: chip)	P25	100 mW / 25°C in still air

TABLE 3. Resistance - Temperature Characteristics (condition: chip in silicone oil)

Temp (°C)	Min (kΩ)	Nom (kΩ)	Max (kΩ)	Temp (°C)	Min (kΩ)	Nom (kΩ)	Max (kΩ)	Temp (°C)	Min (kΩ)	Nom (kΩ)	Max (kΩ)
-30.0	2296	2394	2496	30.0	77.53	78.51	79.48	90.0	6.494	6.739	6.993
-25.0	1650	1714	1781	35.0	61.13	62.04	62.96	95.0	5.454	5.669	5.893
-20.0	1197	1240	1285	40.0	48.50	49.33	50.18	100.0	4.599	4.789	4.986
-15.0	877.5	906.1	935.6	45.0	38.71	39.47	40.24	105.0	3.894	4.061	4.235
-10.0	649.1	668.2	687.9	50.0	31.09	31.76	32.45	110.0	3.310	3.457	3.611
-5.0	484.5	497.3	510.4	55.0	25.10	25.70	26.32	115.0	2.824	2.954	3.091
0.0	364.7	373.2	382.0	60.0	20.39	20.92	21.46	120.0	2.418	2.534	2.655
5.0	276.8	282.5	288.3	65.0	16.64	17.11	17.59	125.0	2.078	2.180	2.288
10.0	211.7	215.5	219.3	70.0	13.66	14.07	14.49				
15.0	163.1	165.6	168.1	75.0	11.26	11.62	11.99				
20.0	126.6	128.2	129.8	80.0	9.330	9.648	9.975				
25.0	99.00	100.0	101.0	85.0	7.767	8.046	8.333				