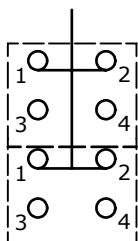
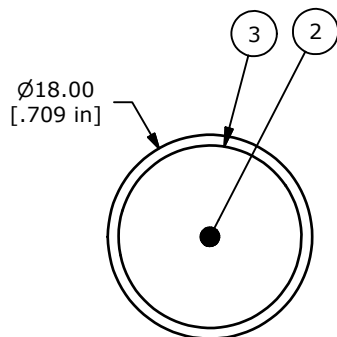


PARTS LIST			
ITEM	QTY	PART NUMBER	DESCRIPTION
1	1	F040016	D16EER12
2	1	F050412	50-004-12 110VAC RED NEON
3	1	F050117	50-001-14 RED FLAT TRANSPARENT LENS

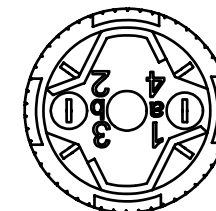
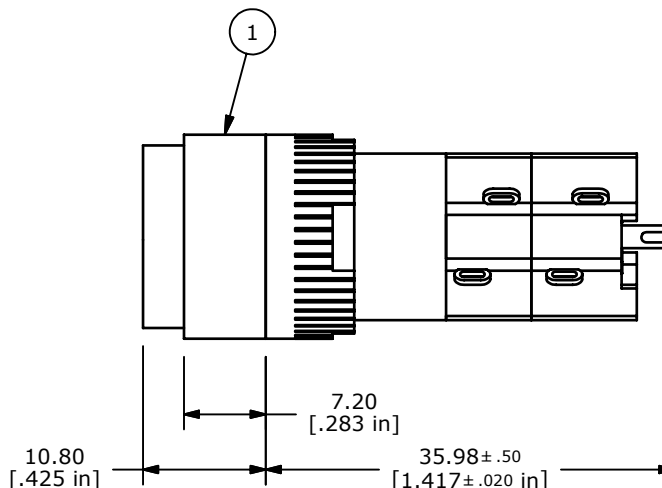
PANEL MOUNTING
PANEL THK. 0.5 - 5 mm



a ○ ○ ○ b (+)

DPDT

CONTACT CONFIGURATION



NOTE:

1. ALL DIMENSIONS IN MM [INCH]
2. GENERAL TOLERANCE: X.X=±0.4
X.XX=±0.25
3. TERMINAL NUMBERS FOR REF ONLY
4. MECHANICAL LIFE: 2,000,000 OPERATIONS
5. CONTACT RATING: 5A @ 250 VAC, 8A @ 125 VAC
6A @ 24 VDC
5. INSULATION RESISTANCE: 1,000 MILLI-OHM MIN.
6. OPERATING TEMP.: -25°C to 55°C
- ▲ 7. LAMP VOLTAGE: 110VAC RED NEON
8. ▲ DENOTES CRITICAL PARAMETER.
9. 2002/95/EC (ROHS) COMPLIANT.



A	18036	RELEASED FOR PRODUCTION	4/01/08	BLR
REV	PCR NO	DESCRIPTION	DATE	BY

TITLE D16EER12FREDRED				
SCALE	DATE	DR	DWG	REV
2:1	4/1/2008	BLR	XF0745P	A

THE INFORMATION CONTAINED IN THIS DOCUMENT IS PROPRIETARY TO E-SWITCH AND IS NOT TO BE COPIED OR TRANSFERRED