

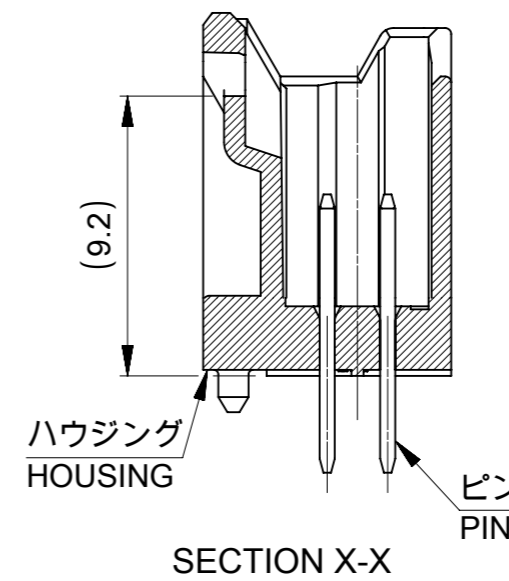
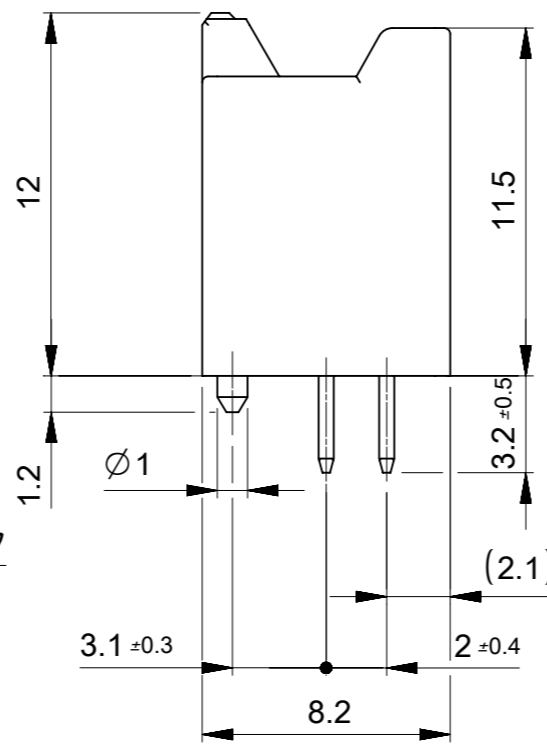
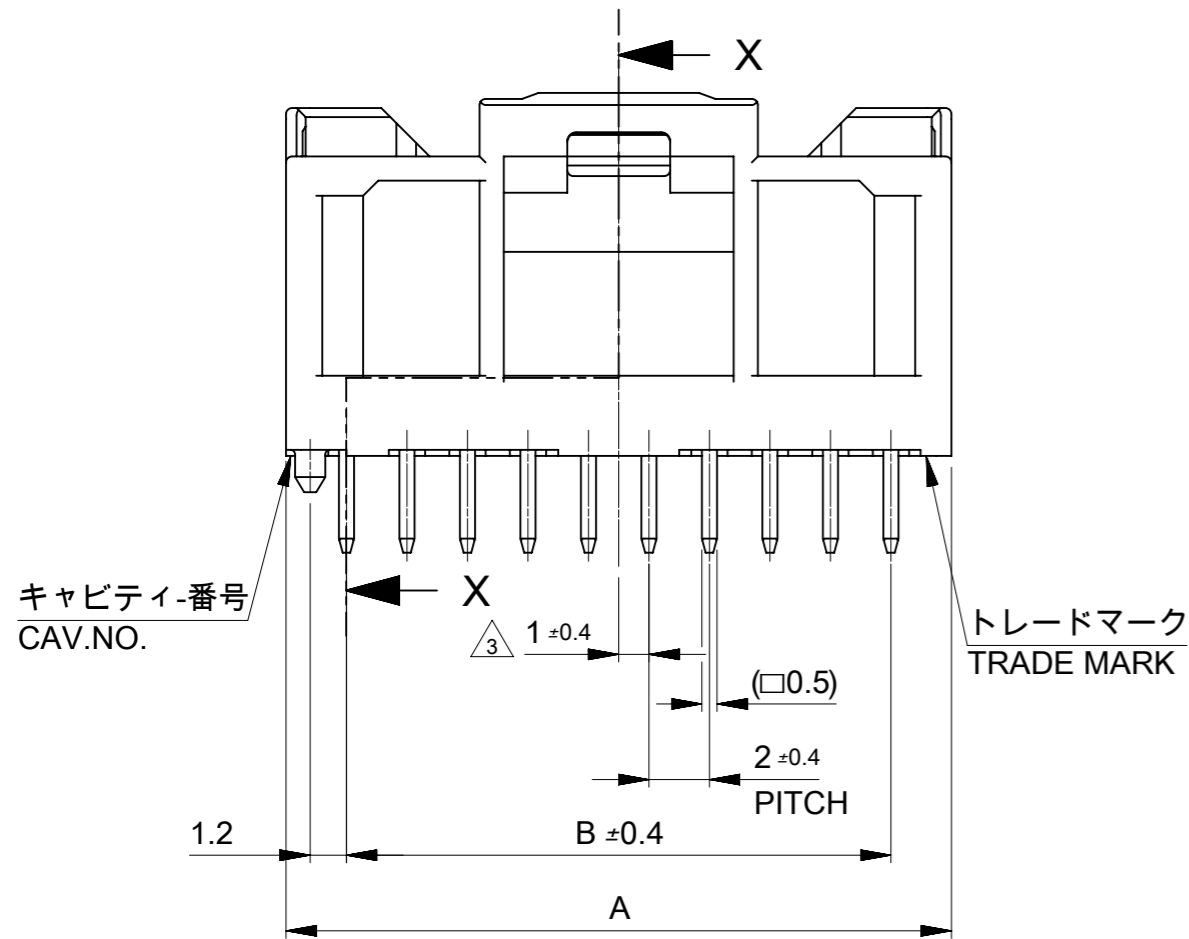
注記
NOTES

1, 嵌合相手 : 501646 シリーズ
MATE WITH : 501646 SERIES

△₂ オーダー番号
ORDER NO. **503091 **21**
極数 CIRCUIT SIZE

△₃ (全極数/2)=偶数の場合に適応。
APPLY FOR (CIRCUIT/2)=EVEN

4. 製品仕様および取り扱いについては、
製品仕様書"5016460000-PS 000"及び
取り扱い説明書"5016460000 A00"を参照願います。
PLEASE REFER TO PRODUCT SPECIFICATION
"5016460000-PS 000" AND
APPLICATION SPECIFICATION "5016460000 A01"



9.2	40.7	38	42	5030914021	40
9.2	38.7	36	40	3821	38
9.2	36.7	34	38	3621	36
9.2	34.7	32	36	3421	34
9.2	32.7	30	34	3221	32
9.2	30.7	28	32	3021	30
9.2	28.7	26	30	2821	28
9.2	26.7	24	28	2621	26
9.2	24.7	22	26	2421	24
9.2	22.7	20	24	2221	22
9.2	20.7	18	22	2021	20
9.2	18.7	16	20	1821	18
9.2	16.7	14	18	1621	16
9.2	14.7	12	16	1421	14
9.2	12.7	10	14	1221	12
7.3	10.7	8	12	5030911021	10
D	C	B	A	トレー梱包 TRAY PACKAGE オーダー番号 ORDER NO.	CKT.

PART	材質 MATERIAL
ピン PIN	黄銅, BRASS 金めっき 0.1µm min. ニッケルめっき(下地) 1µm MIN. GOLD PLATING 0.1µm MIN. UNDER NICKEL PLATING 1µm MIN.
ハウジング HOUSING	ポリアミド(PA) 黒, UL94V-0 POLYAMIDE(PA) BLACK, UL94V-0

THIS DRAWING CONTAINS INFORMATION THAT IS PROPRIETARY TO MOLEX ELECTRONIC TECHNOLOGIES, LLC AND SHOULD NOT BE USED WITHOUT WRITTEN PERMISSION

DIMENSION UNITS: mm SCALE: 5:1

GENERAL TOLERANCES (UNLESS SPECIFIED):
ANGULAR TOL ± 3.0°
4 PLACES ± 0.2
3 PLACES ± 0.2
2 PLACES ± 0.2
1 PLACE ± 0.2
0 PLACES ± 0.2

DRAFT WHERE APPLICABLE MUST REMAIN WITHIN DIMENSIONS

THIRD ANGLE PROJECTION

DRAWING: A3-SIZE SERIES: 503091

CURRENT REV DESC: RELEASED

EC NO: 174865
DRWN: SNAKAMURA08 2018/04/03
CHK'D: KOMURAKAMI 2018/04/13
APPR: TKANEKO 2018/04/16

INITIAL REVISION:
DRWN: SNAKAMURA08 2018/03/15
APPR: TKANEKO 2018/03/30

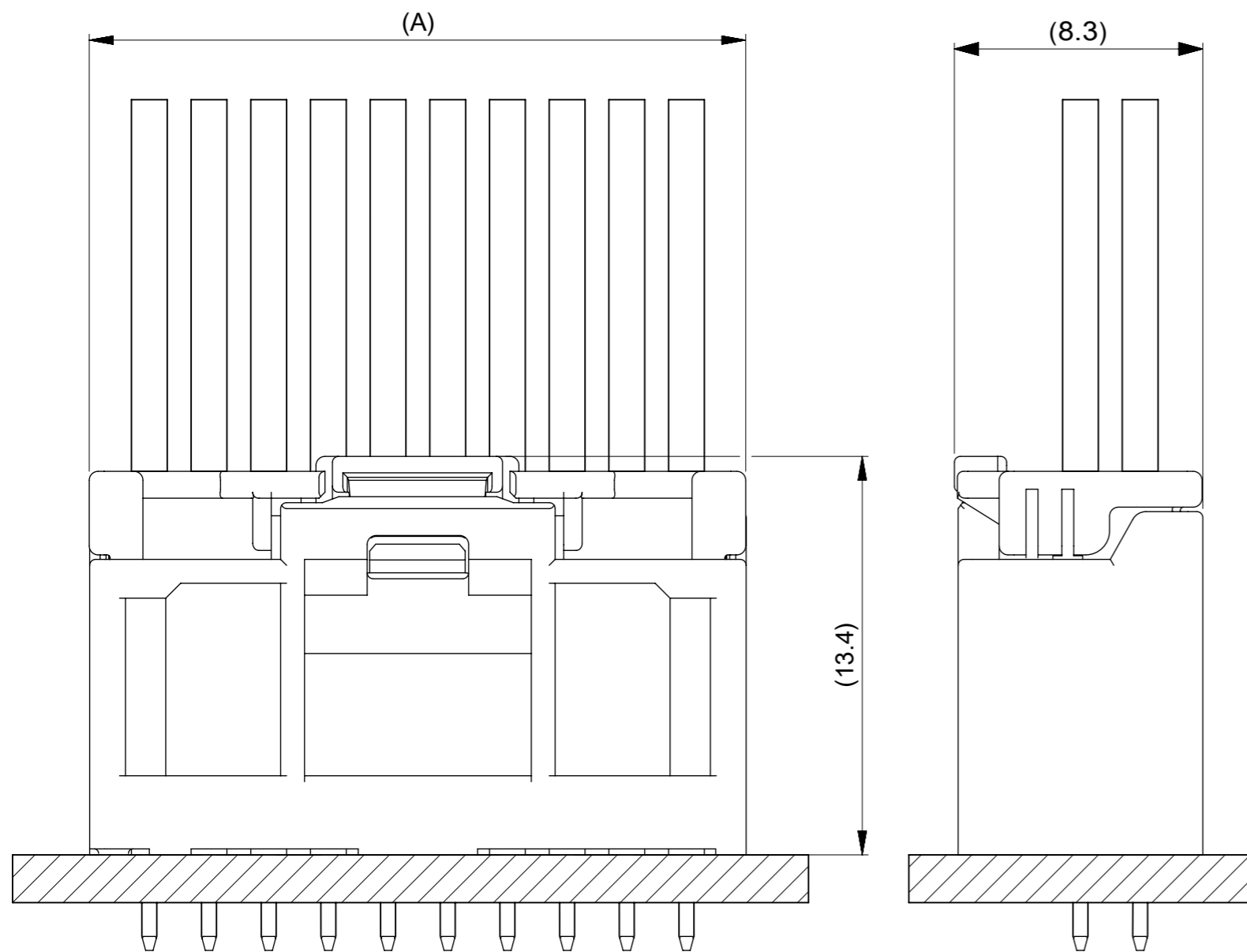
molex

IGRID 2.0 WIRE TO BOARD
DUAL ROW PLUG ASSEMBLY STRAIGHT DIP
(WITH BOSS)

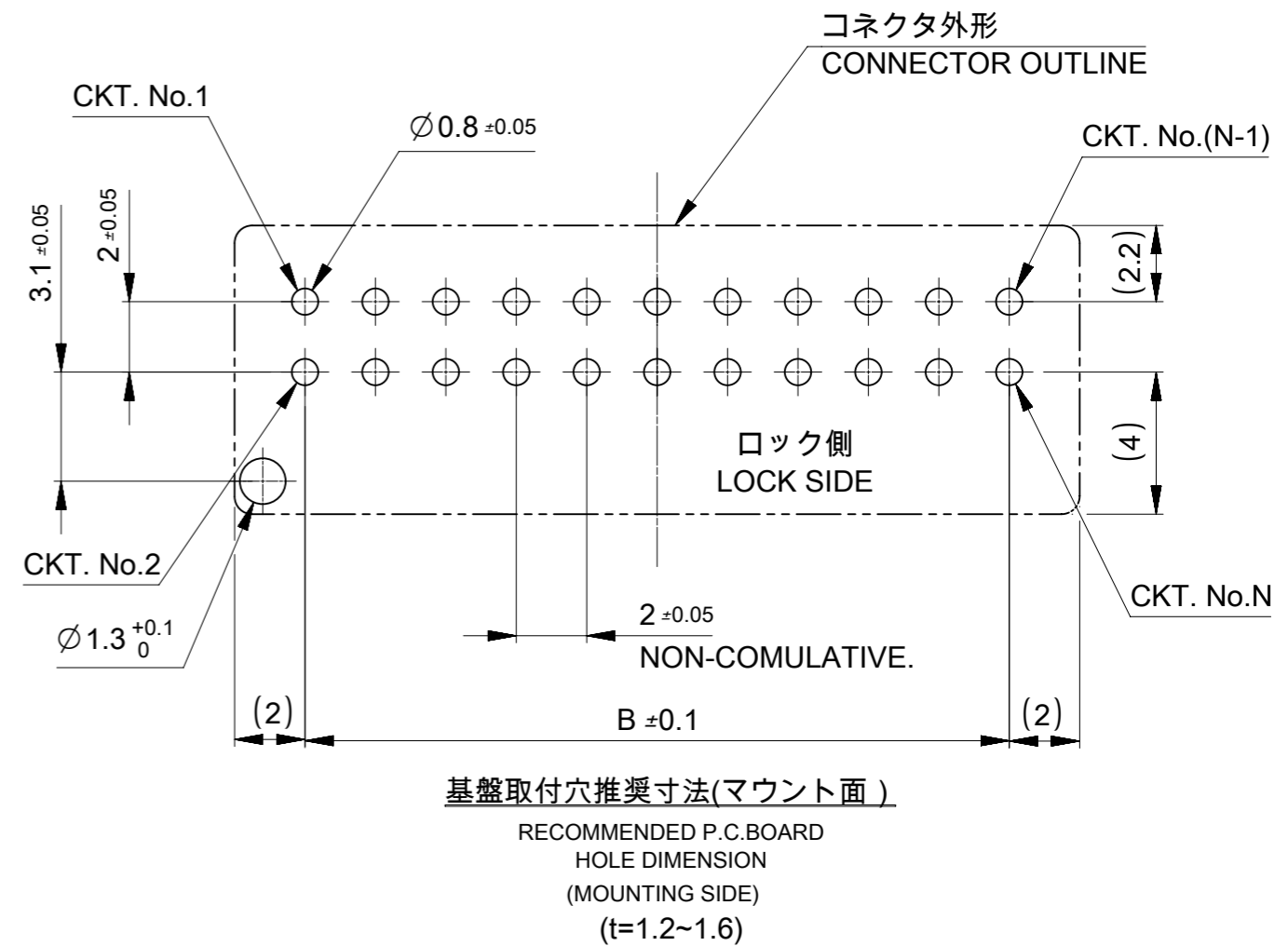
PRODUCT CUSTOMER DRAWING

DOCUMENT NUMBER: 5030910000-SD DOC TYPE: PSD DOC PART: 000 REVISION: B

MATERIAL NUMBER: GENERAL CUSTOMER: SHEET NUMBER: 1 OF 2



嵌合状態図
MATING CONNECTORS



基盤取付穴推奨寸法(マウント面)
RECOMMENDED P.C. BOARD
HOLE DIMENSION
(MOUNTING SIDE)
(t=1.2~1.6)

THIS DRAWING CONTAINS INFORMATION THAT IS PROPRIETARY TO MOLEX ELECTRONIC TECHNOLOGIES, LLC AND SHOULD NOT BE USED WITHOUT WRITTEN PERMISSION											
DIMENSION UNITS		SCALE		CURRENT REV DESC: RELEASED							
mm		NTS 5:1		<div style="text-align: center;">molex</div> IGRID 2.0 WIRE TO BOARD DUAL ROW PLUG ASSEMBLY STRAIGHT DIP (WITH BOSS)							
GENERAL TOLERANCES (UNLESS SPECIFIED)											
ANGULAR TOL ± 3.0°											
4 PLACES ± 0.2											
3 PLACES ± 0.2											
2 PLACES ± 0.2				PRODUCT CUSTOMER DRAWING							
1 PLACE ± 0.2				INITIAL REVISION:		DOCUMENT NUMBER		DOC TYPE		DOC PART	
0 PLACES ± 0.2				DRWN: SNAKAMURA08 2018/03/15		5030910000-SD		PSD		000	
DRAFT WHERE APPLICABLE MUST REMAIN WITHIN DIMENSIONS				APPR: TKANEKO 2018/03/30		SERIES		CUSTOMER		SHEET NUMBER	
				THIRD ANGLE PROJECTION		A3-SIZE		GENERAL		2 OF 2	