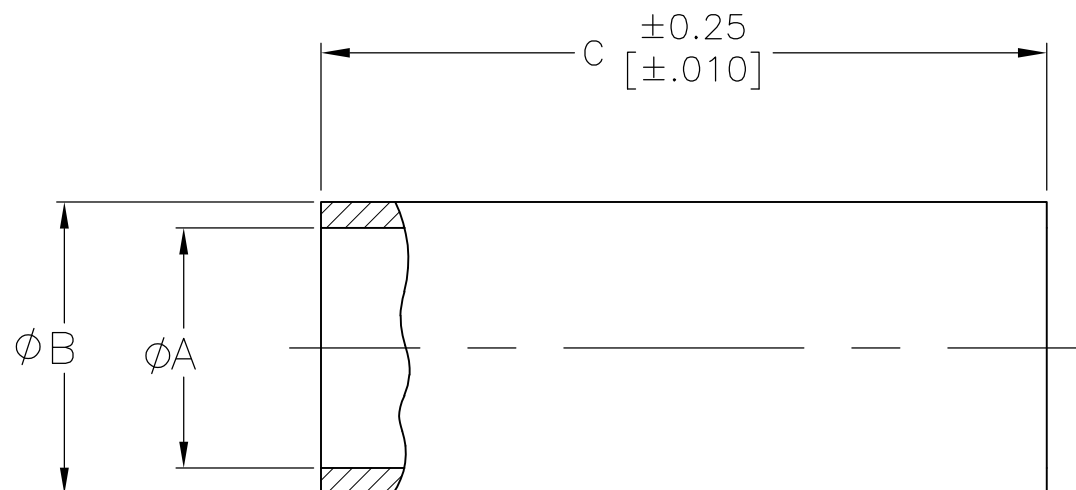


THIS DRAWING IS UNPUBLISHED. RELEASED FOR PUBLICATION
 © COPYRIGHT BY TYCO ELECTRONICS CORPORATION. ALL RIGHTS RESERVED.

| | | | | | |
|-----------|------------|---------------------------|---------|-----|------|
| LOC AJ | DIST 16 | REVISIONS | | | |
| P | LTR | DESCRIPTION | DATE | DWN | APVD |
| | G | REVISED PER ECO-10-008433 | 22MAY10 | HMR | KW |



| | | | | | |
|-------------|-------------|-------------|----|------------|-------------|
| 9.60 [.380] | 4.55 [.179] | 3.51 [.138] | △6 | 9-413889-1 | |
| 9.60 [.380] | 3.86 [.152] | 3.20 [.126] | △6 | 9-413889-0 | |
| 9.60 [.380] | 4.55 [.179] | 3.51 [.138] | △4 | 3-413889-4 | |
| 7.87 [.310] | 3.15 [.124] | 2.49 [.098] | △4 | 3-413889-3 | |
| 7.87 [.310] | 4.55 [.179] | 3.20 [.138] | △4 | 3-413889-2 | |
| 7.87 [.310] | 3.86 [.152] | 3.20 [.126] | △4 | 3-413889-1 | |
| 7.87 [.310] | 3.15 [.124] | 2.49 [.098] | △3 | 3-413889-0 | |
| 7.87 [.310] | 4.55 [.179] | 3.51 [.138] | △3 | 2-413889-7 | |
| 7.87 [.310] | 3.86 [.152] | 3.20 [.126] | △3 | 2-413889-4 | |
| 9.60 [.380] | 3.86 [.152] | 3.20 [.126] | △5 | 2-413889-1 | |
| 9.60 [.380] | 3.86 [.152] | 2.67 [.105] | △4 | 2-413889-0 | |
| 9.60 [.380] | 3.15 [.124] | 2.49 [.098] | △4 | 1-413889-9 | |
| 9.60 [.380] | 4.55 [.179] | 3.51 [.138] | △4 | 1-413889-8 | |
| 9.60 [.380] | 3.86 [.152] | 3.20 [.126] | △4 | 1-413889-7 | |
| 9.60 [.380] | 3.86 [.152] | 2.67 [.105] | △3 | 1-413889-6 | |
| 9.60 [.380] | 3.15 [.124] | 2.49 [.098] | △3 | 1-413889-5 | |
| 9.60 [.380] | 4.55 [.179] | 3.51 [.138] | △3 | 1-413889-4 | |
| 9.60 [.380] | 3.86 [.152] | 3.20 [.126] | △3 | 1-413889-3 | |
| 9.60 [.380] | 3.86 [.152] | 2.67 [.105] | △2 | 1-413889-2 | |
| 9.60 [.380] | 3.15 [.124] | 2.49 [.098] | △2 | 413889-9 | |
| 9.60 [.380] | 4.55 [.179] | 3.51 [.138] | △2 | 413889-6 | |
| 9.60 [.380] | 3.86 [.152] | 3.20 [.126] | △2 | 413889-3 | |
| | C | B | A | FINISH | PART NUMBER |

OBSOLETE

- △1 COPPER ALLOY
- △2 BRIGHT TIN-LEAD PLATE PER ASTM B 545 WITH SUPPLEMENTAL ANTI-FRETTING LUBRICANT.
- △3 NICKEL PLATE.
- △4 GOLD PLATE
- △5 BLACK NICKEL PLATE.
- △6 TIN PLATE PER ASTM B 545 WITH SUPPLEMENTAL ANTI-FRETTING LUBRICANT.

THIS DRAWING IS A CONTROLLED DOCUMENT.

| | | | |
|----------------------------|---|--|---|
| DIMENSIONS: mm [INCHES] | TOLERANCES UNLESS OTHERWISE SPECIFIED: | DWN M. O'BRINE 29OCT99 | Tyco Electronics Corporation Harrisburg, Pa 17105-3608 |
| | 0 PLC ± - 1 PLC ± - 2 PLC ± 0.05 [.002] 3 PLC ± - 4 PLC ± - ANGLES ± - | CHK B. MOYER 29OCT99 APVD B. MOYER 29OCT99 PRODUCT SPEC - APPLICATION SPEC - WEIGHT - | |
| MATERIAL △1 | FINISH SEE TABLE | RESTRICTED TO - | |

CUSTOMER DRAWING SCALE 10:1 SHEET 1 OF 1 REV G