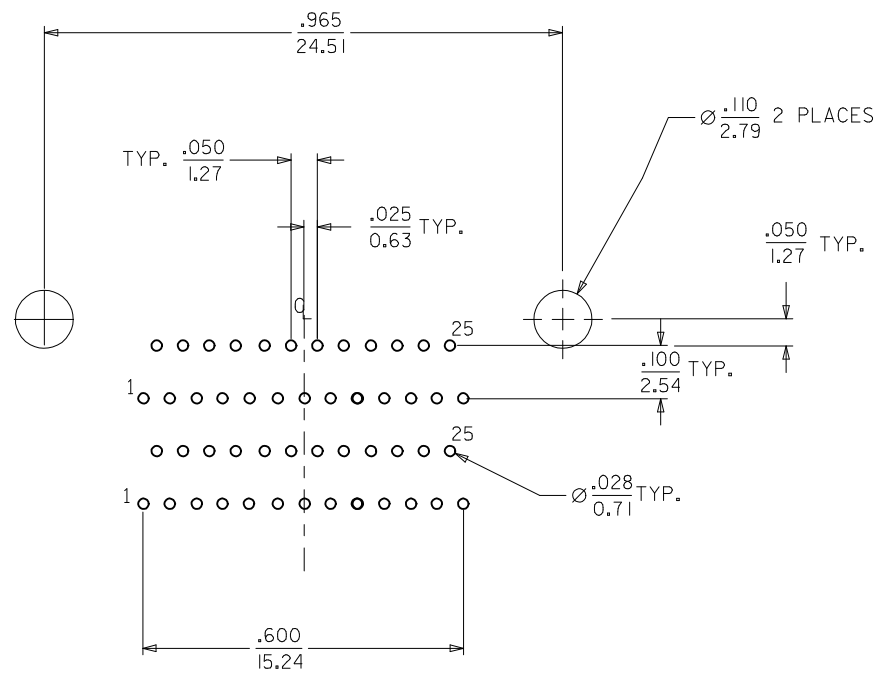


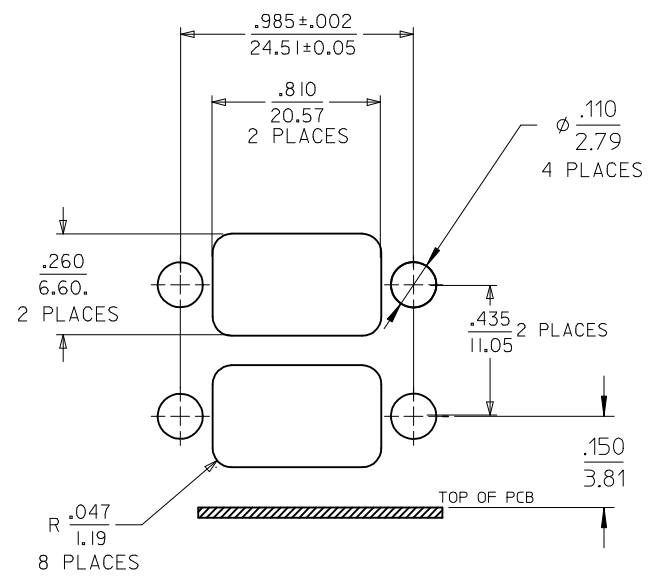
SALES DRAWING

1. MARKING: NONE.  
 2. SEE SHEET 2 FOR PCB LAYOUT AND PANEL CUT-OUT DIMENSIONS.  
 NOTES: UNLESS OTHERWISE SPECIFIED.

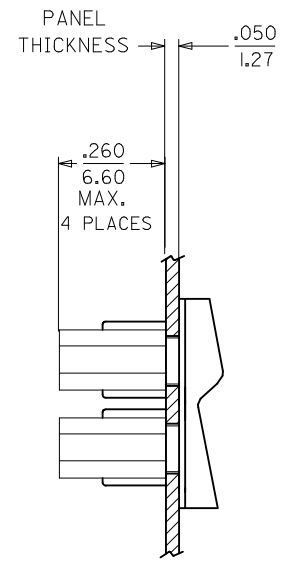
ADD ISO VIEW EC NO: IPG2017-0765 DRWN:RUPERT 2017/03/17 CHKD: APPR:MLEUNG 2017/04/28 REV	QUALITY SYMBOLS	GENERAL TOLERANCES (UNLESS SPECIFIED)	DIMENSION STYLE IN/MM	SCALE 2:1	DESIGN UNITS INCH	THIRD ANGLE PROJECTION
	▽=0 ∇=0	4 PLACES ± --- ± --- 3 PLACES ± --- ± .005 2 PLACES ± 0.13 ± .01 1 PLACE ± 0.25 ± --- ANGULAR ± 1/2°	DRAWN BY JLOMASTR DATE 04/09/22 CHECKED BY RDEROSS DATE 04/09/28 APPROVED BY JFMURPHY DATE 2009/08/26 MATERIAL NO. 836199011	TITLE	DUAL CONNECTOR PLUG COMM. MICRO D PLUG R/A SIZE 25 MOLEX INCORPORATED DOCUMENT NO. SD-83619-007	
	DRAFT WHERE APPLICABLE MUST REMAIN WITHIN DIMENSIONS	SIZE A3	THIS DRAWING CONTAINS INFORMATION THAT IS PROPRIETARY TO MOLEX INCORPORATED AND SHOULD NOT BE USED WITHOUT WRITTEN PERMISSION			
						SHEET NO. 1 OF 2



**RECOMMENDED  
P.C.B. LAY-OUT  
SOLDER SIDE**



**RECOMMENDED  
PANEL CUT-OUT**



SEE SHEET 1 EC NO: IPG2017-0765 DRWN: BRUPERT 2017/03/17 CHKD: APPR: WLEUNG 2017/04/28	QUALITY SYMBOLS	GENERAL TOLERANCES (UNLESS SPECIFIED)	DIMENSION STYLE IN/MM	SCALE 2:1	DESIGN UNITS INCH	THIRD ANGLE PROJECTION															
	▽=0 ◻=0	<table border="1"> <thead> <tr> <th></th> <th>mm</th> <th>INCH</th> </tr> </thead> <tbody> <tr> <td>4 PLACES</td> <td>± ---</td> <td>± ---</td> </tr> <tr> <td>3 PLACES</td> <td>± ---</td> <td>± .005</td> </tr> <tr> <td>2 PLACES</td> <td>± 0.13</td> <td>± .01</td> </tr> <tr> <td>1 PLACE</td> <td>± 0.25</td> <td>± ---</td> </tr> </tbody> </table> ANGULAR ± 1/2°		mm	INCH	4 PLACES	± ---	± ---	3 PLACES	± ---	± .005	2 PLACES	± 0.13	± .01	1 PLACE	± 0.25	± ---	DRAWN BY: JLOMASTR DATE: 04/09/22 CHECKED BY: RDEROSS DATE: 04/09/28 APPROVED BY: JFMURPHY DATE: 2009/08/26	TITLE	DUAL CONNECTOR PLUG COMM. MICRO D PLUG R/A SIZE 25	
		mm	INCH																		
	4 PLACES	± ---	± ---																		
3 PLACES	± ---	± .005																			
2 PLACES	± 0.13	± .01																			
1 PLACE	± 0.25	± ---																			
DRAFT WHERE APPLICABLE MUST REMAIN WITHIN DIMENSIONS	MATERIAL NO. 836199011	MOLEX INCORPORATED DOCUMENT NO. SD-83619-007		SHEET NO. 2 OF 2																	
REV	THIS DRAWING CONTAINS INFORMATION THAT IS PROPRIETARY TO MOLEX INCORPORATED AND SHOULD NOT BE USED WITHOUT WRITTEN PERMISSION																				