

**PLEASE CHECK WWW.MOLEX.COM FOR LATEST PART INFORMATION**

**Part Number:** [63802-6600](#)  
**Status:** **Active**  
**Description:** Rear Feed Mini-Mac™ Applicator for Snap Male Plug Terminals, 14-18 AWG Wire

**Documents:**  
[RoHS Certificate of Compliance \(PDF\)](#)

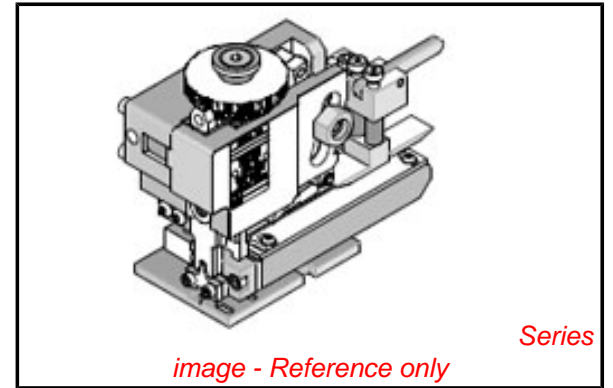
**General**

Product Family	Application Tooling
Series	<a href="#">T1101</a>
Comments	See Tooling Specification (PDF) Above
Function	Crimp
Geographic Area	Global
Level of Automation	Automatic, Semi-Automatic
More Detailed Tech Information	<a href="mailto:applicationtooling@molex.com">applicationtooling@molex.com</a>
Product Name	Mini-Mac™
Survey	<a href="http://www.molex.com//review/apptool_survey.html">www.molex.com//review/apptool_survey.html</a>
Tool Type	Applicator
UPC	883906944520

**Material Info**

**Reference - Drawing Numbers**

Application Tooling Documents [ATS-638026600](#), [TM-638000100](#), [TM-638000100SP](#)



**EU RoHS** **China RoHS**

**Compliance Status**

**Not Reviewed**

**REACH SVHC**

**Not Reviewed**

**Low-Halogen Status**

**Not Reviewed**

**Need more information on product environmental compliance?**

Email [productcompliance@molex.com](mailto:productcompliance@molex.com)  
 For a multiple part number RoHS Certificate of Compliance, [click here](#)

Please visit the [Contact Us](#) section for any non-product compliance questions.

**Search Parts in this Series**

[T1101Series](#)

**Use With**

VibraKrimp™ Snap Plug [19723](#)

<b>Application Tooling</b>	<b>FAQ</b>
<b>Description</b>	<b>Product #</b>

VibraKrimp™ Open Barrel Strip Snap	0197234103
------------------------------------	------------

Plug Receptacle with Strain Relief

VibraKrimp™ Open Barrel Strip Snap	0197234100
------------------------------------	------------

Plug Receptacle, with Strain Relief And Dimple