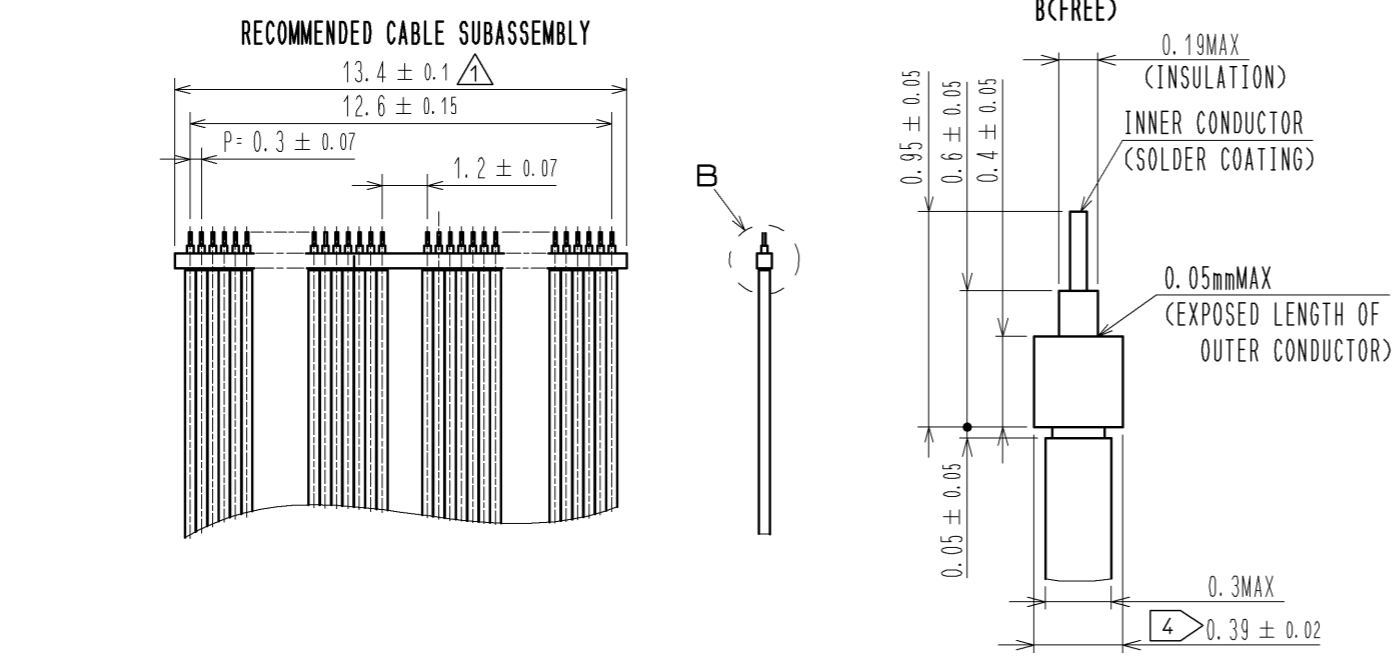
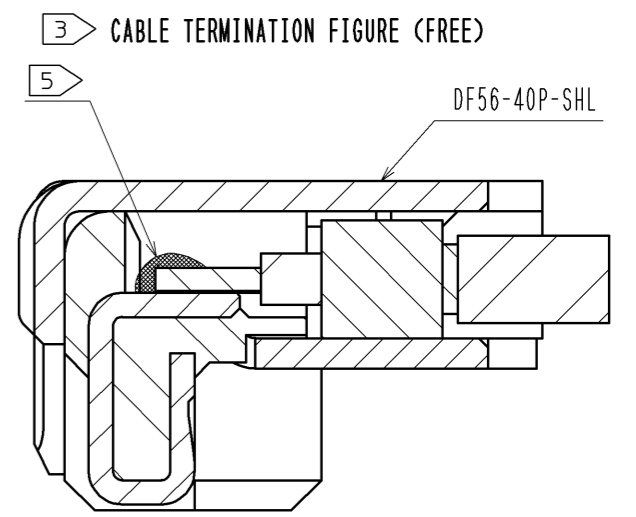
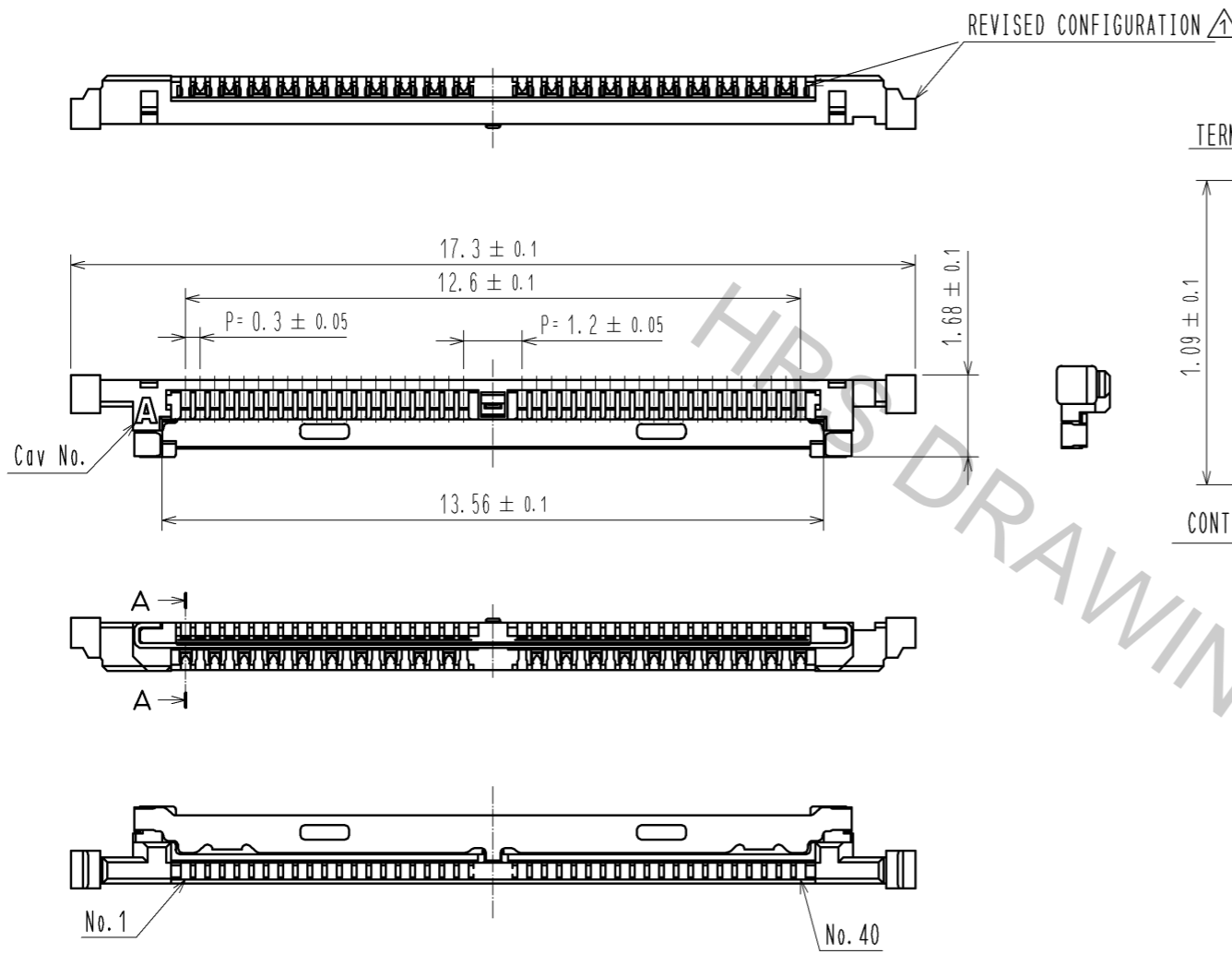


Apr.1.2017 Copyright 2017 HIROSE ELECTRIC CO., LTD. All Rights Reserved.



ITEM No.	PART NAME	PART No.	CODE No.
1, 2, 3	CONNECTOR UNIT	DF56-40P-0.3SD(51)	CL662-5601-3-51
-	METAL SHIELDING	DF56-40P-SHL	CL662-5602-6-00

- NOTES
1. APPLICABLE CABLE: MICRO COAXIAL CABLE(AWG#42~AWG#46)
  2. THIS CONNECTOR IS NOT HOT PLUGGABLE. MATE AND UNMATE WHITE WHILE THE POWER IS OFF.
  3. THE ASSEMBLY IS COMPLETED BY COMBINING TWO PARTS 'CONNECTOR UNIT, AND METAL SHIELDING'. REFER TO THE TABLE FOR EACH ITEM No., PART NAME, PART No AND CODE No.
  4. SOLDER A GRAND BAR WITH AN EXTERNAL CONDUCTOR OF THE CABLE ABOUT STICKING A GRAND BAR TOGETHER.
  5. PLEASE CONSULT ABOUT THE USE OF THE POTTING AND KAPTON TAPE SEPARATELY.

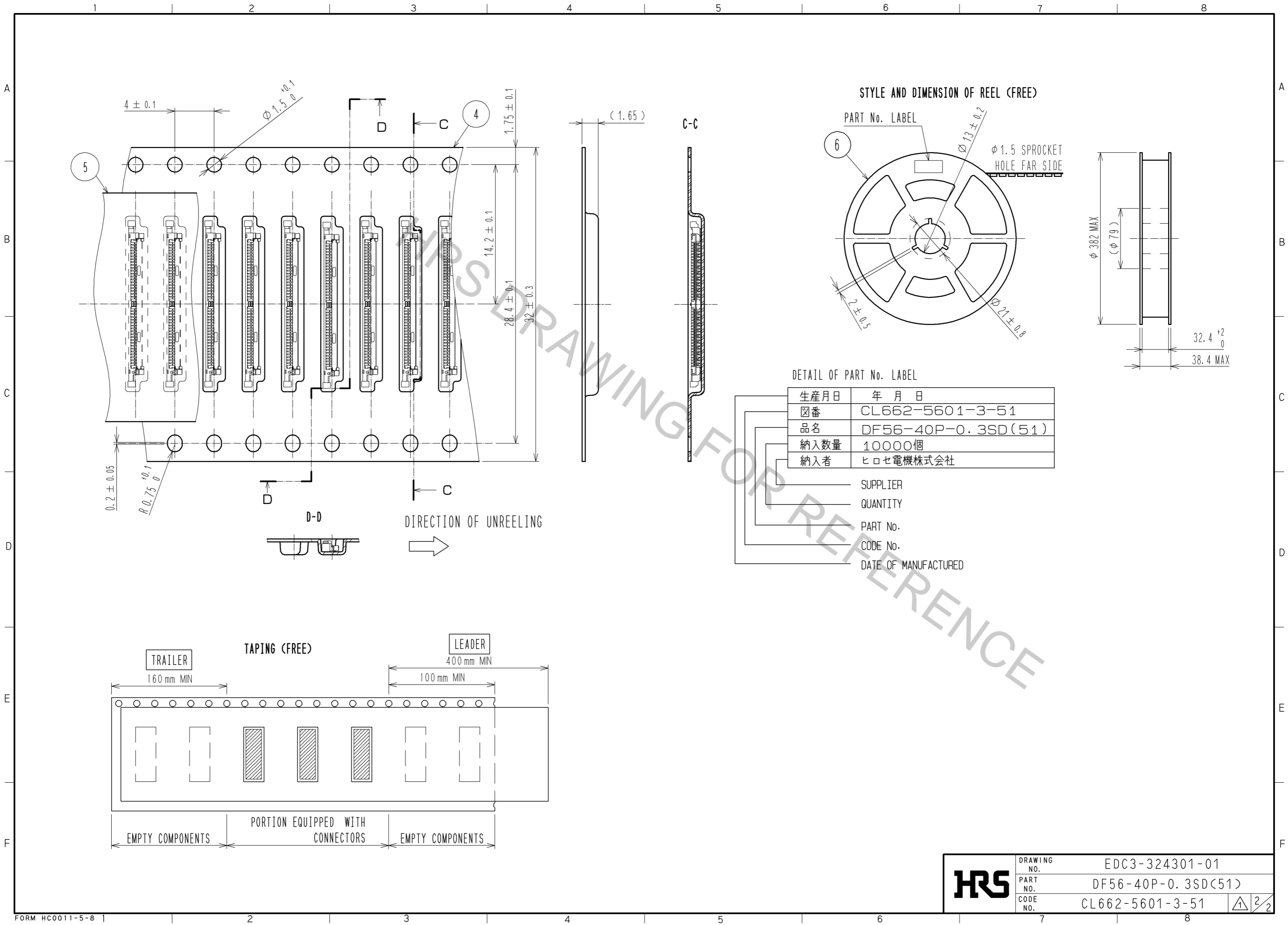
NO.	MATERIAL	FINISH	REMARKS	NO.	MATERIAL	FINISH	REMARKS
2	PHOSPHOR BRONZE	CONTACT AREA : Au PLATING 0.1μm min TERMINATION AREA : Au PLATING 0.1μm min UNDER PLATING : Ni PLATING 1μm min		6	PS	BLACK	
1	LCP	UL94V-0 . BLACK		5	POLYESTER	CLEAR	
				4	PS	CLEAR	
				3	STAINLESS	WHOLE AREA : Sn PLATING 1μm min UNDER PLATING : Ni 0.2μm min	

UNITS	SCALE	COUNT	DESCRIPTION OF REVISIONS	DESIGNED	CHECKED	DATE
mm	FREE	2	DIS-H-005089	AH.MIYAZAKI	IO.DENPOUYA	10.09.15

APPROVED	CHECKED	DESIGNED	DRAWN	DRAWING NO.	PART NO.	CODE NO.
TS.SAKATA	IO.DENPOUYA	AH.MIYAZAKI	AH.MIYAZAKI	EDC3-324301-01	DF56-40P-0.3SD(51)	CL662-5601-3-51
10.07.29	10.07.29	10.07.29	10.07.29			



<b>HRS</b>	DRAWING NO.	EDC3-324301-01
	PART NO.	DF56-40P-0.3SD(51)
	CODE NO.	CL662-5601-3-51
		△ 2/2