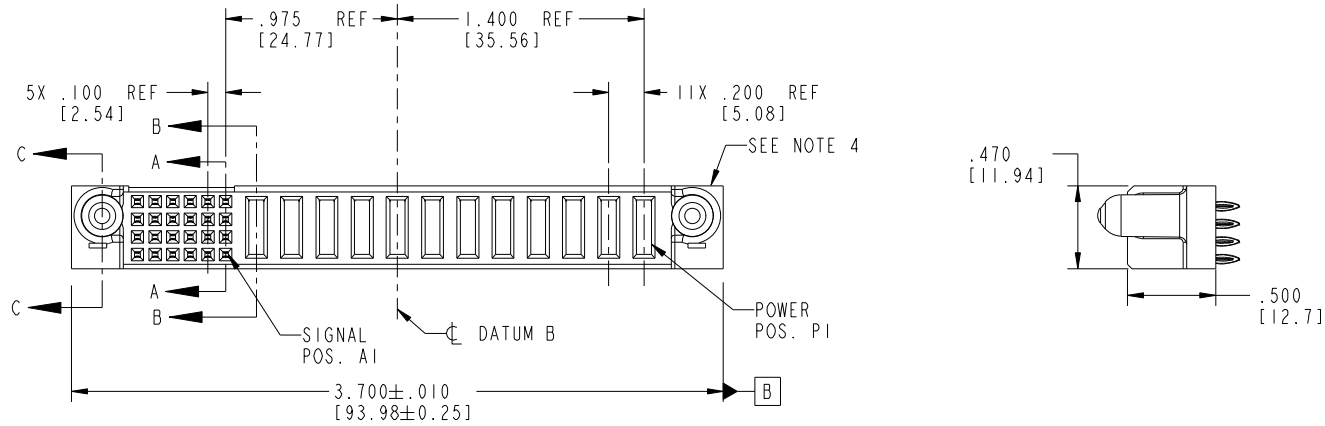


Tous droits strictement réservés. Reproduction ou communication a des tiers interdite sous quelque forme que ce soit sans autorisation écrite du propriétaire. Property of FCI. Droits de reproduction FCI.



All rights strictly reserved. Reproduction or issue to third parties in any form whatever is not permitted without written authority from the proprietor. Property of FCI. Copyright FCI.

PRODUCT NO.	ROWS	SIGNAL					POWER										E1				
		E2	6	5	4	3	2	1	P12	P11	P10	P9	P8	P7	P6	P5		P4	P3	P2	P1
51940-062-- NOTE 3	D r B A		F	F	F	F	F	F	PC	PC	PC	PC	PC	PC	PC	PC	PC	PC	PC	PC	



CODE	DIM "M" MATING LENGTH	CONTACT TYPE
F	N/A [N/A]	SIGNAL
PC	.042 [1.07]	POWER

mat'l code				SEE NOTE 2		tolerances unless otherwise specified		CUSTOMER		 www.fciconnect.com	
ltr	ecn no.	dr	date	linear	.XX±.01/0.X±0.3	angles	0°±2°	COPY		title	
A	V03-1123	TAB	10/15/03	enr	.XXX±.005/0.XX±0.13	dr	T. BRUNGARD 10/15/03	projection		12P + 24S	
B	DG06-0487	Cenh	11/21/06	chr	.XXX±.0020/0.XXX±0.051	enr	M. GRAY 10/15/03	 INCH/MM		VERTICAL PRESS-FIT RECEPT	
				appd	M. GRAY 10/15/03	scale	1:1	product family		PwrBlade	code
				sheet index	revision sheet			size		dwg no	213
				B	B	B	B	A		51940-062	sheet 1 of 4
				1	2	3	4	cage code		22526	4

1 | 2

Pro/E

3 |

cage code 22526

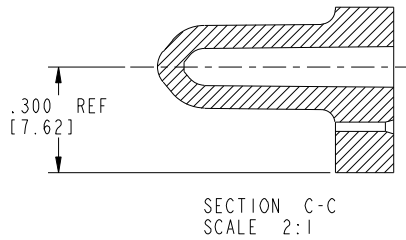
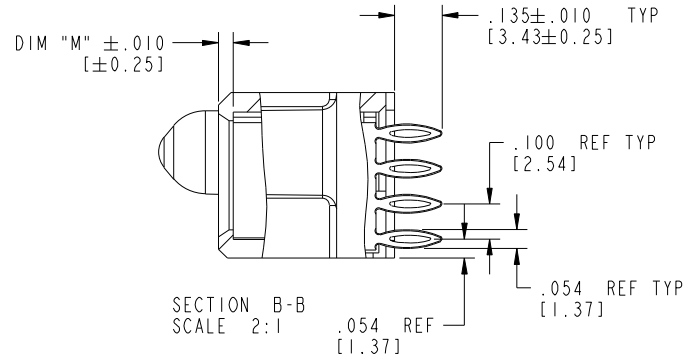
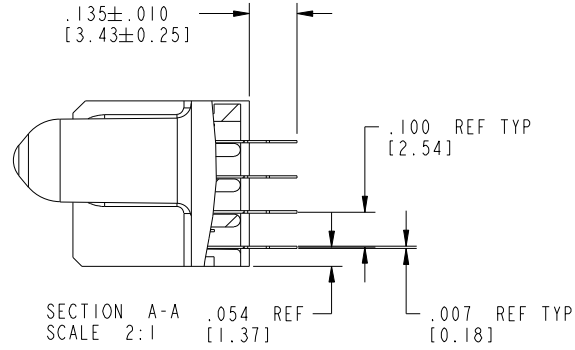
4

Tous droits strictement réservés. Reproduction ou communication à des tiers interdite sous quelque forme que ce soit sans autorisation écrite du propriétaire. Propriété de c FCI. Droits de reproduction FCI.



All rights strictly reserved. Reproduction or issue to third parties in any form whatever is not permitted without written authority from the proprietor. Property of FCI. Copyright FCI.

PRODUCT NUMBER  
51940-062--  
NOTE 3



mat'l code		SEE NOTE 2		tolerances unless otherwise specified		CUSTOMER		 www.fciconnect.com	
ltr	ecn no.	dr	date	linear	.XX ± .01 / 0.X ± 0.3	COPY		title	
B					.XXX ± .005 / 0.XX ± 0.13	projection		12P + 24S	
				angles	.XXX ± .0020 / 0.XXX ± 0.051			VERTICAL PRESS-FIT RECEPT	
				dr	0° ± 2°	INCH/MM		product family	
				enr	T. BRUNGARD 10/15/03	scale		PwrBlade	
				chr	M. GRAY 10/15/03	1:1		code	
				appd	M. GRAY 10/15/03	A		213	
sheet index		revision sheet				size		dwg no	
						A		51940-062	
								sheet	
								2 of 4	

Pro/E

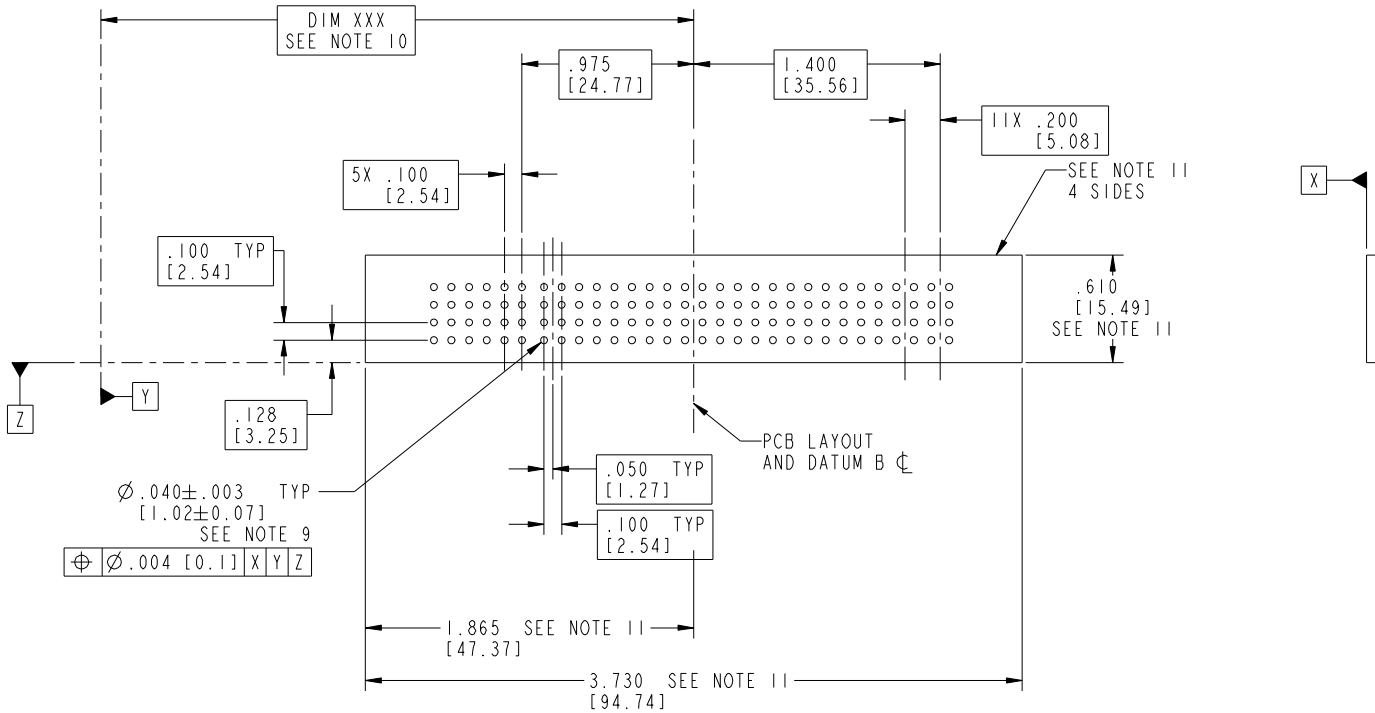
cage code 22526

Tous droits strictement réservés. Reproduction ou communication à des tiers interdite sous quelque forme que ce soit sans autorisation écrite du propriétaire. Propriété de c.FCI. Droits de reproduction FCI.



All rights strictly reserved. Reproduction or issue to third parties in any form whatsoever is not permitted without written authority from the proprietor. Property of FCI. Copyright FCI.

PRODUCT NUMBER  
51940-062--  
NOTE 3



mat'l code		SEE NOTE 2		tolerances unless otherwise specified		CUSTOMER		FCI		www.fciconnect.com	
ltr	ecr no.	dr	date	linear	.XX±.01/0.X±0.3	COPY		title			
B					.XXX±.005/0.XX±0.13	projection		12P + 24S			
				angles	.XXX±.0020/0.XXX±0.051			VERTICAL PRESS-FIT RECEPT			
				dr	0°±?	INCH/MM		product family		PwrBlade	code
				enr	T. BRUNGARD 10/15/03	scale		size		dwg no	213
				chr	M. GRAY 10/15/03	1:1		A		51940-062	sheet
				appd	M. GRAY 10/15/03						3 of 4
sheet index	revision sheet										

Pro/E

cage code 22526

Tous droits strictement reserves. Reproduction ou communication a des tiers interdite sous quelque forme que ce soit sans autorisation écrite du propriétaire. Propriete de c FCI. Droits de reproduction FCI.



All rights strictly reserved. Reproduction or issue to third parties in any form whatever is not permitted without written authority from the proprietor. Property of FCI. Copyright FCI.

PRODUCT NUMBER  
51940-062--  
NOTE 3

NOTES:

1. DIMENSIONS AND TOLERANCES ARE IN ACCORDANCE WITH ASME Y14.5M, 1994 UNLESS OTHERWISE SPECIFIED.

CONNECTOR NOTES:

- 2 HOUSING MATERIAL: UL 94 V-0 GLASS FILLED  
HIGH-TEMP THERMOPLASTIC  
POWER CONTACT MATERIAL: COPPER ALLOY  
SIGNAL PIN MATERIAL: COPPER ALLOY
- 3. SEE PRINT 10064183 FOR PLATING SPEC. OF 51940-062;51940-062LF
- 4 MANUFACTURER'S NAME, P/N, AND DATE CODE TO APPEAR ON THIS SURFACE.
- 5. PRODUCT SPECIFICATION GS-12-149.  
APPLICATION SPECIFICATION BUS-20-067.
- 6. PACKAGED IN TRAYS.

PCB NOTES:

- 7. ALL HOLE DIAMETERS ARE FINISHED HOLE SIZE.
- 8 MOUNTING HOLES, WHERE APPLICABLE, ARE UNPLATED.
- 9  $\varnothing .0453 \pm .0010$  [1.151  $\pm$  0.025] DRILLED HOLES PLATED WITH .0003 [0.008] MIN SnPb OR Sn OVER .001 [0.03] TO .003 [0.08] Cu PLATING TO ACHIEVE  $\varnothing .040 \pm .003$  [1.02  $\pm$  .07] HOLE.
- 10 "DIM XXX" TO BE DETERMINED BY THE CUSTOMER.
- 11 CONNECTOR KEEP-OUT ZONE.

mat'l code		SEE NOTE 2		tolerances unless otherwise specified		CUSTOMER		FCJ		www.fciconnect.com	
ltr	ecn no.	dr	date	linear	.XX±.01/0.X±0.3	COPY					
B				linear	.XXX±.005/0.XX±0.13	projection	title 12P + 24S				
				angles	.XXX±.0020/0.XXX±0.051			VERTICAL PRESS-FIT RECEPT			
				dr	0°±?	INCH/MM		product family	PwrBlade	code	213
				enrg	T. BRUNGARD 10/15/03	scale		size	dwg no	sheet	4 of 4
				chr	M. GRAY 10/15/03	1:1		A 51940-062			
				appd	M. GRAY 10/15/03						
sheet index	revision sheet										

cage code 22526