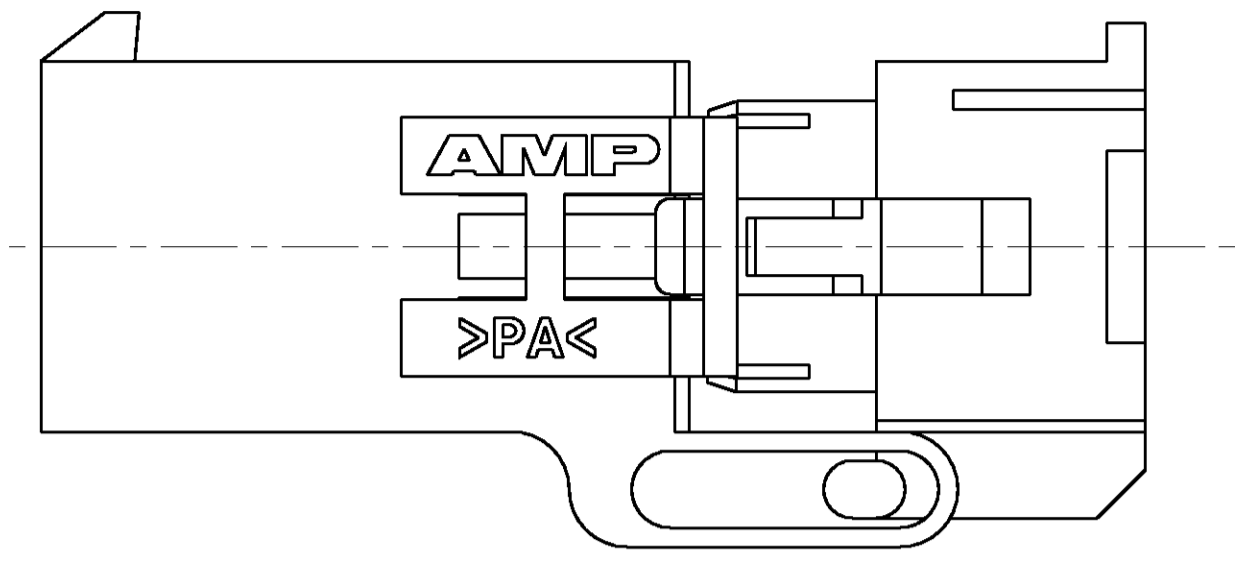
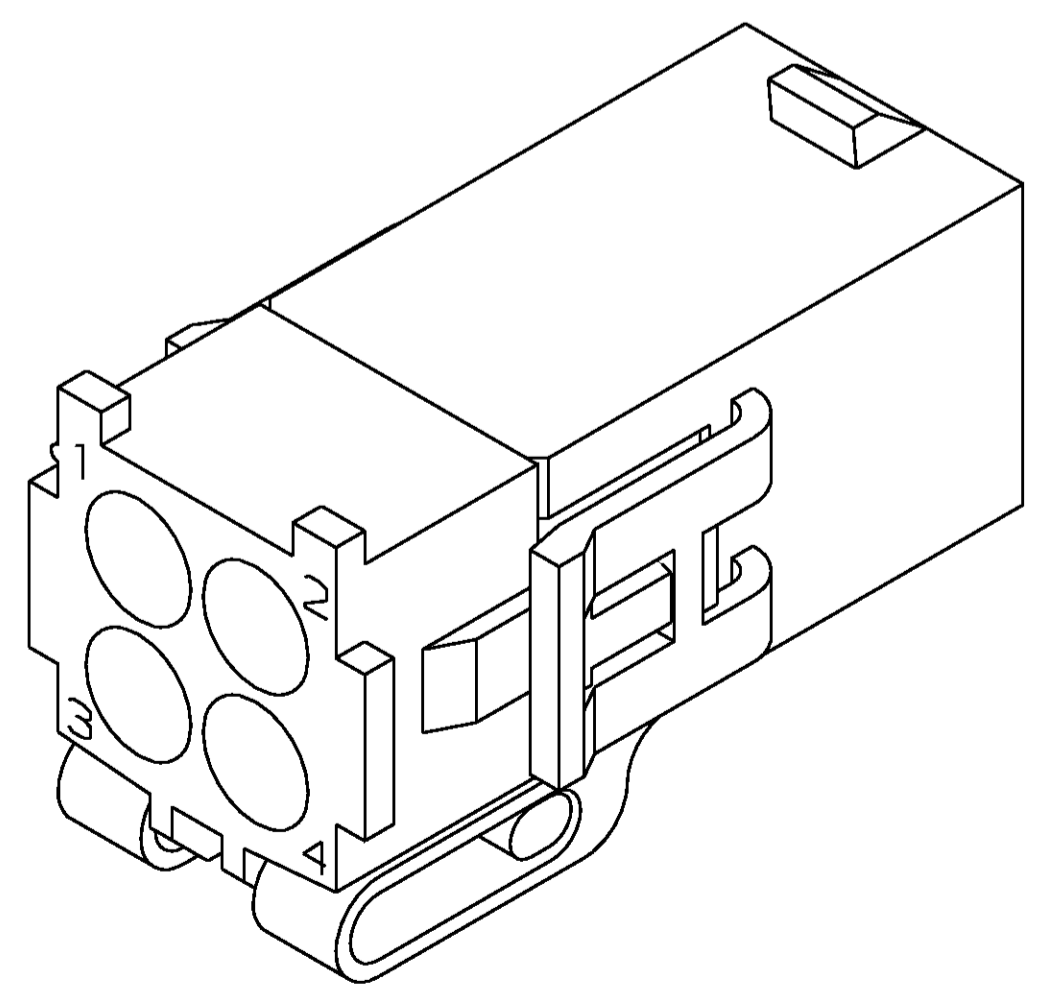
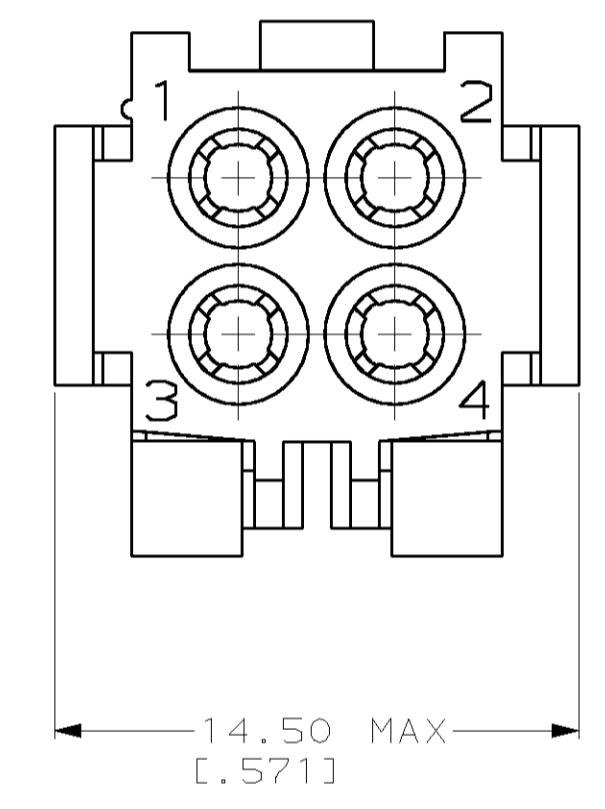
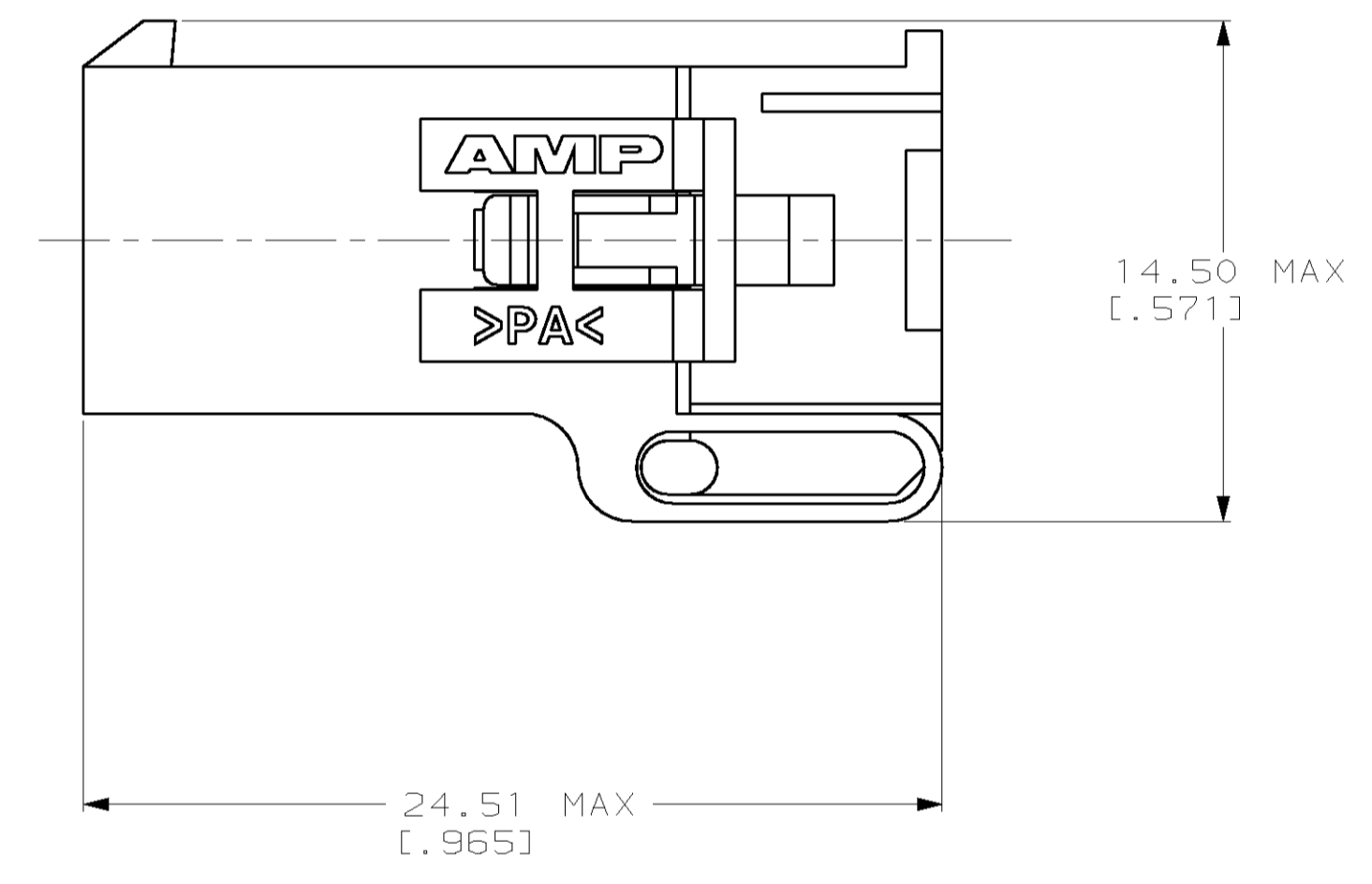
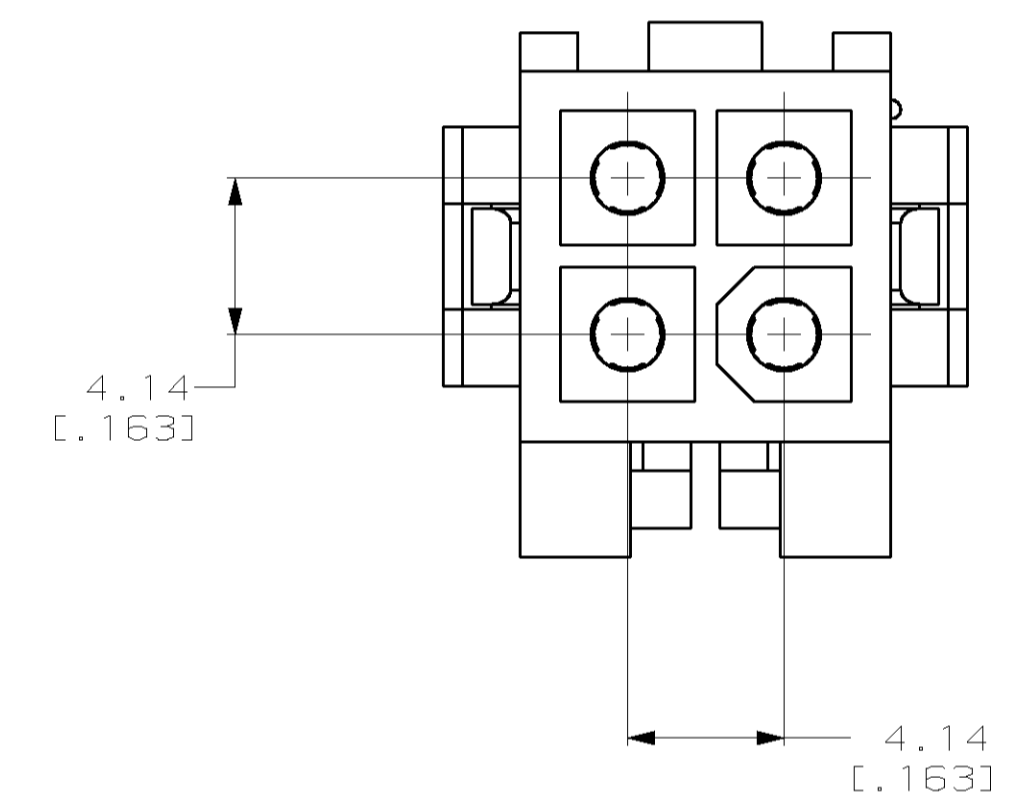


LOC		DIST		REVISIONS			
NO	BY	DATE	DESCRIPTION	DATE	BY	APPROV	
CM	53						
C			REVISED PER EC 063B-0375-03	06-JUN-03	KW	CJ	



PRE-STAGED CONDITION

1. DIMENSIONS IN BRACKETS ARE IN INCHES.



3-DIMENSIONAL MODEL
NTS

794189-1
PART NUMBER



THIS DRAWING IS A CONTROLLED DOCUMENT.		DWN K. WHITAKER	5-12-97	AMP AMP Incorporated Harrisburg, PA 17105-3608
		DIR R. SWING	5-12-97	
		APPROV E. ORSTAD	5-12-97	NAME CAP, 4 CIRCUIT, MINI UNIVERSAL MATE-N-LOK™ 2
DIMENSIONS:		TOLERANCES UNLESS OTHERWISE SPECIFIED:		PRODUCT SPEC
mm		0 PLC	±	APPLICATION SPEC
		1 PLC	±	RESTRICTED TO
		2 PLC	±0.13 (1.0051)	SIZE CAGE CODE DRAWING NO
		3 PLC	±	A1 00779
		4 PLC	±	SCALE 5:1 SHEET 1 OF 1 REV C
		ANGLES	±	WEIGHT
			±0°30'	CUSTOMER DRAWING
MATERIAL NYLON, UL 94V-0,NATURAL		FINISH -		