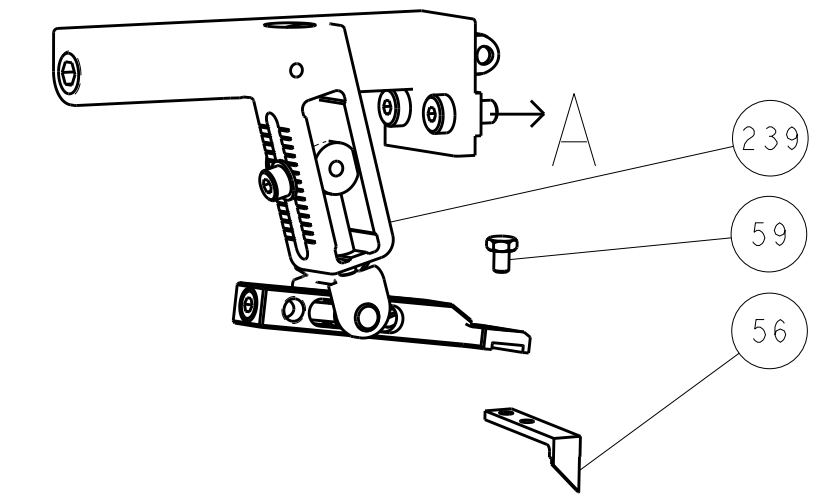


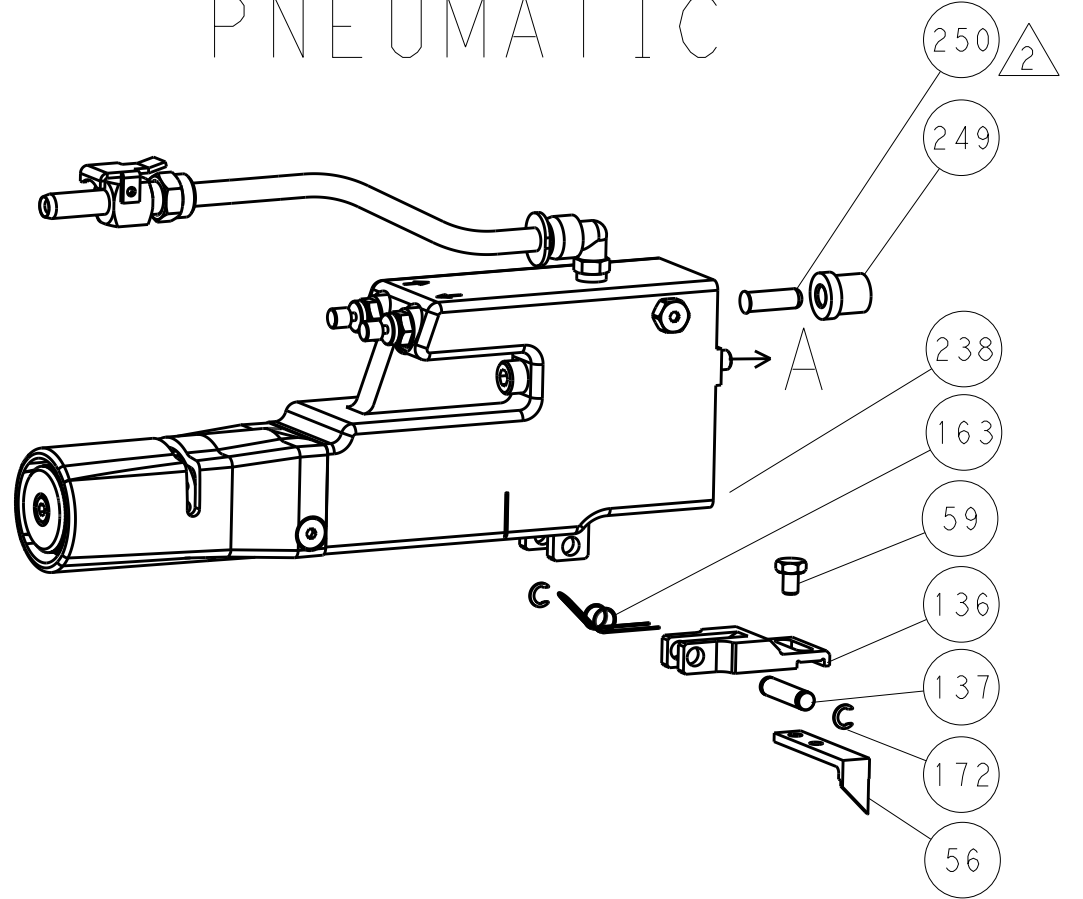


| LOC | DIST | REV | DATE | BY | APPV |
|-----|------|-----|------|----|------|
| A   | 66   |     |      |    |      |

### FEED TYPE MECHANICAL



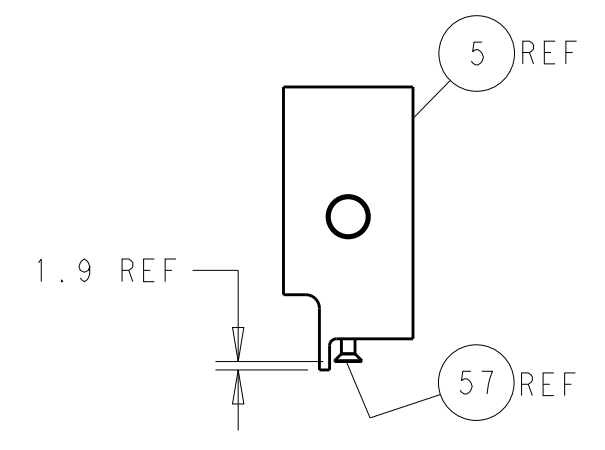
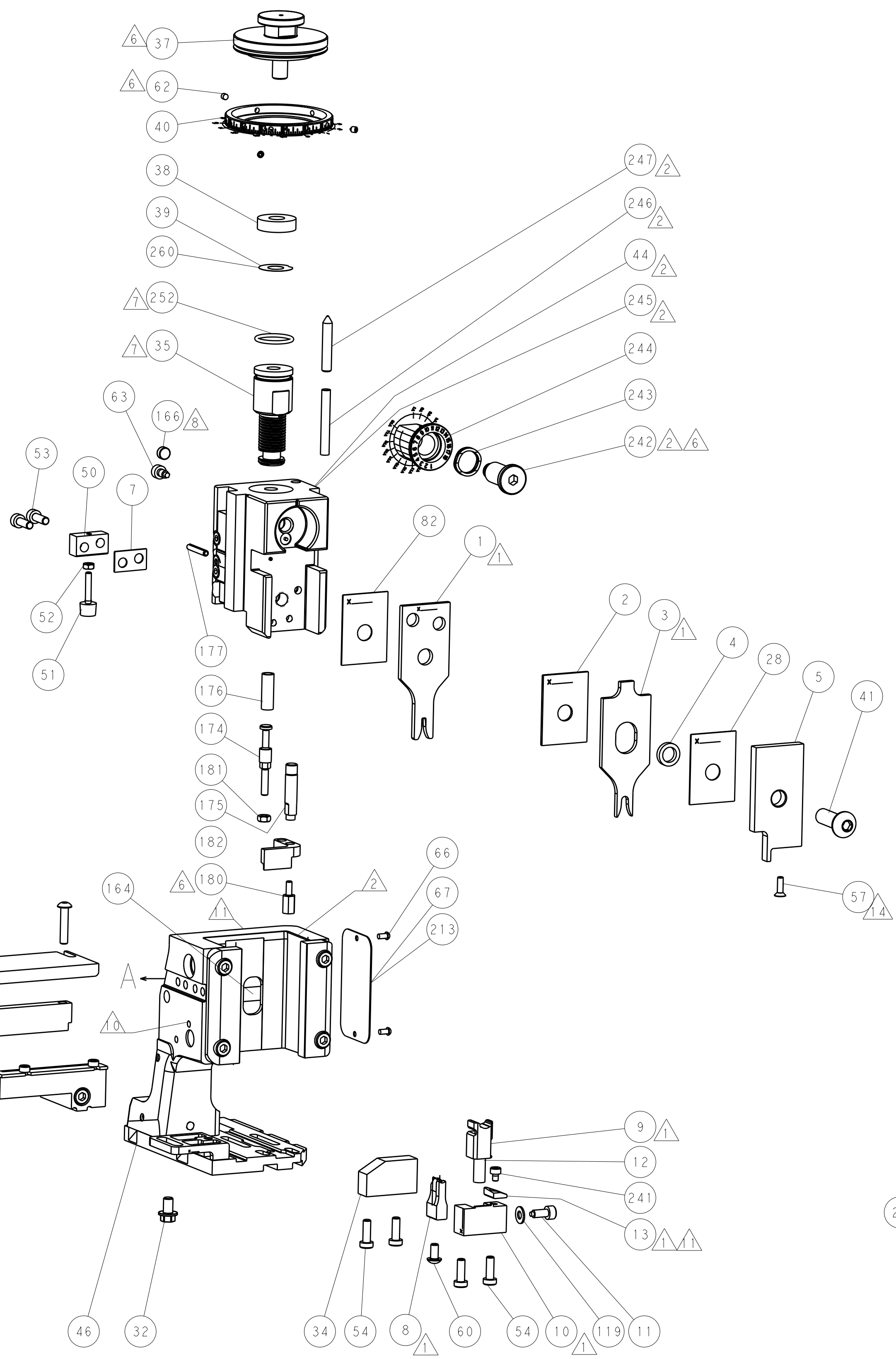
### PNEUMATIC



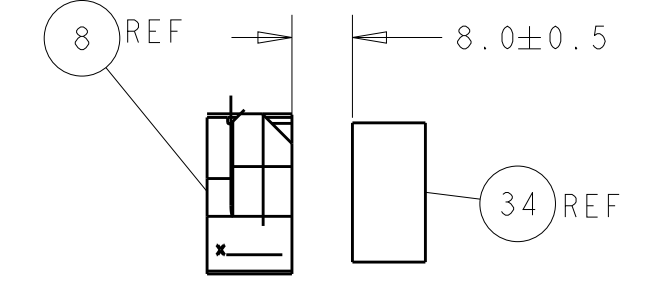
### SERVO LATCH PLATE



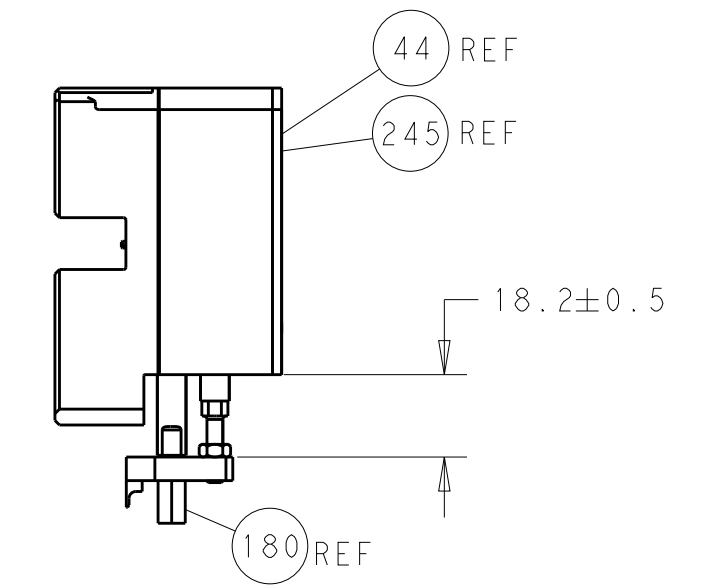
### CAM POSITIONS



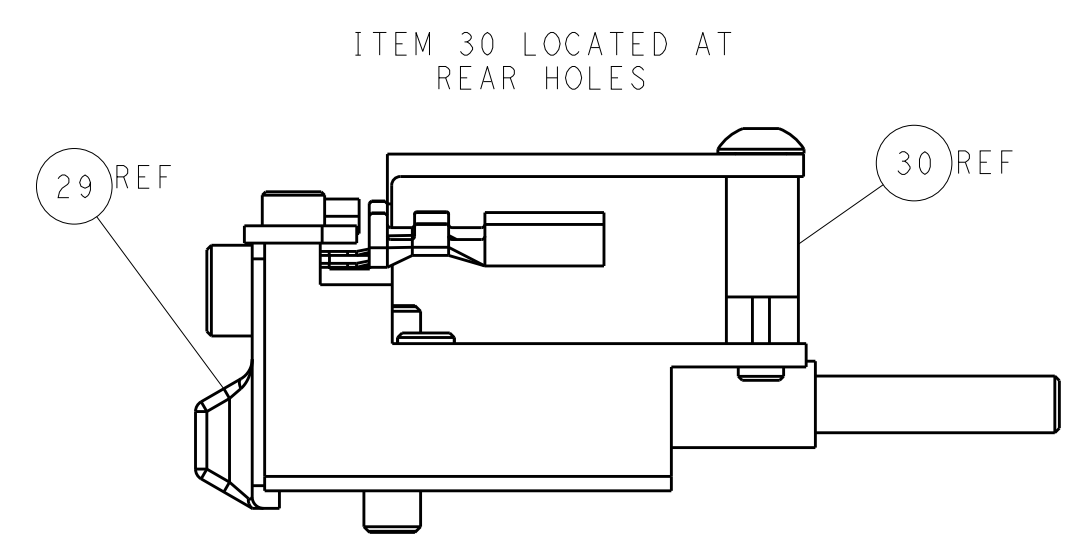
SHEAR DEPRESSOR DETAIL



TERMINAL SUPPORT LOCATION



HOLDDOWN SET-UP



FEED TRACK POSITION GUIDE BY INSULATION BARREL

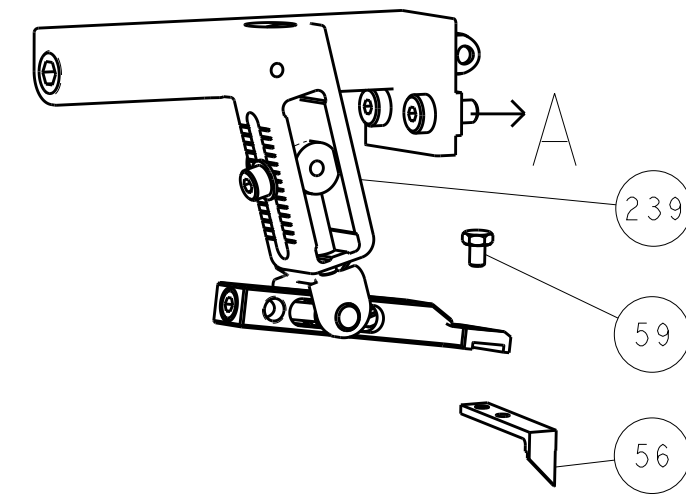
**ATLANTIC VERSION**  
 Shown on sheets 1 of 4 & 2 of 4  
 (Pacific version shown on sheets 3 of 4 & 4 of 4)

| DIMENSIONS:                            |        | TOLERANCES UNLESS OTHERWISE SPECIFIED: |  | DWG     |                            | REV        |               |
|--|--------|--|--|---------|----------------------------|------------|---------------|
| mm                                     | 0 PLC  | ±                                      |  | X_ZHAO  | 26SEP2013                  |            |               |
|  | 1 PLC  | ±                                      |  | CHS     | 26SEP2013                  |            |               |
|  | 2 PLC  | ±                                      |  | T_ELFIN | 26SEP2013                  |            |               |
|  | 3 PLC  | ±                                      |  | L_ZHANG | 26SEP2013                  |            |               |
|  | 4 PLC  | ±                                      |  |         |                            |            |               |
|  | ANGLES | ±                                      |  |         |                            |            |               |
| MATERIAL                               | FINISH |  |  | NAME    | Ocean Side Feed Applicator |            |               |
|  |        |  |  | SIZE    | CAGE CODE                  | DRAWING NO | RESTRICTED TO |
|  |        |  |  | A1      | 00779                      | 2266055    |               |
| Customer Accessible Production Drawing |        |  |  | SCALE   | 1:2                        | SHEET      | 2 of 4        |

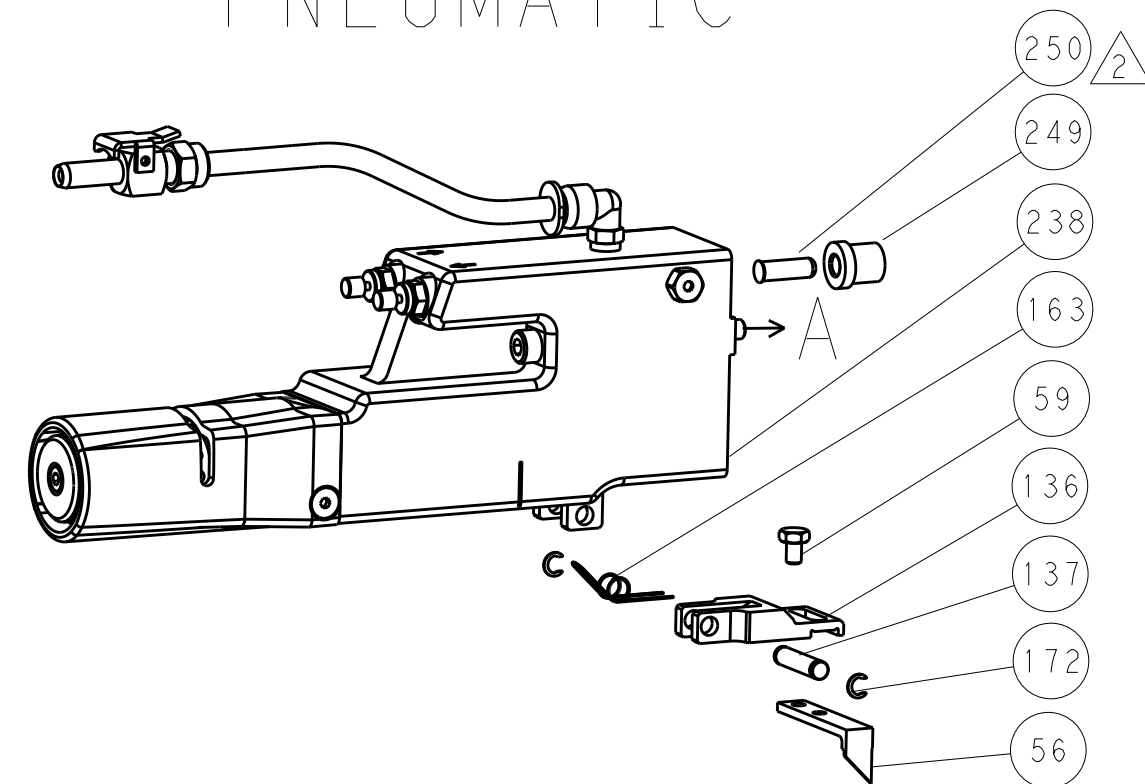


| LOC |    | DIST |     | REVISIONS   |      |     |      |
|-----|----|------|-----|-------------|------|-----|------|
| A   | 66 | P    | LTM | DESCRIPTION | DATE | OWN | APVD |
|     |    | -    | -   | SEE SHEET 1 | -    | -   | -    |

# FEED TYPE MECHANICAL



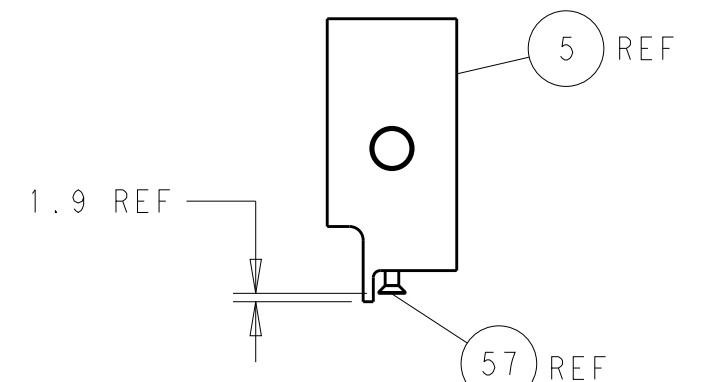
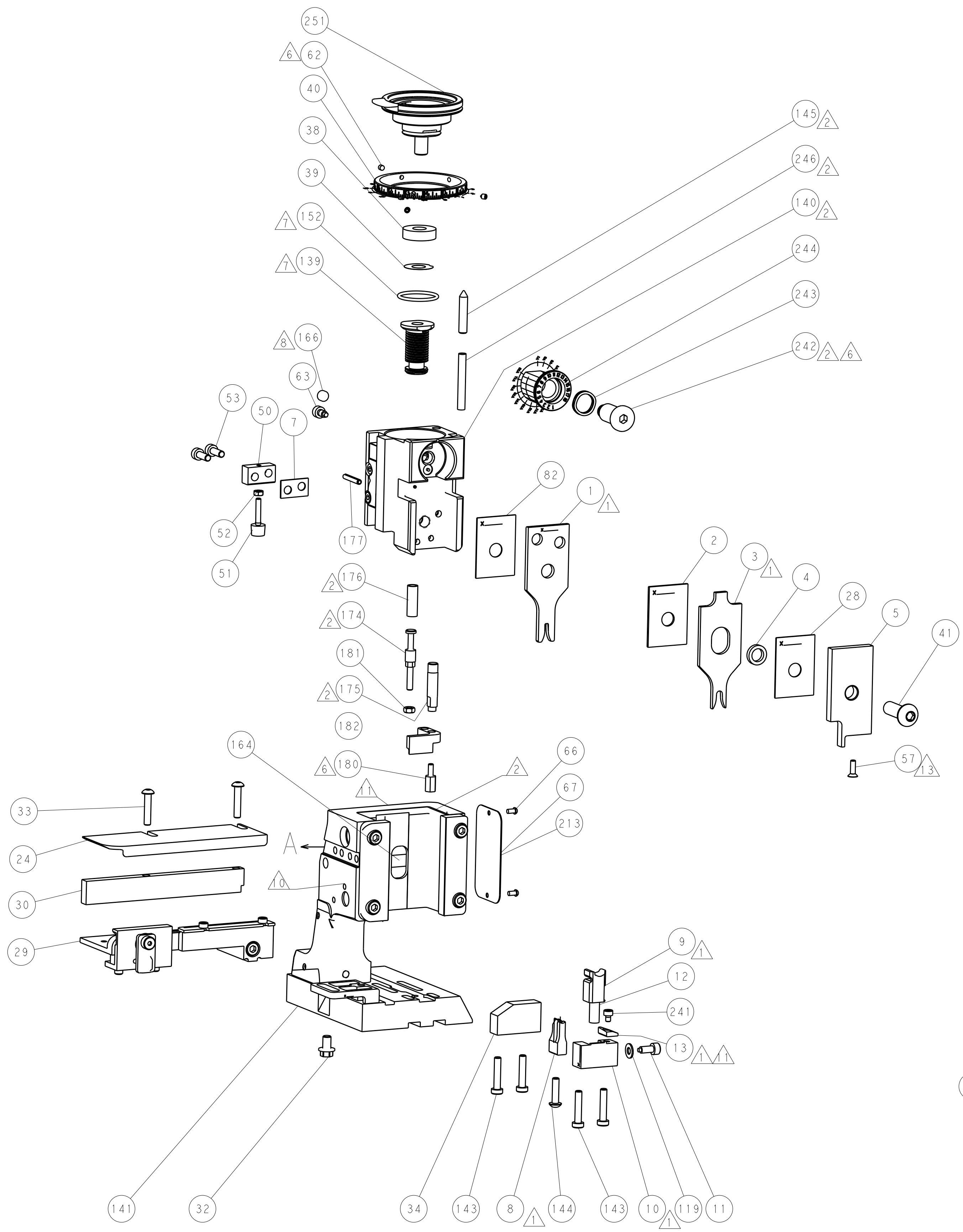
# PNEUMATIC



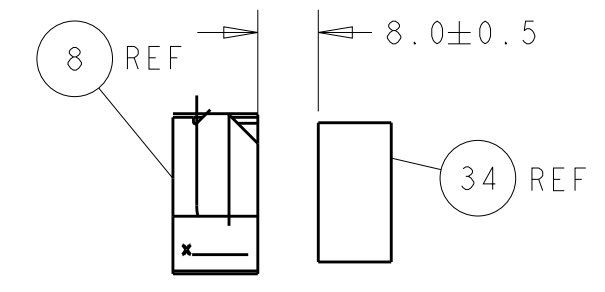
# SERVO LATCH PLATE



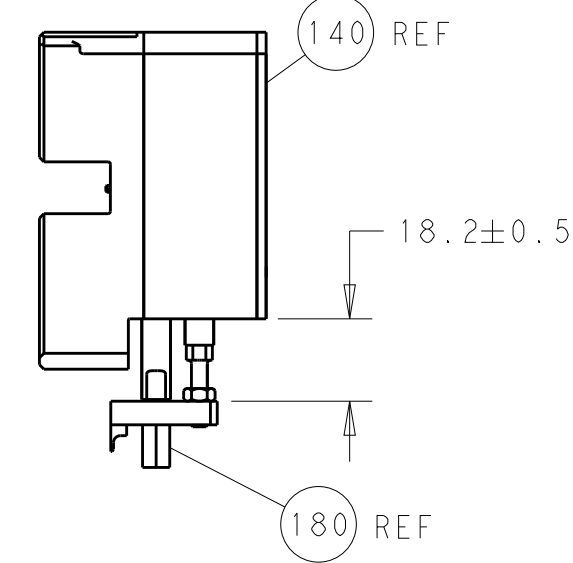
# CAM POSITIONS



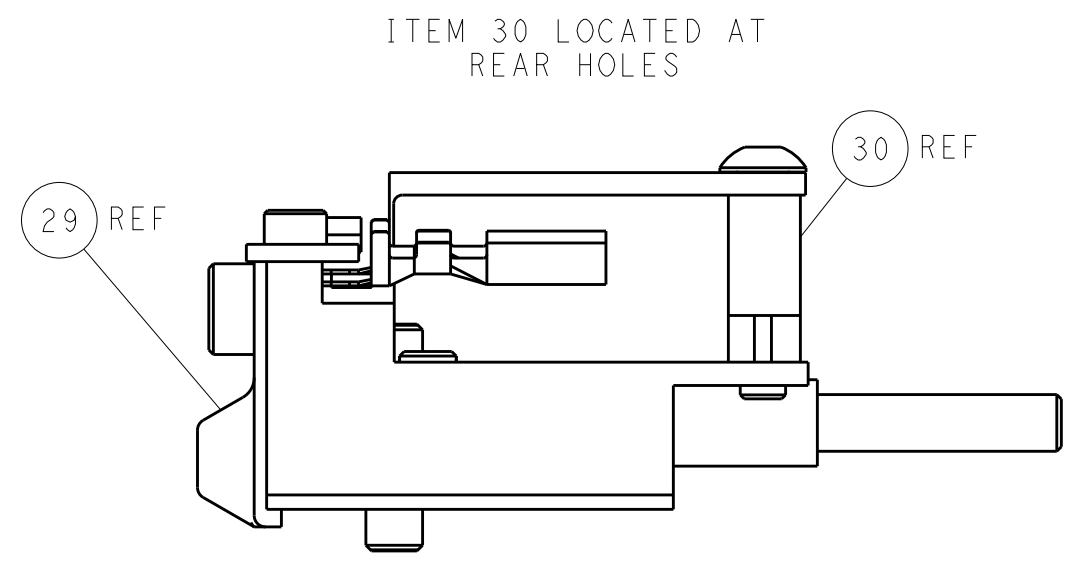
SHEAR DEPRESSOR DETAIL



TERMINAL SUPPORT LOCATION



HOLDDOWN SET-UP



FEED TRACK POSITION GUIDE BY INSULATION BARREL

**PACIFIC VERSION**  
 Shown on sheets 3 of 4 & 4 of 4  
 (Atlantic version shown on sheets 1 of 4 & 2 of 4)

|             |        |  |  |                          |   |                 |  |
|-------------|--------|--|--|--------------------------|---|-----------------|--|
| DIMENSIONS: |        | TOLERANCES UNLESS OTHERWISE SPECIFIED: |  | DWG: X. ZHAO 26SEP2013   |   | TE Connectivity |  |
| mm          | 0 PLC  | ±                                      |  | CHK: T. ELBIN 26SEP2013  | Harrisburg, PA 17105-3608                             |                 |  |
|             | 1 PLC  | ±                                      |  | APVD: L. ZHANG 26SEP2013 | NAME: Ocean Side Feed Applicator                      |                 |  |
|             | 2 PLC  | ±                                      |  |                          | SIZE: CAGE CODE: DRAWING NO: 00779 ©=2266055          |                 |  |
|             | 3 PLC  | ±                                      |  |                          | RESTRICTED TO: Customer Accessible Production Drawing |                 |  |
|             | 4 PLC  | ±                                      |  |                          | SCALE: 1:2 SHEET 4 OF 4 REV C                         |                 |  |
|             | ANGLES | ±                                      |  |                          |   |                 |  |