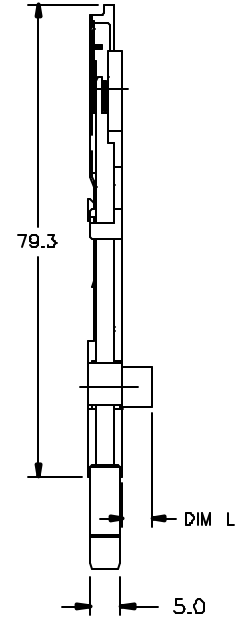
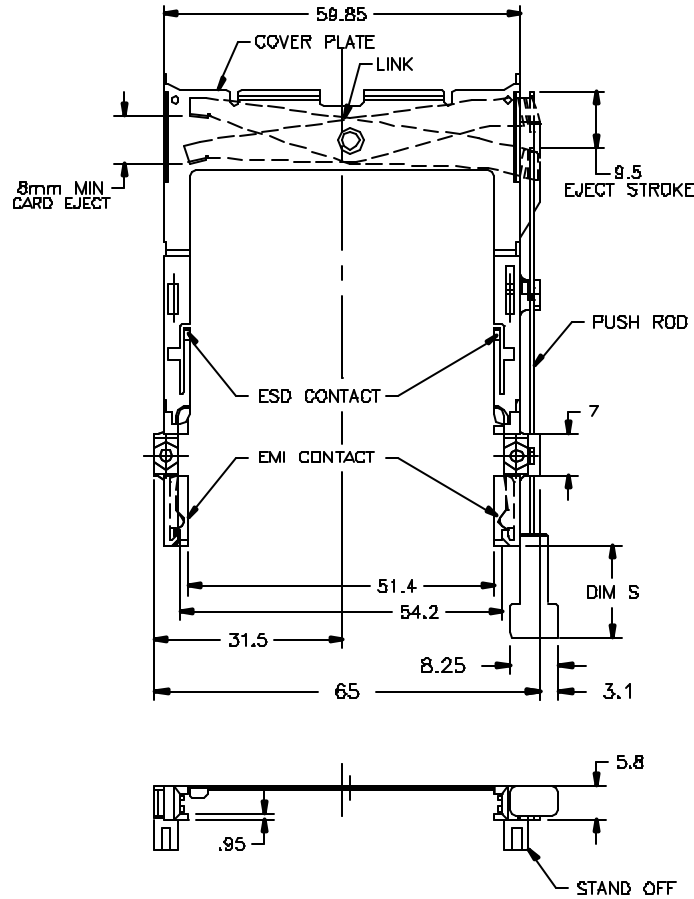
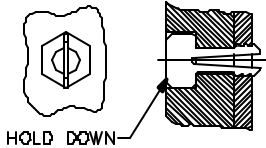


PRODUCT NO. NOTE ①	DIM L	DIM S
72337-0DDCA	0	13
72337-02DCA	2	
72337-022CA	2.2	
72337-04DCA	4	
72337-043CA	4.3	
72337-050CA	5	15.6
72337-0DDDA	0	
72337-02DDA	2	
72337-022DA	2.2	
72337-04DDA	4	
72337-043DA	4.3	21
72337-05DDA	5	
72337-000FA	0	
72337-020FA	2	
72337-022FA	2.2	
72337-04DFA	4	
72337-043FA	4.3	
72337-05DFA	5	



NOTES:

① ADD "H" TO PART NUMBER FOR OPTIONAL HOLD DOWN (2 PER ASSEMBLY).



- LINK TO MOVE ALONG INSIDE WALL OF COVER PLATE SMOOTHLY AFTER ASSEMBLING WITH HEADER.
- MATERIAL:
PLASTIC GUIDES: POLYPHTHARAMIDE UL94V-0
COLOR: BLACK
COVER PLATE: STAINLESS STEEL
EMI CONTACT: PHOSPHOR BRONZE
- FINISH:
EMI CONTACT: CONTACT AREA: 0.5um Au
UNDER PLATING: 2.0um Ni
- RECOMMENDED SCREW TORQUE:
1.0-1.5 MAX IN-LBS(1.2-1.7 CM-KGS)

mat'l. code		tolerances unless otherwise specified		CUSTOMER COPY		FCI Electronics	
ltr	ecn no	dr	date	linear	.X±.3	projection	title
A	V81135	RHG	8/9/98		.XX±.13		NARROW BODY FRONT EJECT MECHANISM ASSEMBLY TYPE 123 product family MCA size/ dwg no 72337
B	T7DD9D	RHG	4/28/97	angles	.XXX±.051		
C	V12231	TFG	8/18/01		0° ±Z		
				dr	R, GRAPE 5/30/98	scale	code
				enr	J.SPICKLER 5/30/98	1:1	sheet
				chr	J.SPICKLER 5/30/98		1 of 2
				appd	J.SPICKLER 5/30/98		
sheet index	revision sheet	C	C				
		1	2				

cage code 22526

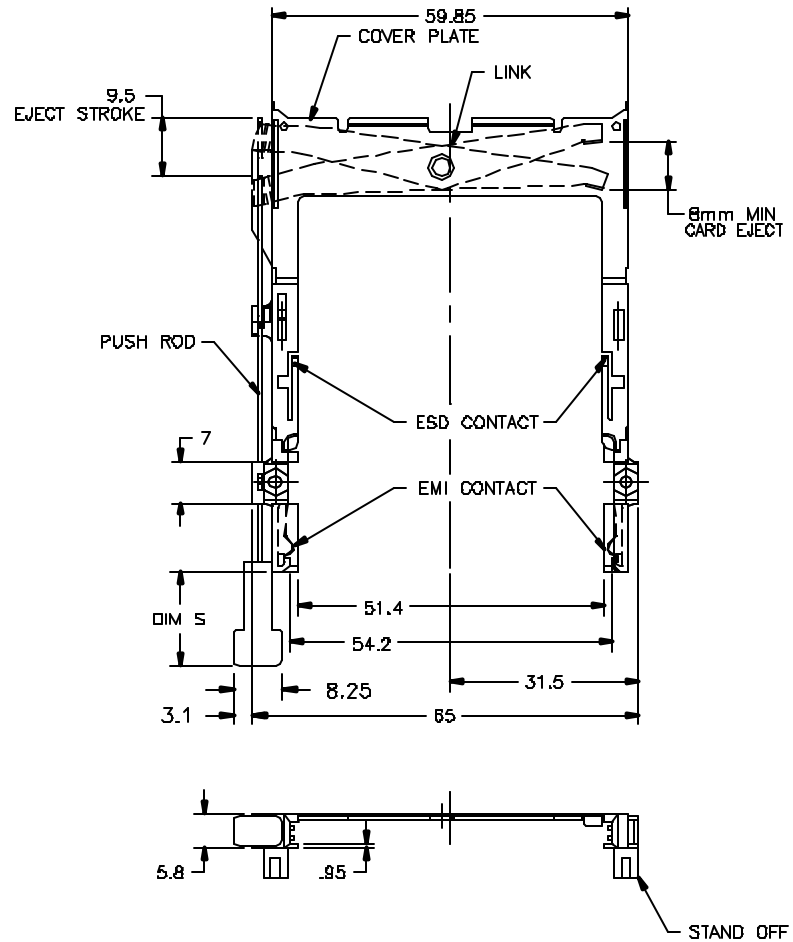
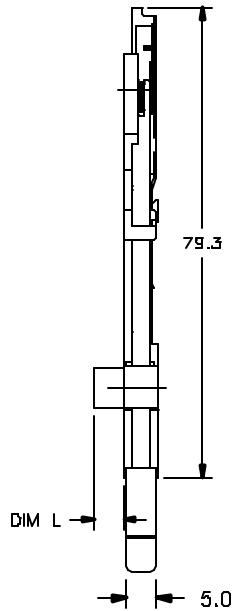
All rights strictly reserved. Reproduction or issue to third parties in any form whatsoever is not permitted without written authority from the proprietor. Property of FCI. Copyright FCI.

Tous droits strictement réservés. Reproduction ou communication à des tiers interdite sous quelque forme que ce soit sans autorisation écrite du propriétaire. Propriété de FCI. Droits de reproduction FCI.

Tous droits strictement réservés. Reproduction ou communication à des tiers interdite sans aucune forme que ce soit sans autorisation écrite du propriétaire. Propriété de © FCI. Droits de reproduction FCI.

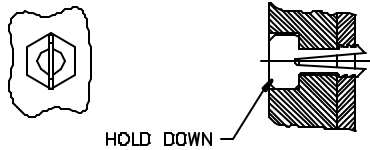
All rights strictly reserved. Reproduction or issue to third parties in any form whatever is not permitted without written authority from the proprietor. Property of FCI. Copyright FCI.

PRODUCT NO. NOTE ①	DIM L	DIM S
72337-10DCA	0	13
72337-12DCA	2	
72337-122CA	2.2	
72337-14DCA	4	
72337-143CA	4.3	
72337-150CA	5	
72337-10DDA	0	15.8
72337-12DDA	2	
72337-122DA	2.2	
72337-14DDA	4	
72337-143DA	4.3	
72337-15DDA	5	
72337-10DFA	0	21
72337-12DFA	2	
72337-122FA	2.2	
72337-14DFA	4	
72337-143FA	4.3	
72337-15DFA	5	



NOTES:

① ADD "H" TO PART NUMBER FOR OPTIONAL HOLD DOWN (2 PER ASSEMBLY).



- LINK TO MOVE ALONG INSIDE WALL OF COVER PLATE SMOOTHLY AFTER ASSEMBLING WITH HEADER.
- MATERIAL:**
 PLASTIC GLIDES: POLYPHTHARAMIDE UL94V-0
 COLOR: BLACK
 COVER PLATE: STAINLESS STEEL
 EMI CONTACT: PHOSPHOR BRONZE
- FINISH:**
 EMI CONTACT: CONTACT AREA: 0.5um Au
 UNDER PLATING: 2.0um Ni
- RECOMMENDED SCREW TORQUE:**
 1.0-1.5 MAX IN-LBS(1.2-1.7 CM-KGS)

mat'l. code		tolerances unless otherwise specified		CUSTOMER COPY		FCI Electronics		
ltr	ecn no	dr	date	linear	.X±.3	projection	title	
C					.XX±.13		NARROW BODY FRONT EJECT MECHANISM ASSEMBLY TYPE 123	
				angles	.XXX±.051			product family
				dr	0° ±Z	scale	code	
				enr	R.GRAPE 5/30/98		size	
				chr	J.SPICKLER 5/30/98		dwg no	72337
				appd	J.SPICKLER 5/30/98		sheet	2 of
sheet index	revision sheet							

cage code 22526