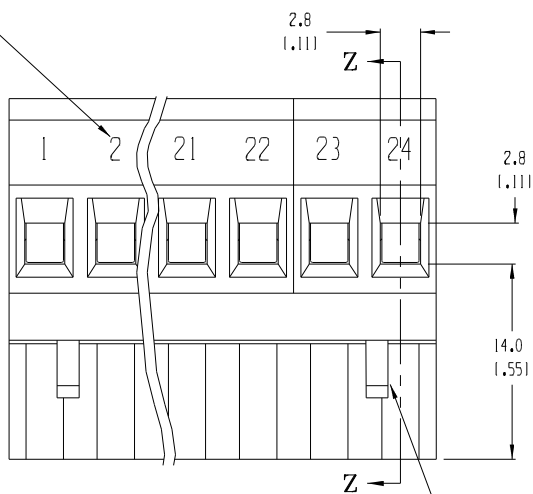
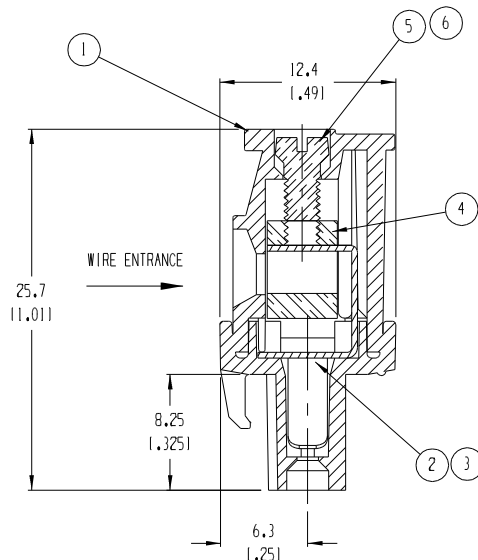


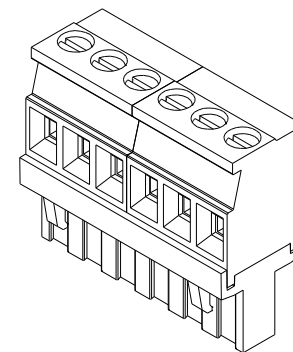
REFER TO SD-38120-004 FOR IMPRINTING OPTIONS 10AV AND 11AV



2-CIRCUIT, ONE LATCH DETAIL POSITIONED ON THIS END



SECT "Z-Z"



SCALE 2:1

NOTES:

1. MATERIAL: SEE TABLE
2. FINISHES: SEE TABLE
3. PRODUCT SPECIFICATION: NOT REQUIRED
4. PACKAGING: NOT REQUIRED
5. MATES WITH: B6 SERIES HEADER
6. INCH DIMS ARE SHOWN IN BRACKETS (XXXX)
7. "XX" REFERS TO THE NUMBER OF CIRCUITS
8. REFER TO SD-38120-004 FOR IMPRINTING OPTIONS (10AV AND 11AV)

ITEM	QTY.	DESCRIPTION	MATERIAL	FINISH
6		"XX" SCREW, M3 X 0.5, BRONZE (-49, -G30 OPTION)	PHOS. BRONZE	TIN
5		"XX" SCREW, M3 X 0.5, SLOTTED	STEEL	ZN, CLEAR CHROMATE
4		"XX" CAGE	BRASS	NICKEL
3		"XX" TERMINAL (-G30 OPTION)	PHOS. BRONZE	GOLD
2		"XX" TERMINAL	PHOS. BRONZE	TIN
1		I INSULATOR	POLYAMIDE	SEE CHART ON SHEET 2

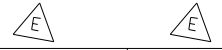
EC NO. ECN# 3997	QUALITY SYMBOLS
DRW: CY 01-26-05	MAJOR
CHK:	CRITICAL
APPR:	C
	SPC
	S
REV	DESCRIPTION
E	

GENERAL TOLERANCES: (UNLESS SPECIFIED)	
4 PLACES	±.0015
3 PLACES	±.038 ±.005
2 PLACES	±.13 ±.01
1 PLACE	±.3
ANGULAR: ±2°	
DRAFT WHERE APPLICABLE MUST REMAIN WITHIN DIMENSIONS	

SCALE 3:1	DESIGN UNITS <input type="checkbox"/> mm <input checked="" type="checkbox"/> INCH
DRAWN BY & DATE R. KEMP 1-23-03	
CHECKED BY & DATE R. STONE 1-23-03	
APPROVED BY & DATE P. WALTZ 1-24-03	
CAD FILENAME 8609XX	THIRD ANGLE PROJECTION

PROJECT NO. -	-	-
DIMENSIONS: <input checked="" type="checkbox"/> mm <input type="checkbox"/> INCH <input type="checkbox"/> mm ONLY	SHT	REV
TITLE: VERTICAL PLUGGABLE SR BTS FWE ASSY (5.08 (1.200) CENTERS)		
MOLEX INCORPORATED		
MATERIAL NO. SEE SHEET 2	DRAWING NO. SD-39860-004	SHEET NO. 1 OF 2
THIS DRAWING CONTAINS INFORMATION THAT IS PROPRIETARY TO MOLEX INCORPORATED AND SHOULD NOT BE USED WITHOUT WRITTEN PERMISSION.		SIZE B

NUMBER OF CIRCUITS "XX"	DIM. "A"	DIM. "B"	MATERIAL NO. (STANDARD) BLACK INSULATOR	MATERIAL NO. (-G30 OPTION) BLACK INSULATOR	MATERIAL NO. (-49 OPTION) BLACK INSULATOR	MATERIAL NO. (-10AV OPTION) BLACK INSULATOR	MATERIAL NO. (-11AV OPTION) GREEN INSULATOR	MATERIAL NO. (-GRN OPTION) GREEN INSULATOR	MATERIAL NO. (-GRN-10AV OPTION) GREEN INSULATOR
02	10.2 [1.40]	5.08 [1.200]	398600302	398610302	398640302	398620302	398630302	398603302	
03	15.2 [1.60]	10.16 [1.400]	398600303	398610303	398640303	398620303	398630303	398603303	
04	20.3 [1.80]	15.24 [1.600]	398600304	398610304	398640304	398620304	398630304	398603304	
05	25.4 [1.00]	20.32 [1.800]	398600305	398610305	398640305	398620305	398630305	398603305	
06	30.5 [1.20]	25.40 [1.000]	398600306	398610306	398640306	398620306	398630306	398603306	
07	35.6 [1.40]	30.48 [1.200]	398600307	398610307	398640307	398620307	398630307	398603307	
08	40.6 [1.60]	35.56 [1.400]	398600308	398610308	398640308	398620308	398630308	398603308	398690215
09	45.7 [1.80]	40.64 [1.600]	398600309	398610309	398640309	398620309	398630309	398603309	
10	50.8 [2.00]	45.72 [1.800]	398600310	398610310	398640310	398620310	398630310	398603310	
11	55.9 [2.20]	50.80 [2.000]	398600311	398610311	398640311	398620311	398630311	398603311	
12	61.0 [2.40]	55.88 [2.200]	398600312	398610312	398640312	398620312	398630312	398603312	
13	66.0 [2.60]	60.96 [2.400]	398600313	398610313	398640313	398620313	398630313	398603313	
14	71.1 [2.80]	66.04 [2.600]	398600314	398610314	398640314	398620314	398630314	398603314	
15	76.2 [3.00]	71.12 [2.800]	398600315	398610315	398640315	398620315	398630315	398603315	
16	81.3 [3.20]	76.20 [3.000]	398600316	398610316	398640316	398620316	398630316	398603316	
17	86.4 [3.40]	81.28 [3.200]	398600317	398610317	398640317	398620317	398630317	398603317	
18	91.4 [3.60]	86.36 [3.400]	398600318	398610318	398640318	398620318	398630318	398603318	
19	96.5 [3.80]	91.74 [3.600]	398600319	398610319	398640319	398620319	398630319	398603319	
20	101.6 [4.00]	96.82 [3.800]	398600320	398610320	398640320	398620320	398630320	398603320	
21	106.7 [4.20]	101.90 [4.000]	398600321	398610321	398640321	398620321	398630321	398603321	
22	111.8 [4.40]	106.68 [4.200]	398600322	398610322	398640322	398620322	398630322	398603322	
23	116.8 [4.60]	111.76 [4.400]	398600323	398610323	398640323	398620323	398630323	398603323	
24	121.9 [4.80]	116.84 [4.600]	398600324	398610324	398640324	398620324	398630324	398603324	



EC NO. SEE SHEET 1 DRAWN: CH'K: APPR: REV:	DESCRIPTION MAJOR CRITICAL SPC	QUALITY SYMBOLS	GENERAL TOLERANCES: (UNLESS SPECIFIED)	SCALE	DESIGN UNITS	THIRD ANGLE PROJECTION	PROJECT NO.:	SHT	REV		
		4 PLACES ±.0015 3 PLACES ±.038 ±.005 2 PLACES ±.13 ±.01 1 PLACE ±.3	mm INCH ±.0015 ±.038 ±.005 ±.13 ±.01 ±.3	DRAWN BY & DATE R. KEMP 1-23-03 CHECKED BY & DATE R. STONE 1-23-03 APPROVED BY & DATE P. WALTZ 1-24-03	mm INCH INCH mm ONLY	TITLE: VERTICAL PLUGGABLE SR BTS FWE ASSY (5.08 [1.200] CENTERS)	MOLEX INCORPORATED	MATERIAL NO. SEE CHART	DRAWING NO. SD-39860-004	SHEET NO. 2 OF 2	SIZE B
		ANGULAR: ±2°	CAD FILENAME: 8609XX	THIS DRAWING CONTAINS INFORMATION THAT IS PROPRIETARY TO MOLEX INCORPORATED AND SHOULD NOT BE USED WITHOUT WRITTEN PERMISSION.							
		DRAFT WHERE APPLICABLE MUST REMAIN WITHIN DIMENSIONS									