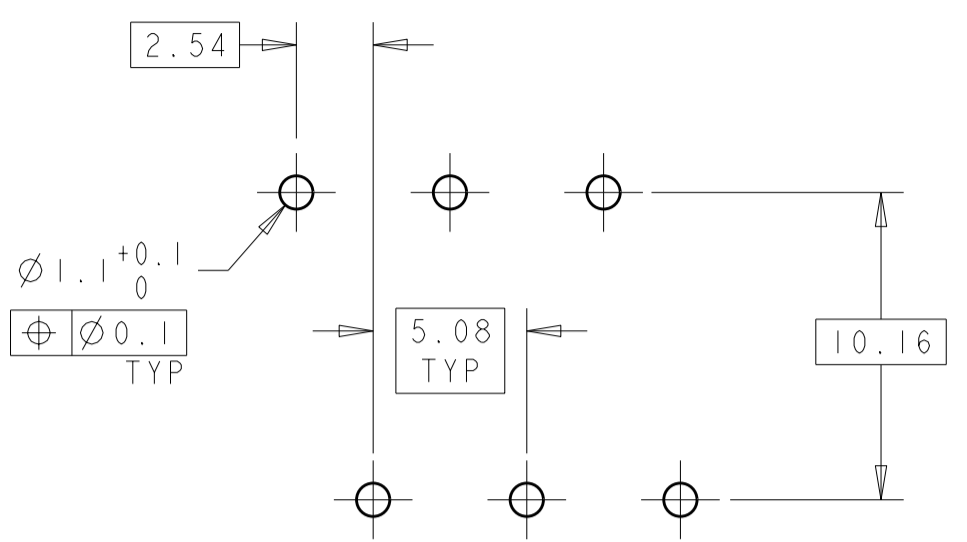
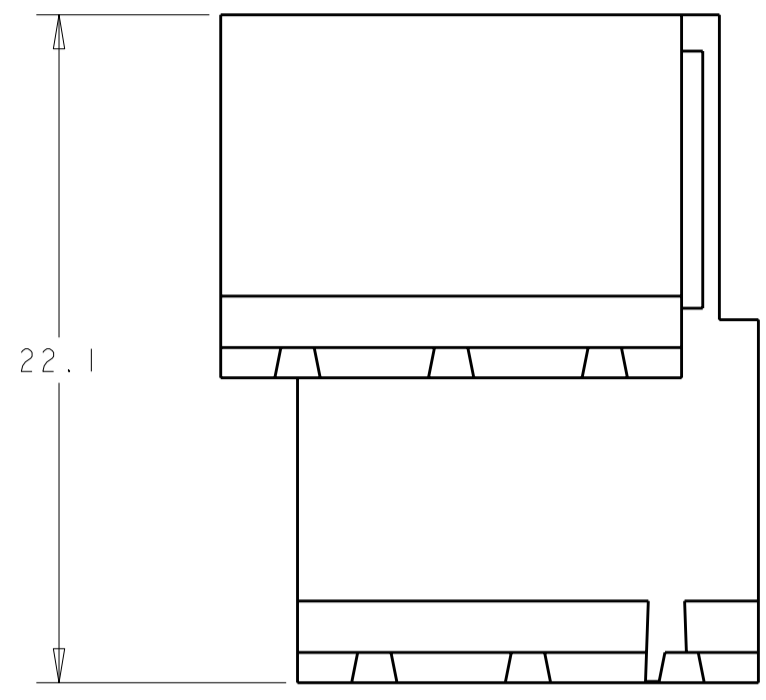
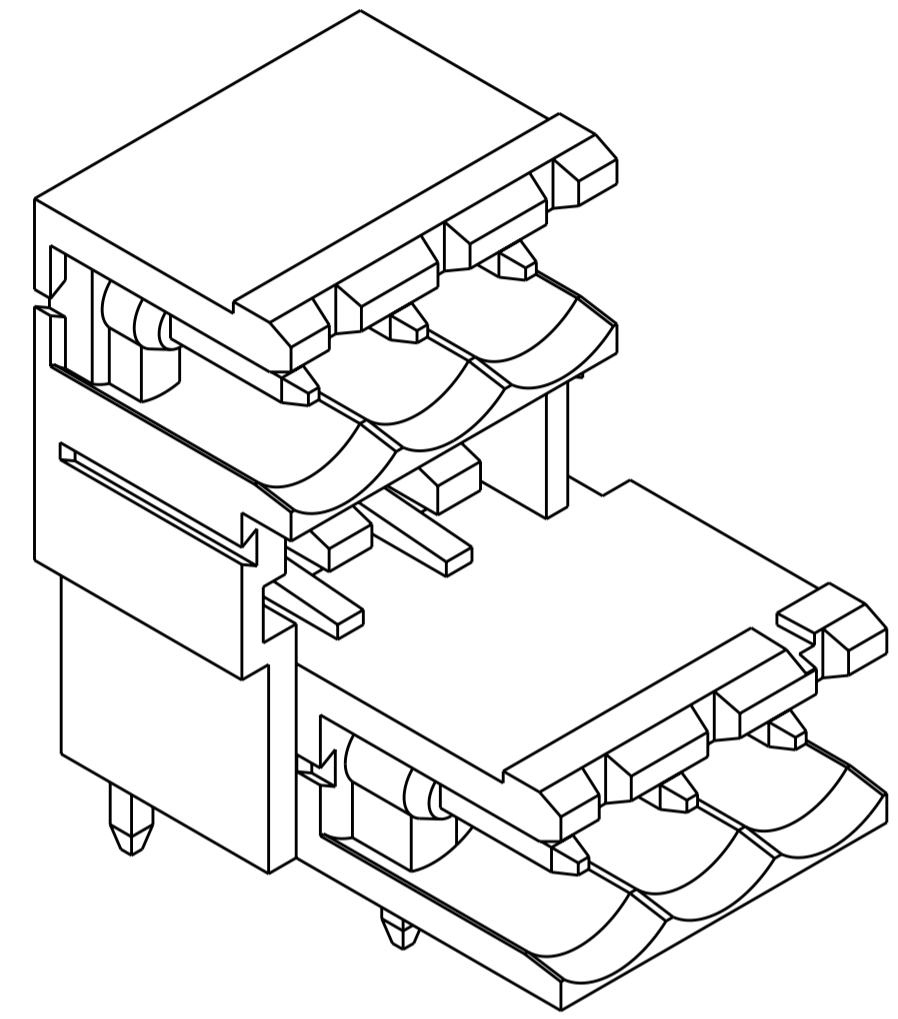


THIS DRAWING IS UNPUBLISHED. RELEASED FOR PUBLICATION 20
 © COPYRIGHT 20 BY - ALL RIGHTS RESERVED.

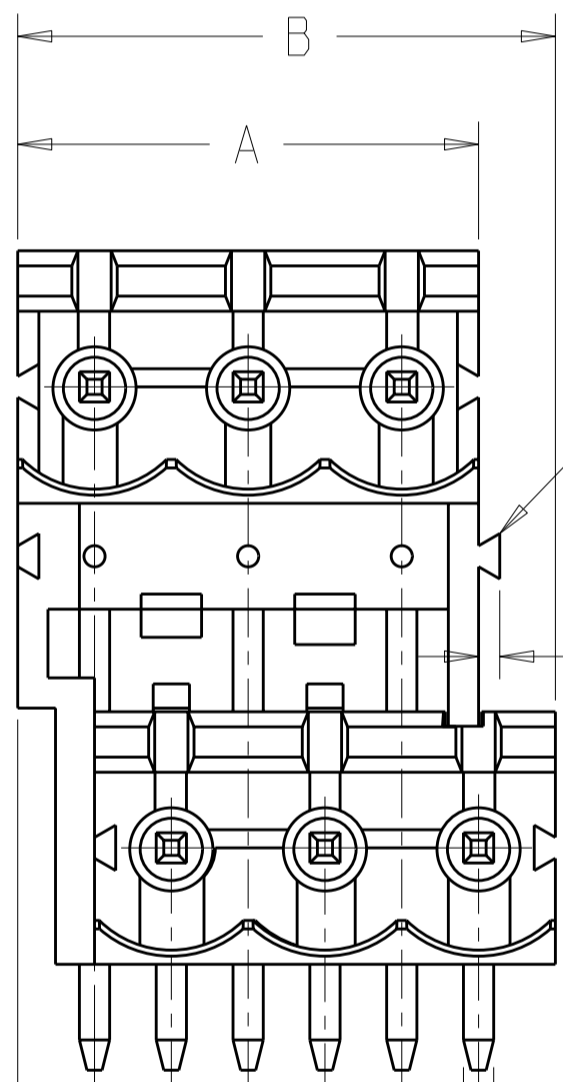
| LOC | DIST | REVISIONS | | | |
|-----|------|---------------------------|-----------|-----|------|
| P | LTR | DESCRIPTION | DATE | DWN | APVD |
| FT | 0 | | | | |
| | F2 | REVISED PER ECO-12-007714 | 25APR2012 | KH | MS |



RECOMMENDED PC BOARD LAYOUT

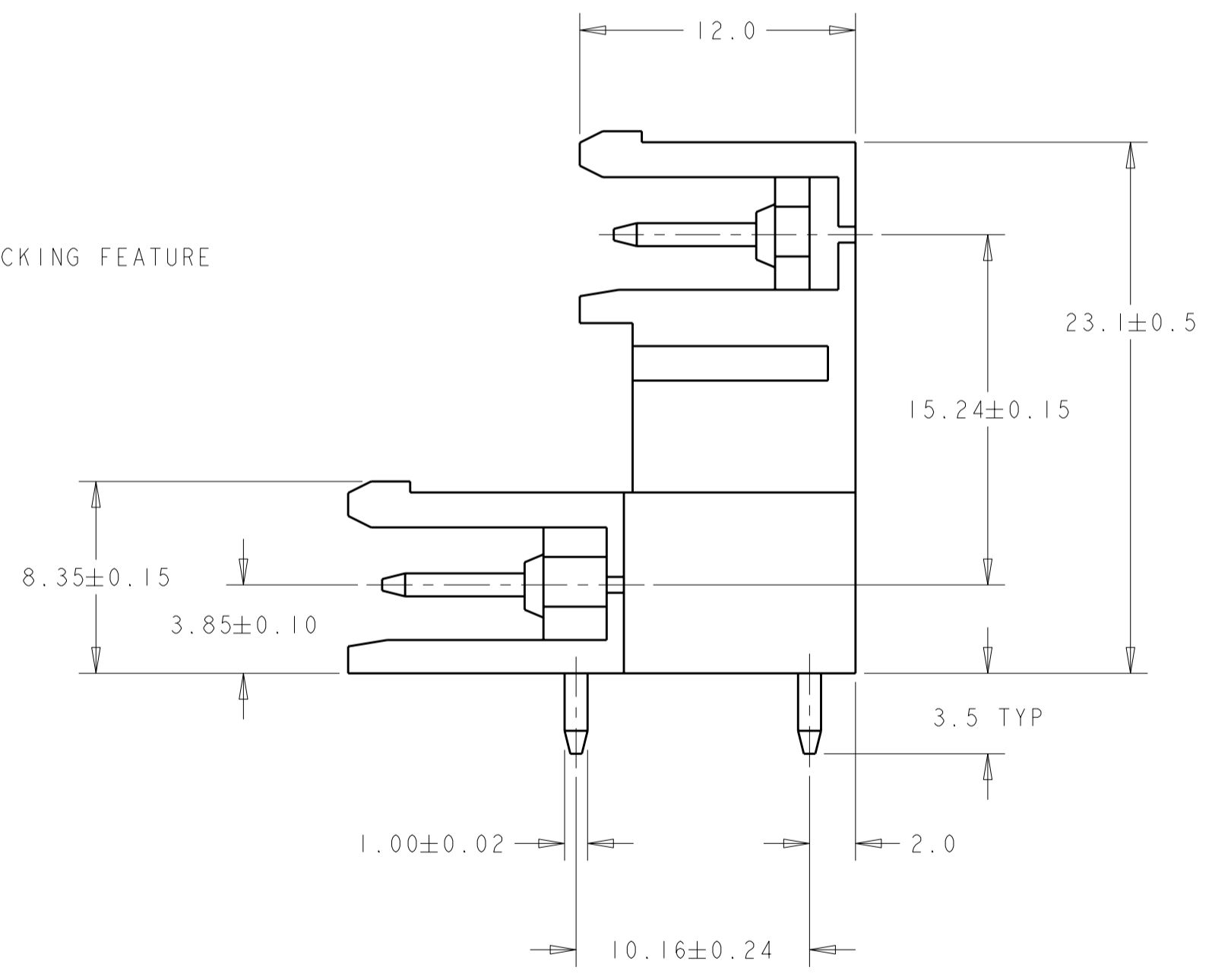


284053-3 AS SHOWN



INTERLOCKING FEATURE

0.7±0.1



2.54 REF

2.54±0.13 TYP

1.00±0.02 TYP

5.08±0.13 TYP

- 1 MATERIALS AND FINISH
 HOUSING: PA 6-6, UL 94-V0, COLOR GREEN.
 TERMINAL: COPPER ALLOY, TIN PLATED.
- 2. SUITABLE FOR 1,6-2,4mm PC BOARD THICKNESS.
- 3. END-TO-END STACKABLE WITHOUT LOSS OF CENTERLINE SPACING.
- 4 INK MARKED WITH BLACK PERMANENT INK.
- 5 THIS PART NUMBER IS PRELIMINARY PRIOR TO CUSTOMER ORDER.
 CONTACT PRODUCT ENGINEERING BEFORE USING THIS PART.

| | | | | | |
|--------------|-------|-------|------------|-------------|---|
| SEE DETAIL G | 71.12 | 60.96 | 12 | 2-284053-2 | 5 |
| SEE DETAIL F | 71.12 | 60.96 | 12 | 2-284053-1 | 5 |
| SEE DETAIL E | 71.12 | 60.96 | 12 | 2-284053-0 | 5 |
| SEE DETAIL D | 71.12 | 60.96 | 12 | 1-284053-9 | 5 |
| SEE DETAIL C | 71.12 | 60.96 | 12 | 1-284053-8 | 5 |
| - | 73.66 | 71.12 | 14 | 1-284053-4 | |
| - | 58.42 | 55.88 | 11 | 1-284053-1 | |
| - | 43.18 | 40.64 | 8 | 284053-8 | 5 |
| - | 33.02 | 30.48 | 6 | 284053-6 | |
| - | 27.94 | 25.40 | 5 | 284053-5 | |
| - | 17.78 | 15.24 | 3 | 284053-3 | |
| - | 12.70 | 10.16 | 2 | 284053-2 | |
| MARKING | B | A | NO OF POSN | PART NUMBER | |

THIS DRAWING IS A CONTROLLED DOCUMENT.

DWN: S. WELDON 03JUN2003
 CHK: C. RICHARD 03JUN2003
 APVD: C. RICHARD 03JUN2003

TE Connectivity

NAME: TERMINAL BLOCK, MULTIPLE HEADER ASSEMBLY, 90 DEGREE STACKING W/INTERLOCK, 5.08mm PITCH

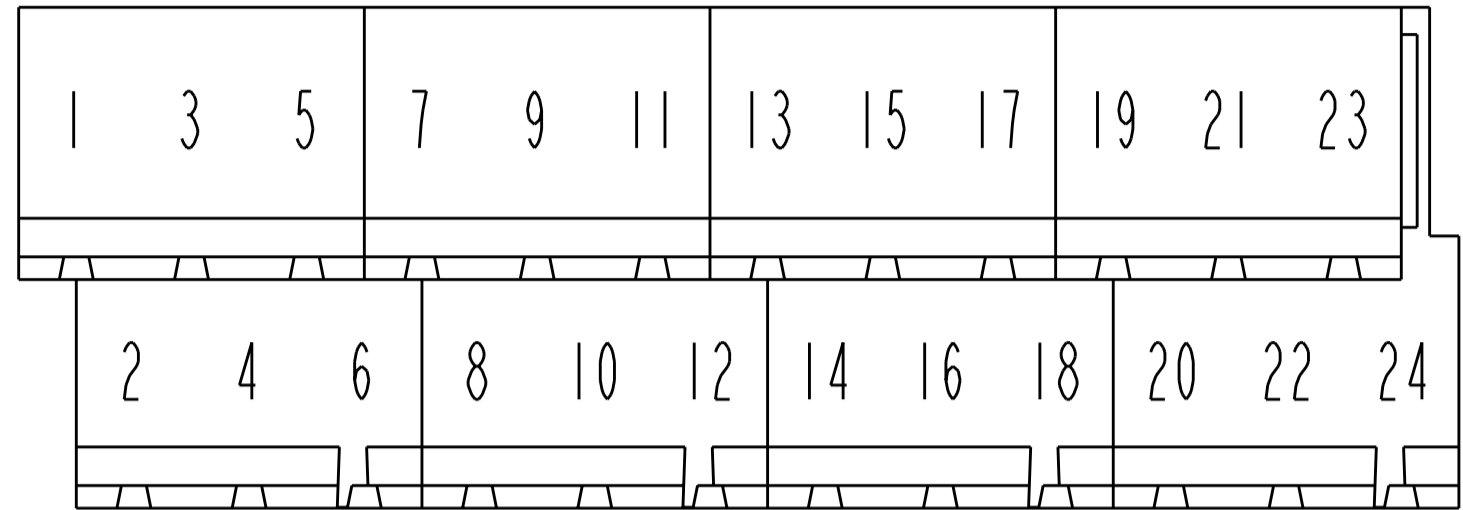
SIZE: A2 CAGE CODE: 00779 DRAWING NO: C-284053

RESTRICTED TO: -

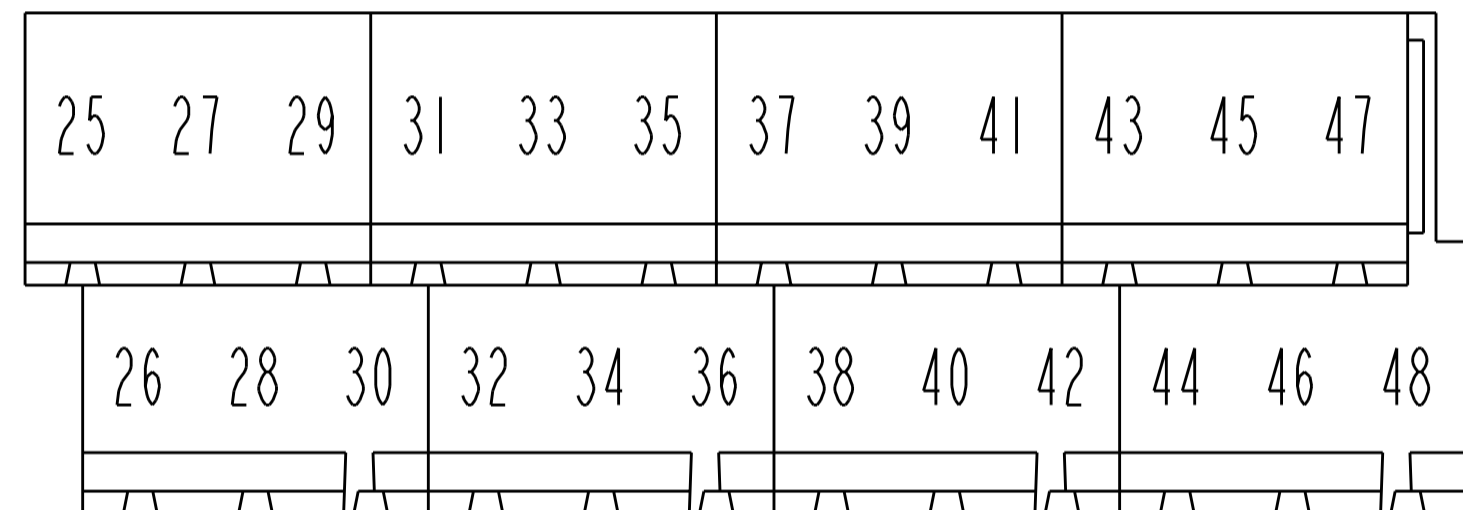
CUSTOMER DRAWING SCALE: 4:1 SHEET 1 OF 2 REV: F2

THIS DRAWING IS UNPUBLISHED. RELEASED FOR PUBLICATION 20
 © COPYRIGHT 20 BY - ALL RIGHTS RESERVED.

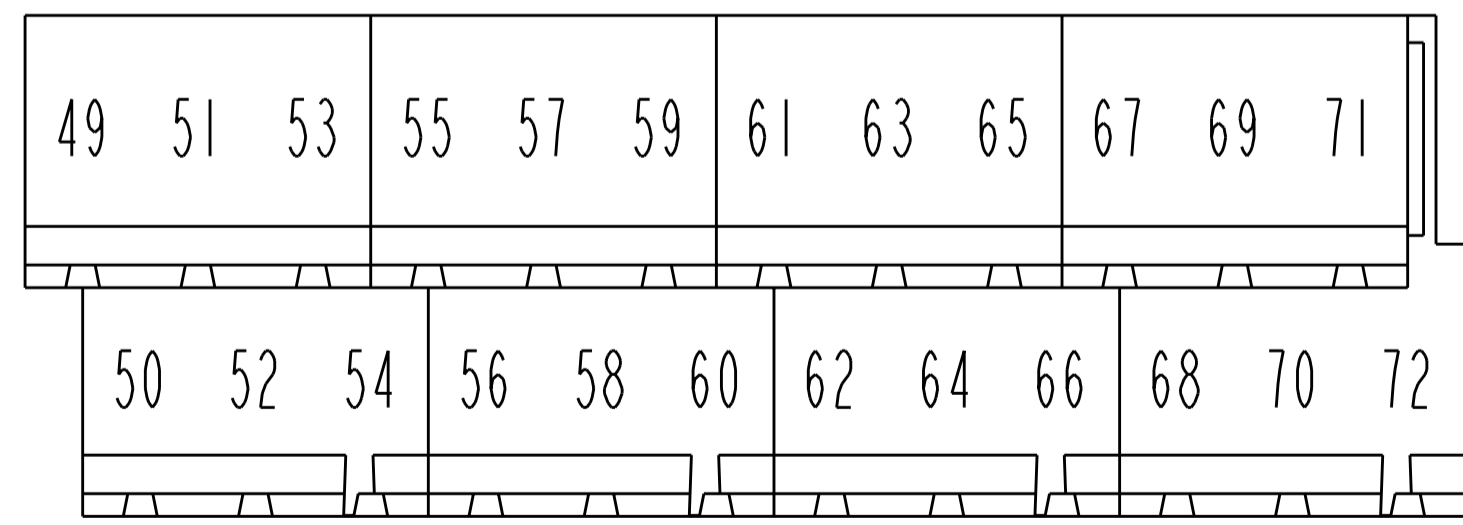
| LOC | DIST | REVISIONS | | | |
|-----|------|-------------|-------------|-----|------|
| P | LTR | DESCRIPTION | DATE | DWN | APVD |
| FT | 0 | - | SEE SHEET 1 | - | - |
| | | | | | |
| | | | | | |



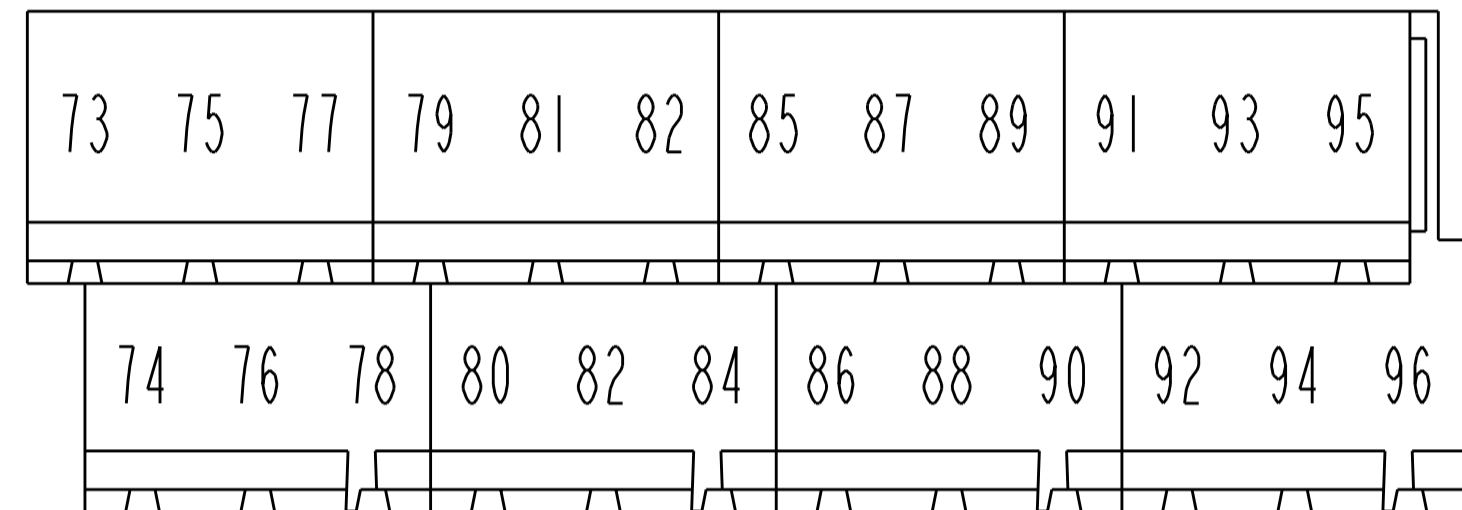
5
 DETAIL C
 SCALE 3:1



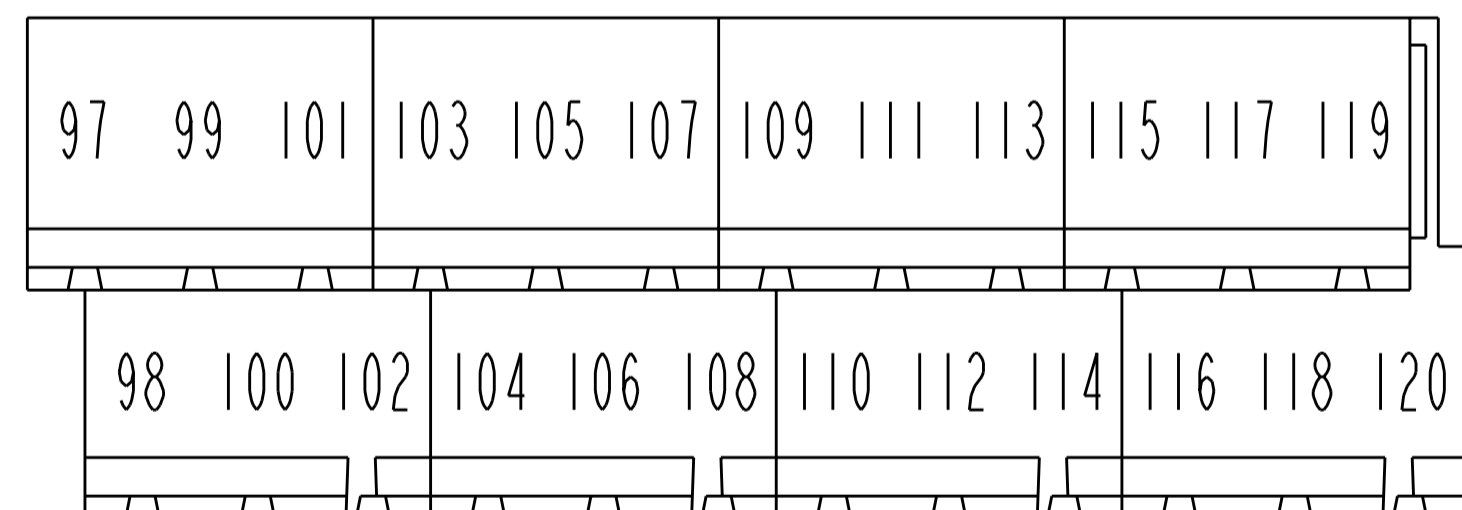
5
 DETAIL D
 SCALE 3:1



5
 DETAIL E
 SCALE 3:1



5
 DETAIL F
 SCALE 3:1



5
 DETAIL G
 SCALE 3:1

| | | | | |
|---|--|---------------------------------|--|------------------------|
| THIS DRAWING IS A CONTROLLED DOCUMENT. | | DWN S. WELDON 03JUN2003 | TE Connectivity | |
| DIMENSIONS: mm | | CHK C. RICHARD 03JUN2003 | | |
| TOLERANCES UNLESS OTHERWISE SPECIFIED: | | APVD C. RICHARD 03JUN2003 | NAME TERMINAL BLOCK, MULTIPLE HEADER ASSEMBLY, 90 DEGREE STACKING W/INTERLOCK, 5.08mm PITCH | |
| 0 PLC ±3 1 PLC ±3 2 PLC ±.25 3 PLC ±. 4 PLC ±. ANGLES ±2 FINISH | | PRODUCT SPEC - | SIZE A200779 | DRAWING NO C-284053 |
| MATERIAL - | | APPLICATION SPEC - | RESTRICTED TO - | SCALE 4:1 |
| | | WEIGHT - | SHEET 2 OF 2 | |
| | | CUSTOMER DRAWING | REV F2 | |