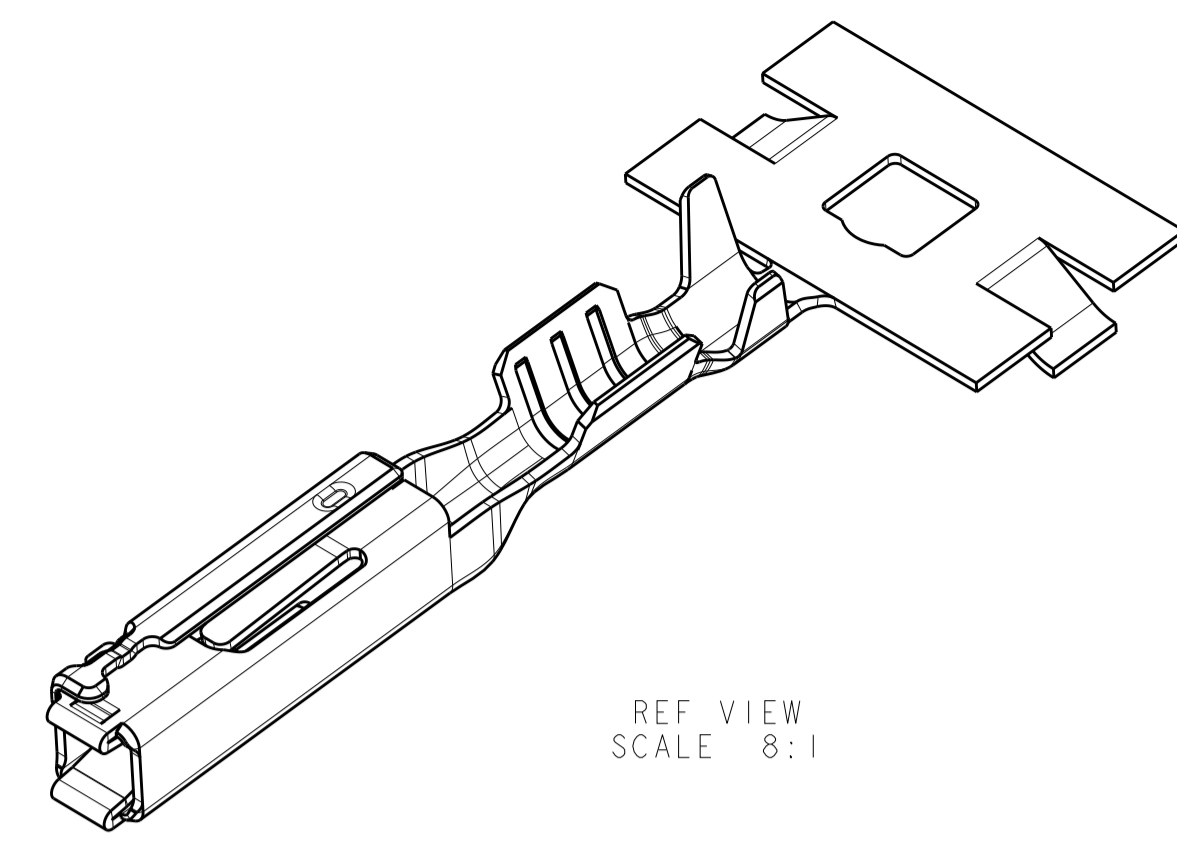
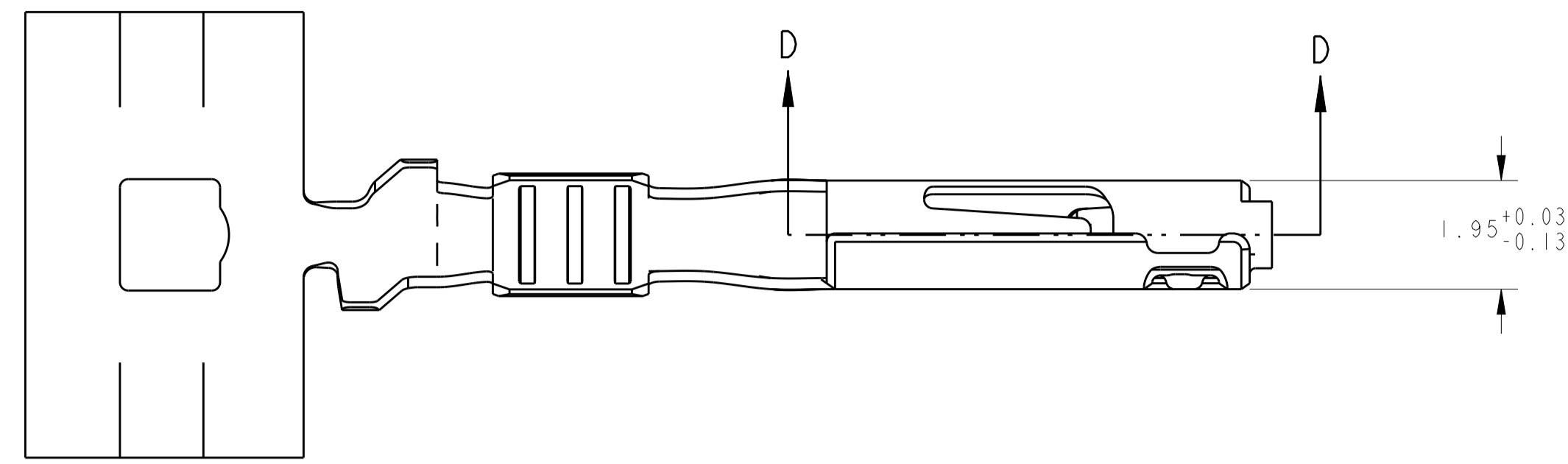
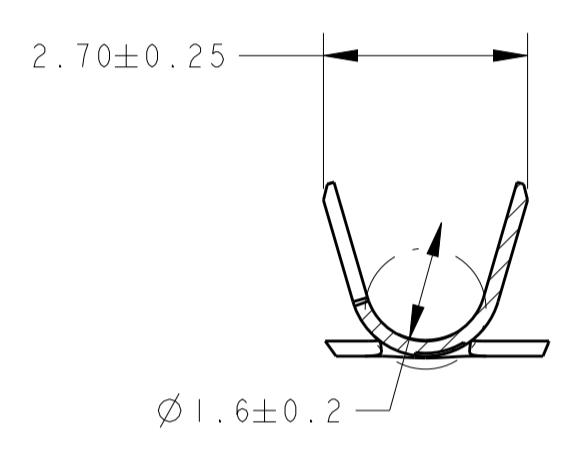
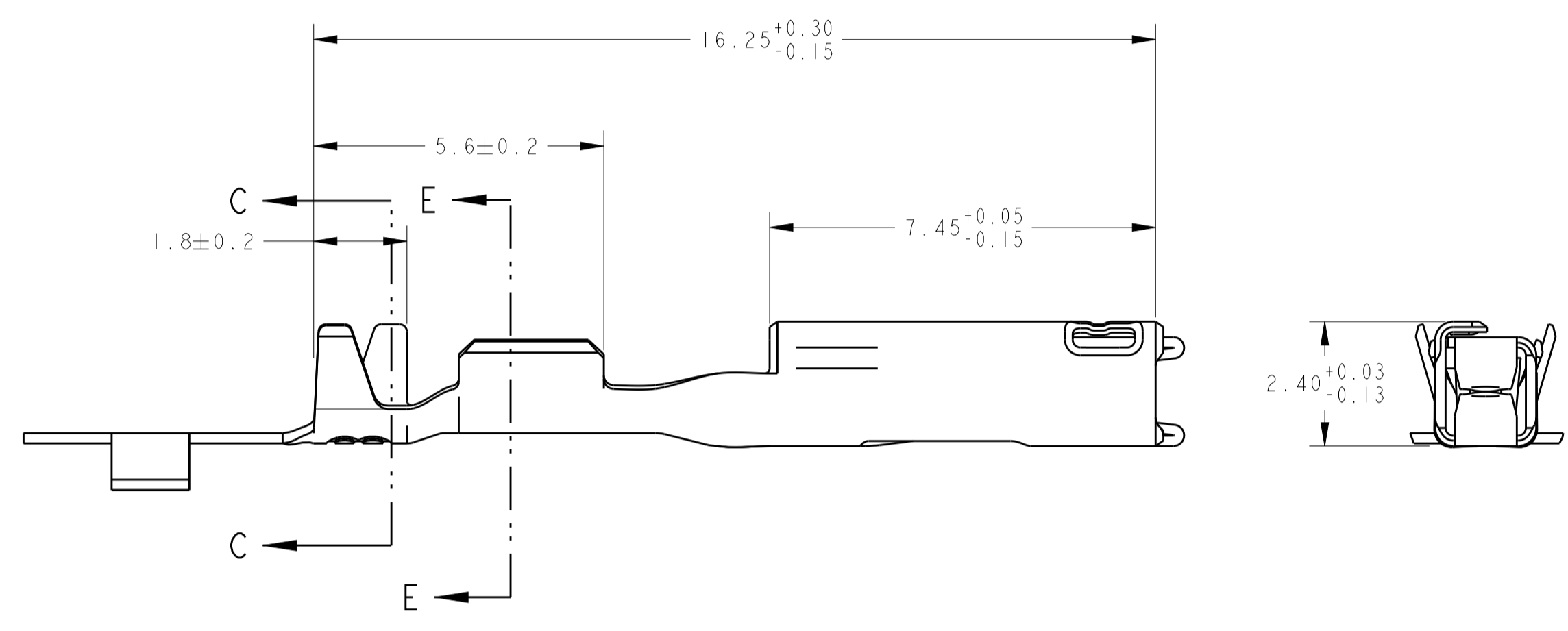


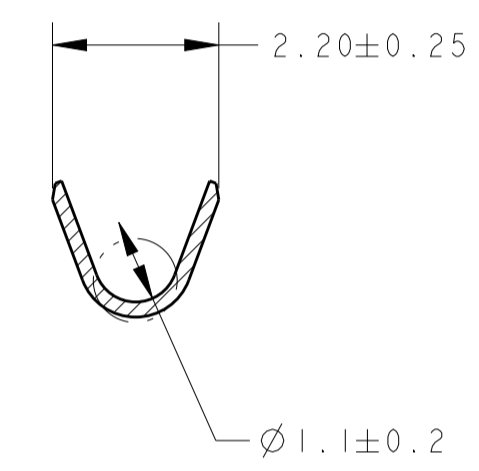
REVISIONS				
P.	LTN	DESCRIPTION	DATE	APVD
B		REVISED PER ECO-15-007763	24AUG2015	DLD WTW
C		REVISED PER ECO-16-007495	17MAY2016	DLD WTW



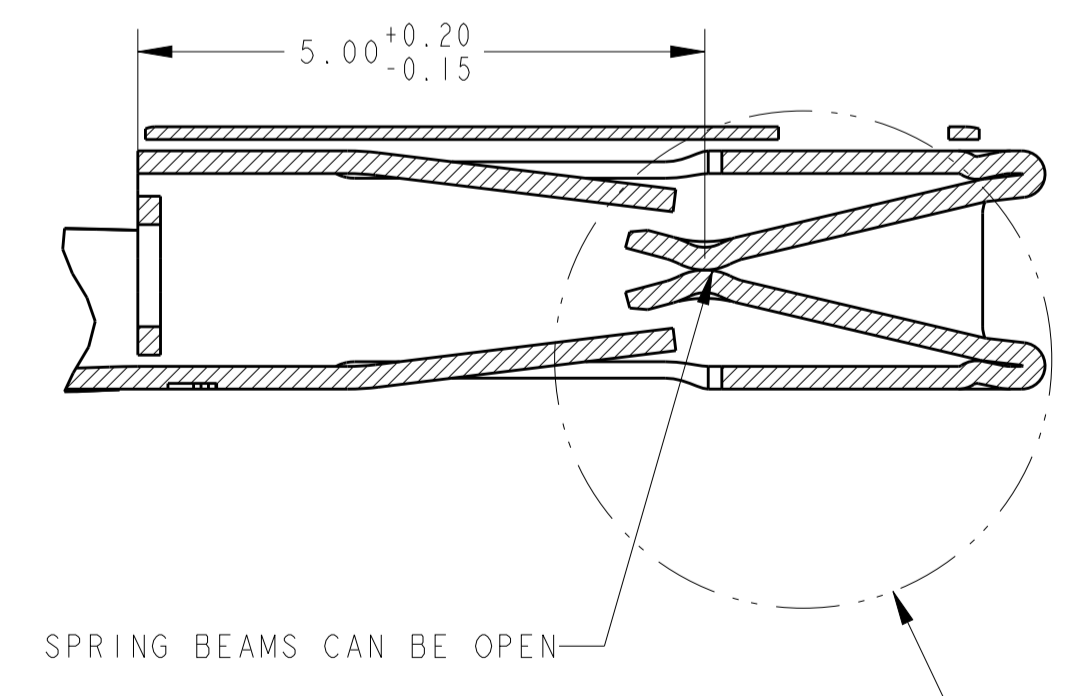
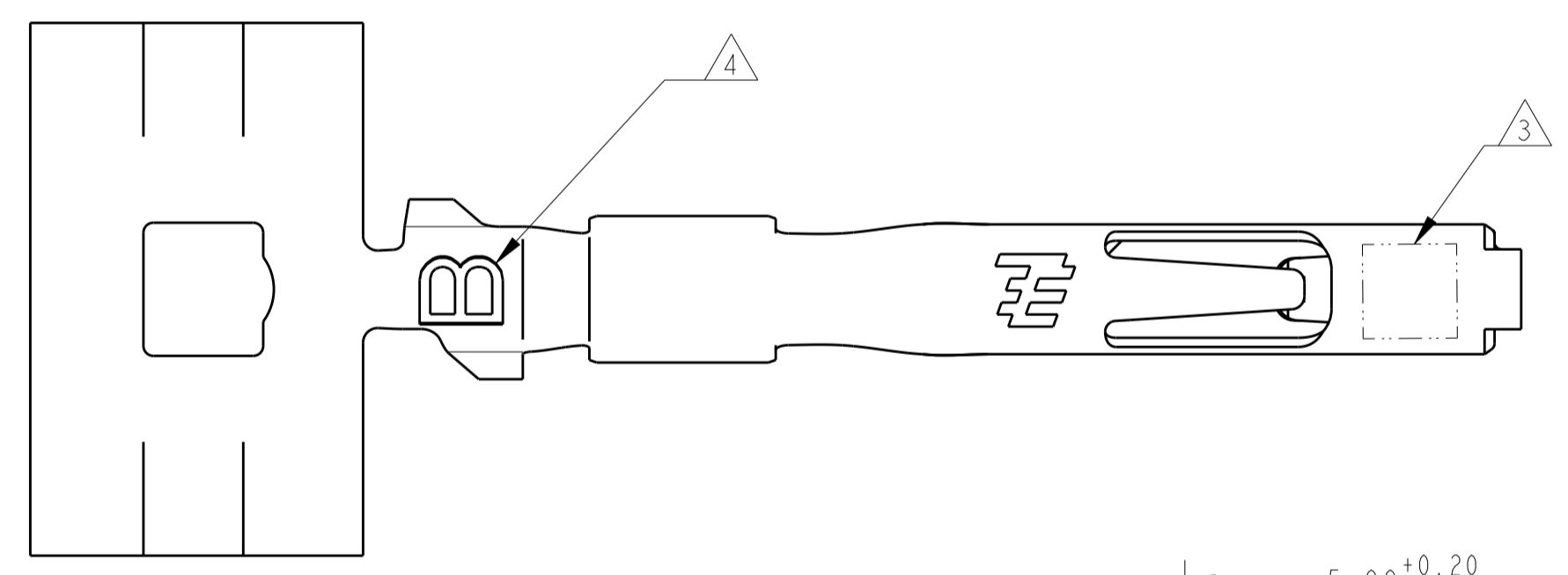
- 1 MATERIAL: COPPER ALLOY
- 2 FINISH: PRE-PLATED WITH 1.00µm MIN SPECIAL TIN-SILVER PLATE (APPLIES TO CONTACT ALL OVER)
- 3 SYMBOL "T" INDICATES SPECIAL TIN-SILVER PLATE. SYMBOL "S" INDICATES SILVER PLATE.
- 4 MARK CRIMP CODE "B"
- 5. DIE FEED IS 8.00mm
- 6 OPTIMOL (UNDILUTED) LUBRICATION IN THIS AREA
- 7 FINISH: PRE-PLATED SILVER, 3 - 5µm SILVER PLATE (CONTACT AREA ONLY), SILVER FLASH REMAINDER OF PART.
- 8. FOR SILVER PLATING ON P/N 1924879-2, TARNISH IS ACCEPTABLE. ELECTRICAL PERFORMANCE IS NOT AFFECTED BY TARNISH ON ANY OF THE SILVER PLATED SURFACES OF THE TERMINAL.



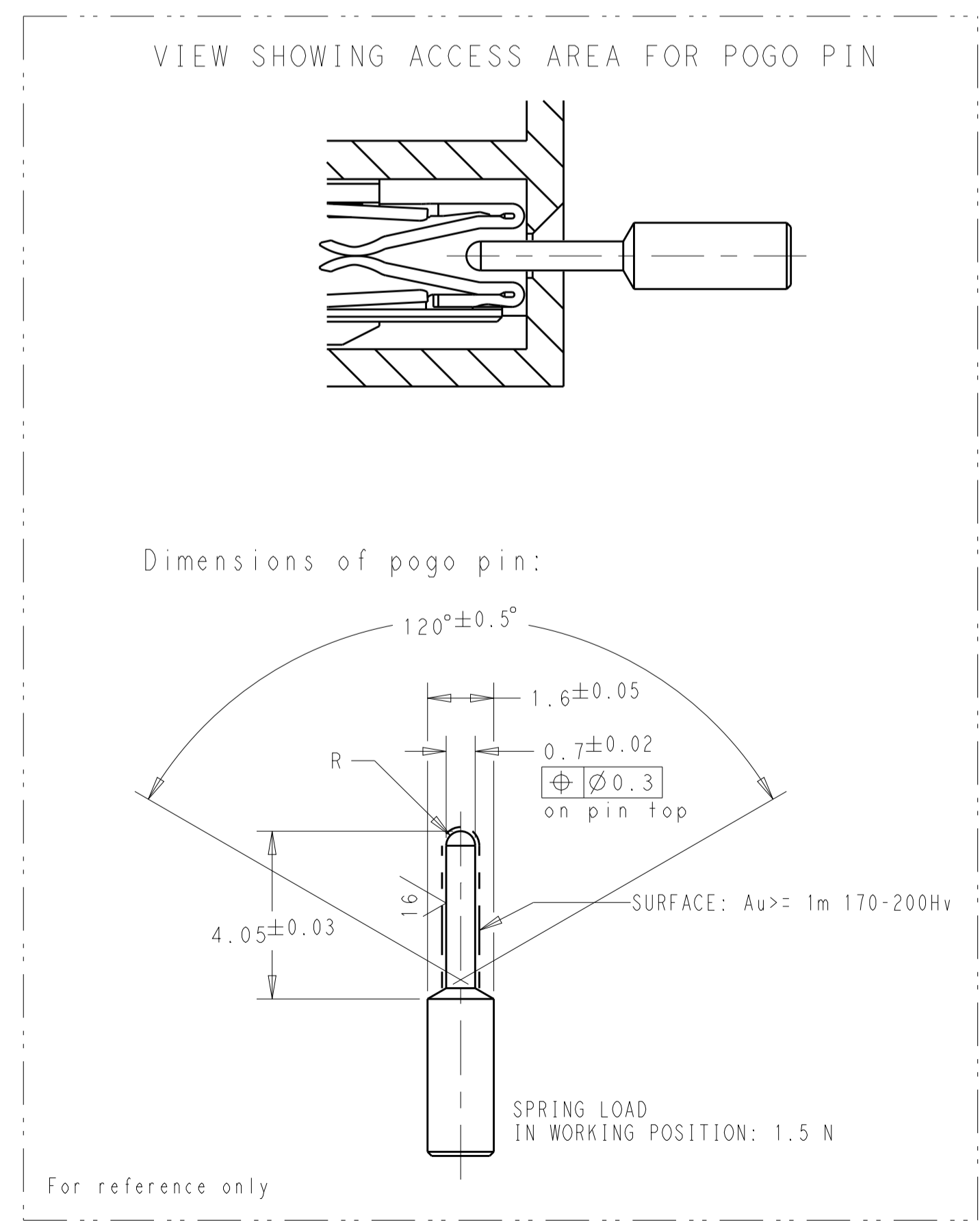
SECTION C-C



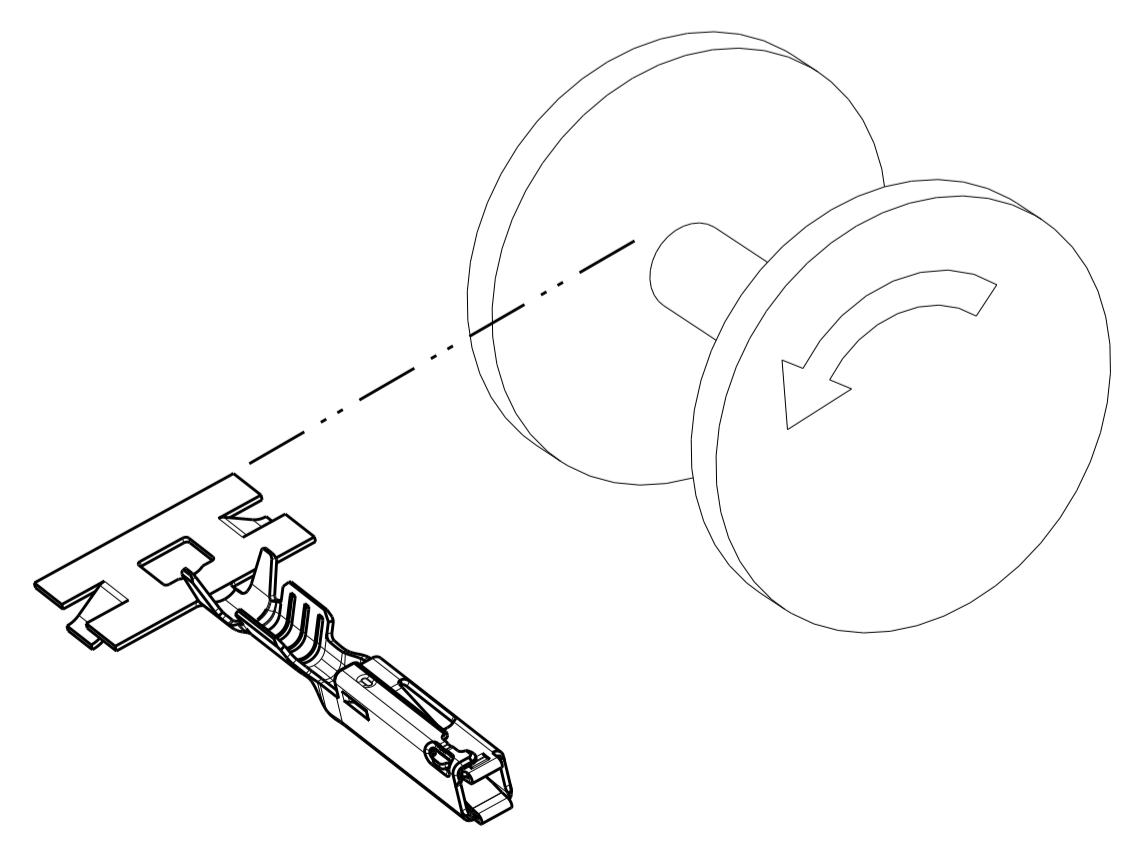
SECTION E-E



SECTION D-D
SCALE 15:1



For reference only



1924879-2
1924879-1
FINISH
PART NUMBER

THIS DRAWING IS A CONTROLLED DOCUMENT.		OWN: F. KINSEY 27APR2009	NAME: GET FEMALE TERMINAL, 1.20mm, THIN 18/20 AWG	
DIMENSIONS: mm		CHK: F. KINSEY 27APR2009	RESTRICTED TO	
TOLERANCES UNLESS OTHERWISE SPECIFIED:		APVD: W. WELLSKY 27APR2009	SCALE: 10:1 SHEET 1 OF 1 REV C	
0 PLC	±	PRODUCT SPEC		
1 PLC	±0.15	APPLICATION SPEC		
2 PLC	±	114-13236		
3 PLC	±	WEIGHT: 0.17g		
4 PLC	±	CUSTOMER DRAWING		
ANGLES	±			