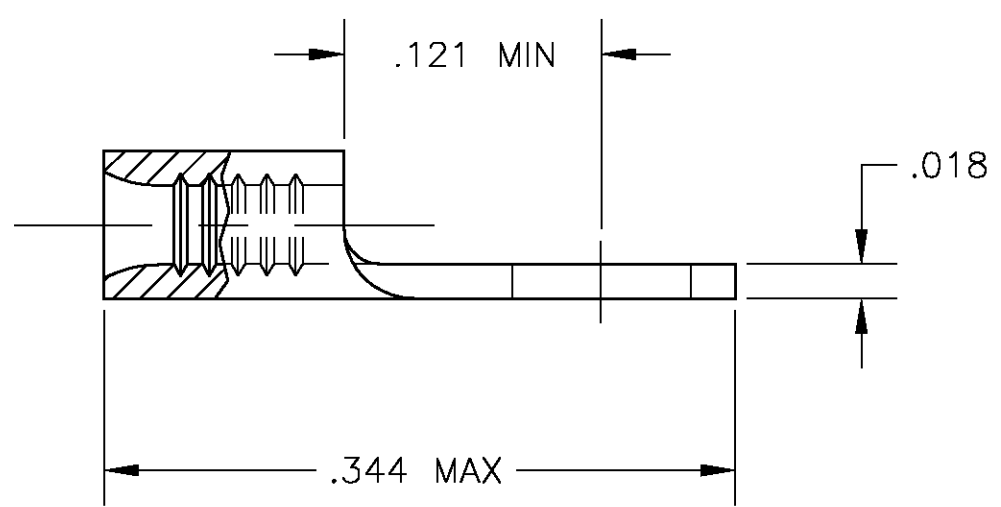
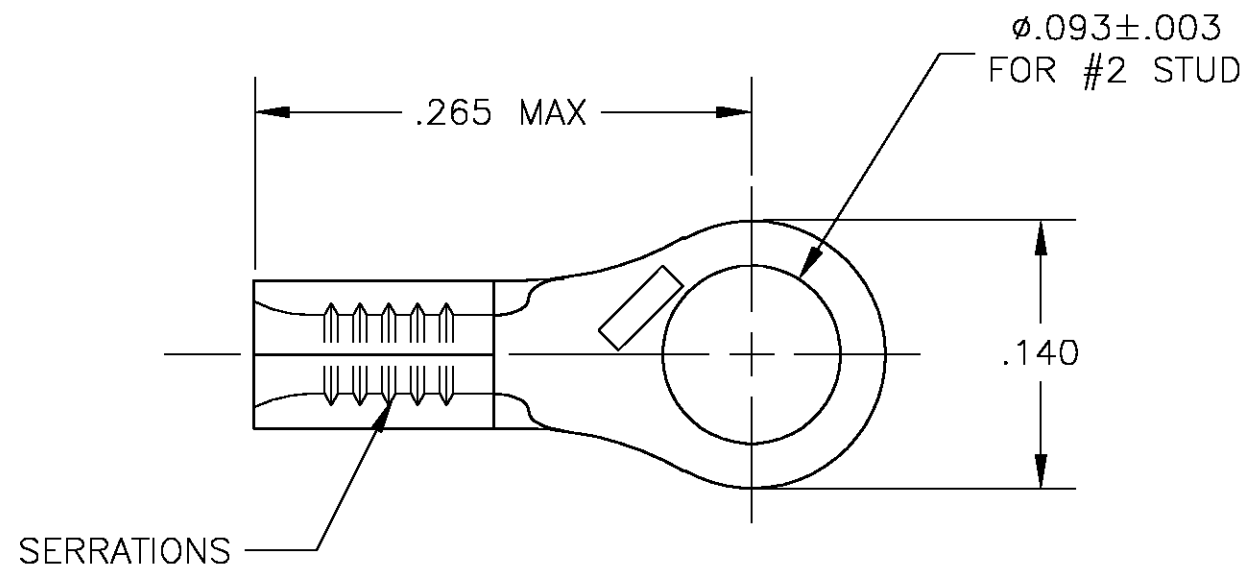


THIS DRAWING IS UNPUBLISHED. RELEASED FOR PUBLICATION  
 © COPYRIGHT BY TYCO ELECTRONICS CORPORATION. ALL RIGHTS RESERVED.

LOC	DIST	REVISIONS					
		P	LTR	DESCRIPTION	DATE	DWN	APVD
G	14		A	REV PER 0G3A-0589-03	02OCT03	JR	MJS



327640-0  
 PART NO

THIS DRAWING IS A CONTROLLED DOCUMENT.		DWN jr_ruth	02OCT03	Tyco Electronics Corporation Harrisburg, PA 17105			
DIMENSIONS: INCHES		CHK MJ SPICER	02OCT03				
		APVD MJ SPICER	02OCT03	NAME WIRE TERMINAL, RING TONGUE, BUDGET WIRE SIZE: 26-22 AWG			
TOLERANCES UNLESS OTHERWISE SPECIFIED:		PRODUCT SPEC		APPLICATION SPEC			
0 PLC ± - 1 PLC ± - 2 PLC ± - 3 PLC ± .008 4 PLC ± - ANGLES ± 5°		WEIGHT	-	SIZE	CAGE CODE	DRAWING NO	RESTRICTED TO
MATERIAL COPPER		FINISH		A3 00779		C=327640	-
CUSTOMER DRAWING				SCALE	10:1	SHEET	1 OF 1
				REV	A		