

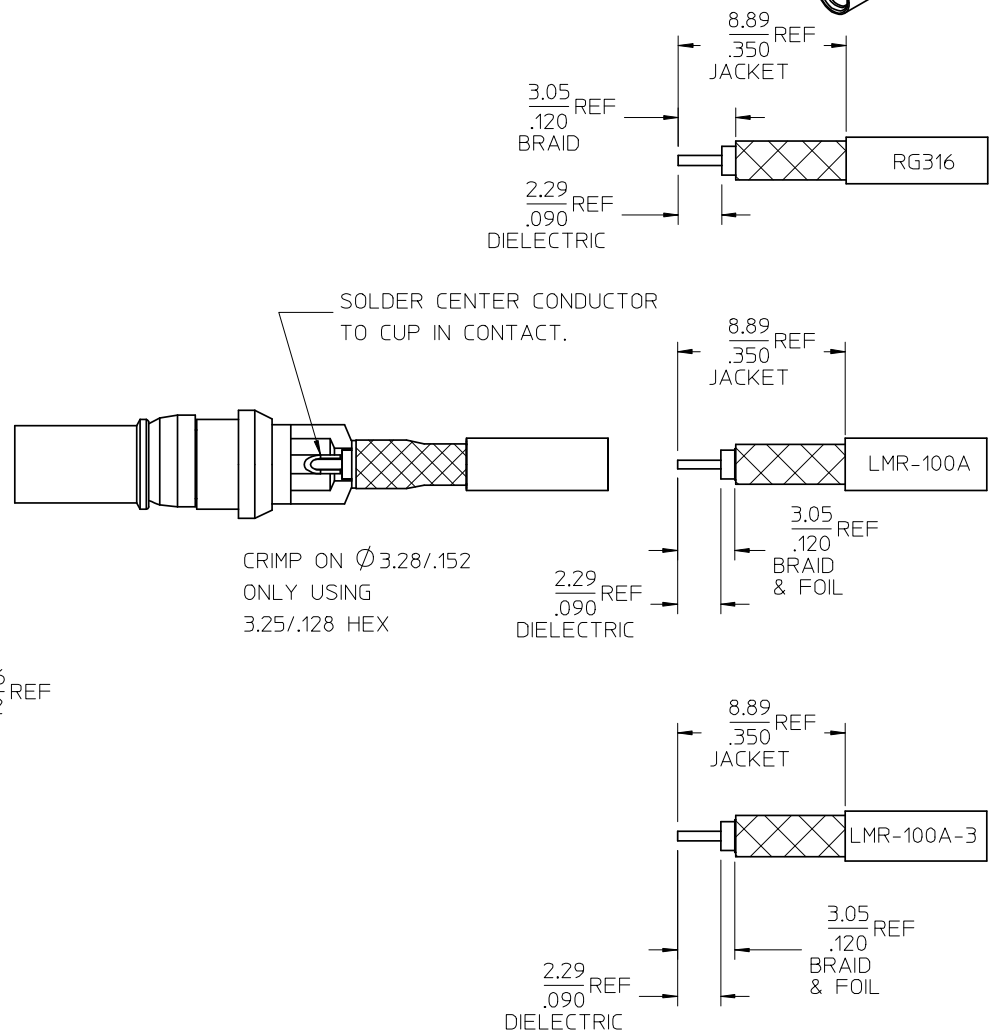
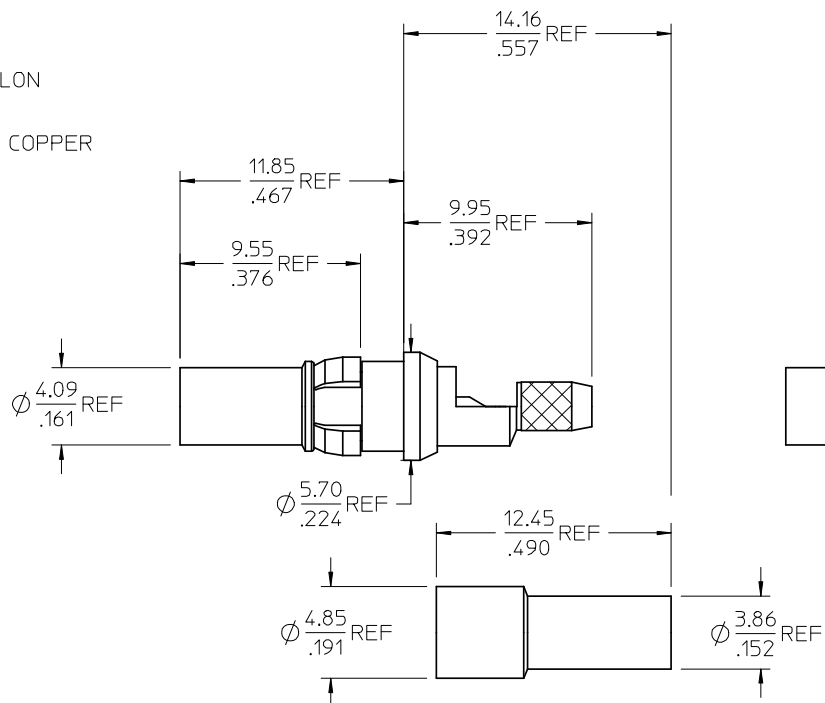
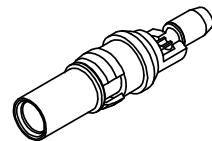
MATERIALS AND FINISHES

BODY, CRIMP TUBE: BRASS  
PLATED GOLD

CONTACT: BERYLLIUM COPPER  
PLATED GOLD

INSULATOR: TEFLON

CLIP: BERYLLIUM COPPER  
PLATED NICKEL



PART # 73174-0270

PS-89675-3450	ELEC/MECH PERFORMANCE
DIN-41626	INTERFACE
SPECIFICATION	DESCRIPTION

CHG: RELEASE  
DRAWING.

EC NO: URF2008-04/16  
DRAWN: ROBERTSON 2008/02/11  
CHKD: SSHAH 2008/02/11  
APPR: JWIENER 2008/02/11

REV	DESCRIPTION
A	

QUALITY SYMBOLS	GENERAL TOLERANCES (UNLESS SPECIFIED)
▽=0	
▽=0	
	ANGULAR ± 2°
	DRAFT WHERE APPLICABLE MUST REMAIN WITHIN DIMENSIONS

DIMENSION STYLE		SCALE	DESIGN UNITS	THIRD ANGLE PROJECTION
MM/IN			METRIC	
DRAWN BY	DATE	TITLE		
GMH	2003/09/05	DIN 41626 JACK, 50 OHM		
CHECKED BY	DATE	RG316, LMR100A, LMR100A3		
SSS	2003/09/05	10/23-JC, EWR-3224		
APPROVED BY	DATE	MOLEX INCORPORATED		
GMH	2003/09/05	MATERIAL NO. 731740270		
MATERIAL NO.		DOCUMENT NO.	SHEET NO.	
731740270		SD-73174-027	1 OF 1	
SIZE	THIS DRAWING CONTAINS INFORMATION THAT IS PROPRIETARY TO MOLEX INCORPORATED AND SHOULD NOT BE USED WITHOUT WRITTEN PERMISSION			
C				

DRAWN BY		DATE	TITLE	
GMH		2003/09/05	DIN 41626 JACK, 50 OHM	
CHECKED BY		DATE	RG316, LMR100A, LMR100A3	
SSS		2003/09/05	10/23-JC, EWR-3224	
APPROVED BY		DATE	MOLEX INCORPORATED	
GMH		2003/09/05	MATERIAL NO. 731740270	
MATERIAL NO.		DOCUMENT NO.	SHEET NO.	
731740270		SD-73174-027	1 OF 1	
SIZE	THIS DRAWING CONTAINS INFORMATION THAT IS PROPRIETARY TO MOLEX INCORPORATED AND SHOULD NOT BE USED WITHOUT WRITTEN PERMISSION			
C				