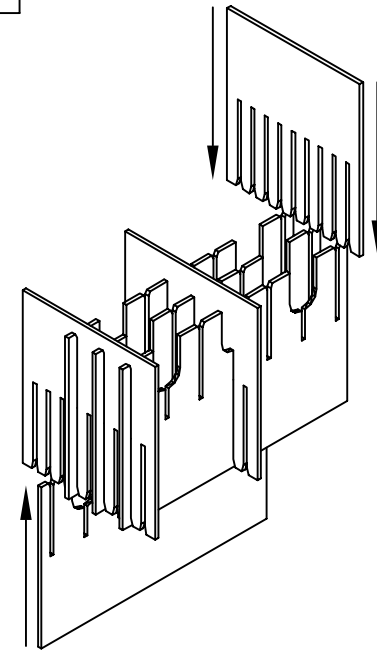
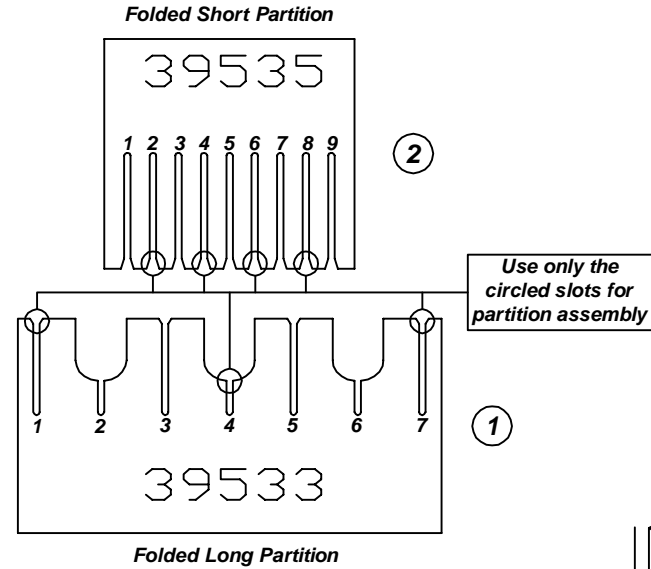
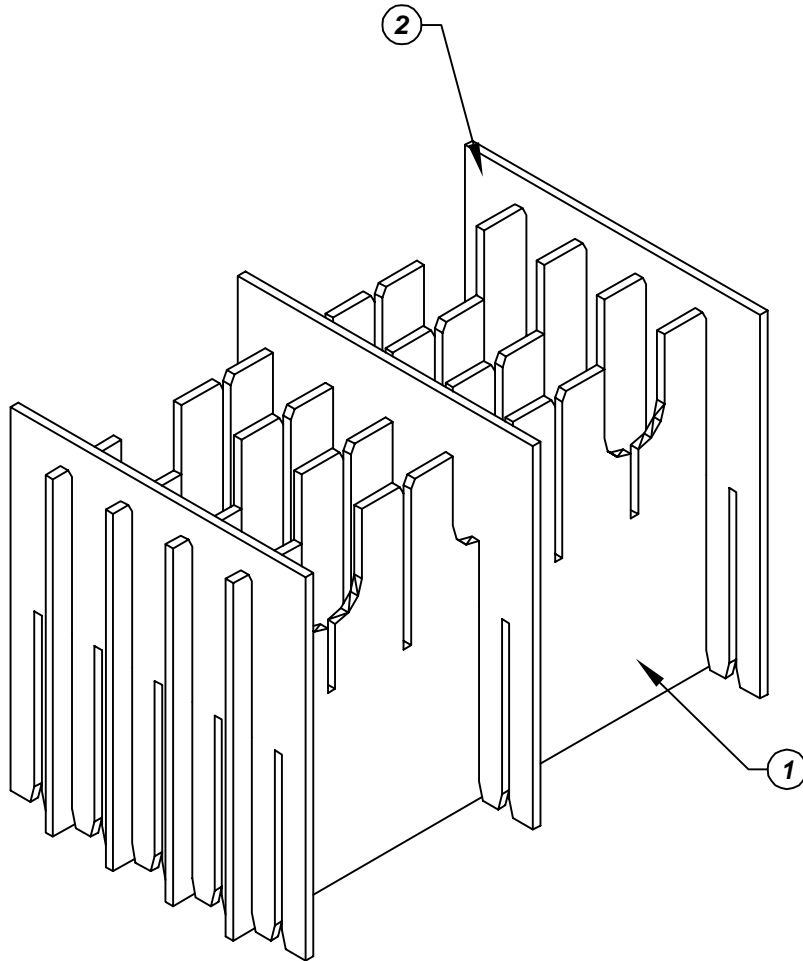


# Assembly Instructions for - 37167



Made in America

F/N ①	Part # 39533	Dimensions: 20-7/8" x 16-5/8"	Description: 402-LP Long Partition	Qty: 4
F/N ②	Part # 39535	Dimensions: 22-3/8" x 9-13/16"	Description: 402-SP Short Partition	Qty: 3

## 37167 - 10 Cell Inplant Handler Cell Size - 11-1/4" x 7-1/4" x 1-3/4"

Notes:  
For use with the following storage container & lid:  
37502 - Storage Container  
37550 - Lid

PROTEKTIVE PAK  
13520 MONTE VISTA AVENUE, CHINO, CA 91710  
PHONE (909) 627-2578, FAX (909) 363-7331  
ProtektivePak.com



DRAWING NUMBER  
**IPH-37167**

DATE  
Dec.  
2007