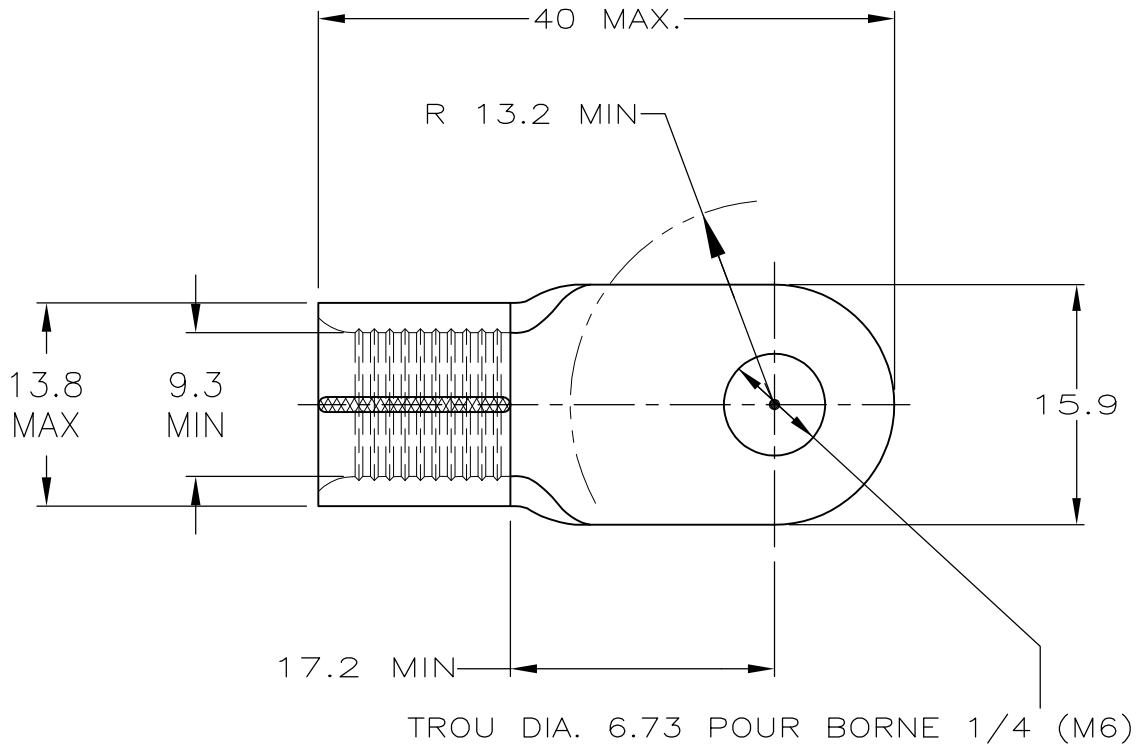


LOC F	DIST —	REVISIONS			
P	LTR	DESCRIPTION	DATE	DWN	APVD
	A1	REVISED PER ECO-15-006978	06JUN2015	NK	MM



EPAISSEUR DE PLAGE : 1.8

1 MATERIAL THICKNESS 1.78±0.08

REFERENCE : 134462-1

RELEASED FOR PUBLICATION

ALL RIGHTS RESERVED.

THIS DRAWING IS UNPUBLISHED.

By -

© COPYRIGHT

DIMENS. FIL  
2 AWG

DIMENSIONS: mm	DWN G. ROBERT	25/01/90	MATERIAL CUIVRE	FINISH NICKEL
	CHK —	—		
TOLERANCES UNLESS OTHERWISE SPECIFIED:	APVD —	—		
0 PLC ± -	PRODUCT SPEC —	—	SIZE A4	CAGE CODE 00779
1 PLC ± 0.3	APPLICATION SPEC —	—	DRAWING NO C-134462	RESTRICTED TO —
2 PLC ± -	WEIGHT —	—	SCALE 2:1	
3 PLC ± -			SHEET 1 OF 1	
4 PLC ± -			REV A1	
ANGLES ± 5'			CUSTOMER DRAWING	

