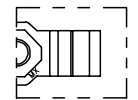
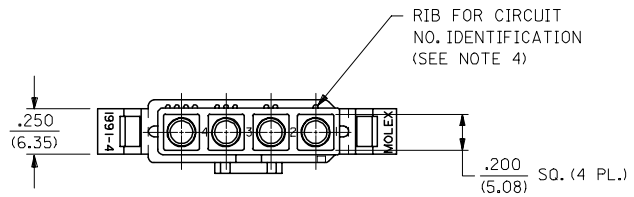


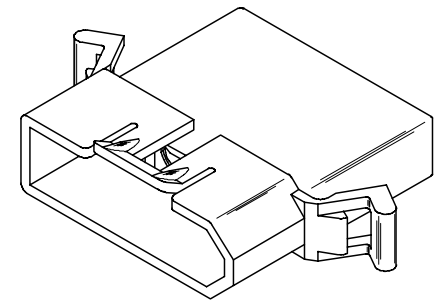
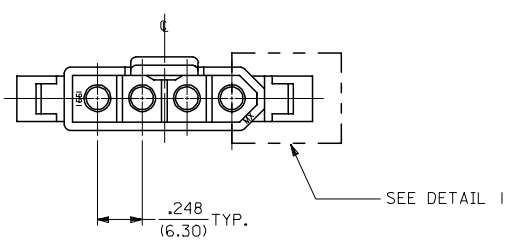
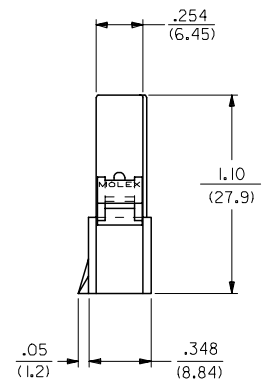
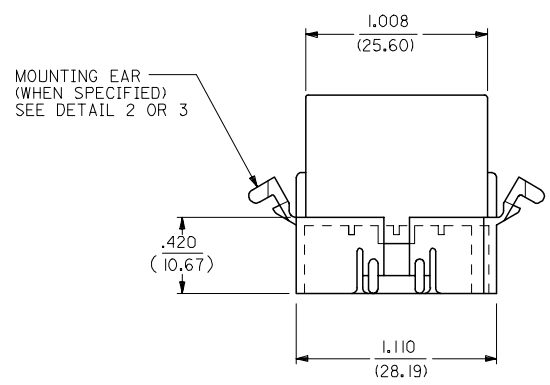
13 12 11 10 9 8 7 6 5 4 3 2 1

PLUG



ALTERNATE SQUARE END CONFIGURATION
(FOUND ON STANDARD MOUNTING EAR
VERSION TOOLS BUILT PRIOR TO 1/87.)

DETAIL 1



PLUG HOUSING

3	J
2	J
1	J
SHT.	REV.

UPDATE TITLE BLOCK EC NO: UCP2007-1498 DRWN: AELHAG 2007/04/04 CHKD: AELHAG 2007/04/04 APPR: FSM TH 2007/04/04 REV. DESCRIPTION	QUALITY SYMBOLS ▽=0 ▽=0	GENERAL TOLERANCES (UNLESS SPECIFIED) <table border="1"> <tr> <th></th> <th>mm</th> <th>INCH</th> </tr> <tr> <td>4 PLACES</td> <td>± .010</td> <td>± .0004</td> </tr> <tr> <td>3 PLACES</td> <td>± .015</td> <td>± .0006</td> </tr> <tr> <td>2 PLACES</td> <td>± 0.25</td> <td>± .010</td> </tr> <tr> <td>1 PLACE</td> <td>± 0.35</td> <td>± .014</td> </tr> </table> ANGULAR ± 1 °		mm	INCH	4 PLACES	± .010	± .0004	3 PLACES	± .015	± .0006	2 PLACES	± 0.25	± .010	1 PLACE	± 0.35	± .014	DIMENSION STYLE IN/MM DRAWN BY: GEP DATE: 1988/03/01 CHECKED BY: RW DATE: 1988/03/01 APPROVED BY: RAS DATE: 1988/03/01 MATERIAL NO. SEE CHART	SCALE: 2:1 DESIGN UNITS: INCH THIRD ANGLE PROJECTION	TITLE: .093/(2.36) HOUSINGS, PLUG AND RECEPTACLE, 4 CKT, .248/(6.30) CTRS. MOLEX INCORPORATED
		mm	INCH																	
	4 PLACES	± .010	± .0004																	
	3 PLACES	± .015	± .0006																	
2 PLACES	± 0.25	± .010																		
1 PLACE	± 0.35	± .014																		
DRAFT WHERE APPLICABLE MUST REMAIN WITHIN DIMENSIONS	SIZE: C THIS DRAWING CONTAINS INFORMATION THAT IS PROPRIETARY TO MOLEX INCORPORATED AND SHOULD NOT BE USED WITHOUT WRITTEN PERMISSION	DOCUMENT NO.: SD-1991-4* SHEET NO.: 1 OF 3																		

12 11 10 9 8 7 6 5 4 3 2 1

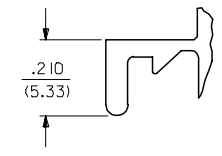
	13	12	11	10	9	8	7	6	5	4	3	2	1
	PLUG			RECEPTACLE									
J	PART NO.	ENG. NO.		PART NO.	ENG. NO.								
	I9-09-2042	I991-4P1		I9-09-1041	I991-4R								
	I9-09-2043	I991-4P2		I9-09-1042	I991-4R1								
				I9-09-1043	I991-4R2								
I													
H													

LEGEND:

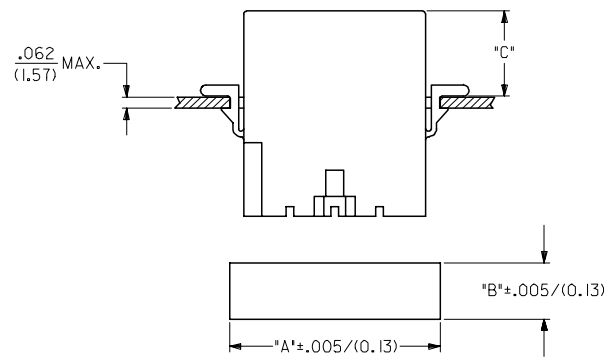
1991-4****
 CIRCUIT SIZE
 P = PLUG
 R = RECEPTACLE

BLANK = WITH STANDARD EARS
 1 = WITHOUT EARS
 2 = WITH PREBENT EARS, PER DETAIL 3

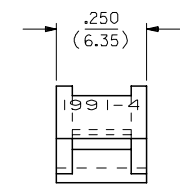
COLOR: BLANK=NATURAL COLOR
 AM=AMBER BK=BLACK BU=BLUE
 BN=BROWN GY=GRAY GN=GREEN
 OR=ORANGE RD=RED YW=YELLOW



DETAIL 2
 STANDARD MOUNTING EAR
 (SCALE 4:1)



HOUSING	DIM. "A"	DIM. "B"	DIM. "C" STD. EAR	DIM. "C" PREBENT
PLUG	1.270/(32.26)	.365/(9.27)	.48/(12.2)	.52/(13.2)
RECEPTACLE	1.168/(29.67)	.311/(7.90)	.47/(11.9)	.51/(12.9)



DETAIL 3
 PREBENT MOUNTING EAR
 (SCALE 4:1)

NOTES:

1. MATERIAL: NYLON TYPE 6/6, 94V-2.
2. FINISH: N/A
3. PRODUCT SPECIFICATION: PS-02-09
4. PACKAGING SPECIFICATION: PK-1991-001
5. ACCEPTS MOLEX .093/(2.36) SERIES TERMINALS.
6. PARTS FROM EARLIER VERSION TOOLS DO NOT HAVE CIRCUIT IDENTIFICATION RIBS
7. PARTS CONFORM TO CLASS B REQUIREMENTS OF COSMETIC SPECIFICATION: PS-45499-002.

UPDATE NOTES EC NO: UCP2007-1498 DRW: AELHAG 2007/04/04 CHKD: AELHAG 2007/04/04 APPR: FSM TH 2007/04/04 REVISION DESCRIPTION	QUALITY SYMBOLS 	GENERAL TOLERANCES (UNLESS SPECIFIED) <table border="1"> <tr> <th></th> <th>mm</th> <th>INCH</th> </tr> <tr> <td>4 PLACES</td> <td>± .10</td> <td>± .004</td> </tr> <tr> <td>3 PLACES</td> <td>± .12</td> <td>± .005</td> </tr> <tr> <td>2 PLACES</td> <td>± .15</td> <td>± .006</td> </tr> <tr> <td>1 PLACE</td> <td>± .20</td> <td>± .008</td> </tr> </table>		mm	INCH	4 PLACES	± .10	± .004	3 PLACES	± .12	± .005	2 PLACES	± .15	± .006	1 PLACE	± .20	± .008	DIMENSION STYLE IN/MM DRAWN BY: GEP DATE: 1988/03/02 CHECKED BY: RW DATE: 1988/03/02 APPROVED BY: RAS DATE: 1988/03/02	SCALE 2:1 DESIGN UNITS INCH THIRD ANGLE PROJECTION
		mm	INCH																
	4 PLACES	± .10	± .004																
	3 PLACES	± .12	± .005																
2 PLACES	± .15	± .006																	
1 PLACE	± .20	± .008																	
DRAFT WHERE APPLICABLE MUST REMAIN WITHIN DIMENSIONS		MATERIAL NO. SEE CHART	TITLE .093/(2.36) HOUSINGS, PLUG AND RECEPTACLE, 4 CKT, .248/(6.30) CTRS.	SHEET NO. 3 OF 3															
		MATERIAL NO. SEE CHART	DOCUMENT NO. SD-1991-4*	MOLEX INCORPORATED															
		THIS DRAWING CONTAINS INFORMATION THAT IS PROPRIETARY TO MOLEX INCORPORATED AND SHOULD NOT BE USED WITHOUT WRITTEN PERMISSION																	