

MODEL:

CS16USB

16-Device USB Charging Station with Syncing



Holds Up to 16 Tablets



2.4A USB Charging per Port



200 lb. Load Rating



Sturdy Steel Construction



Locking Doors & Side Panels



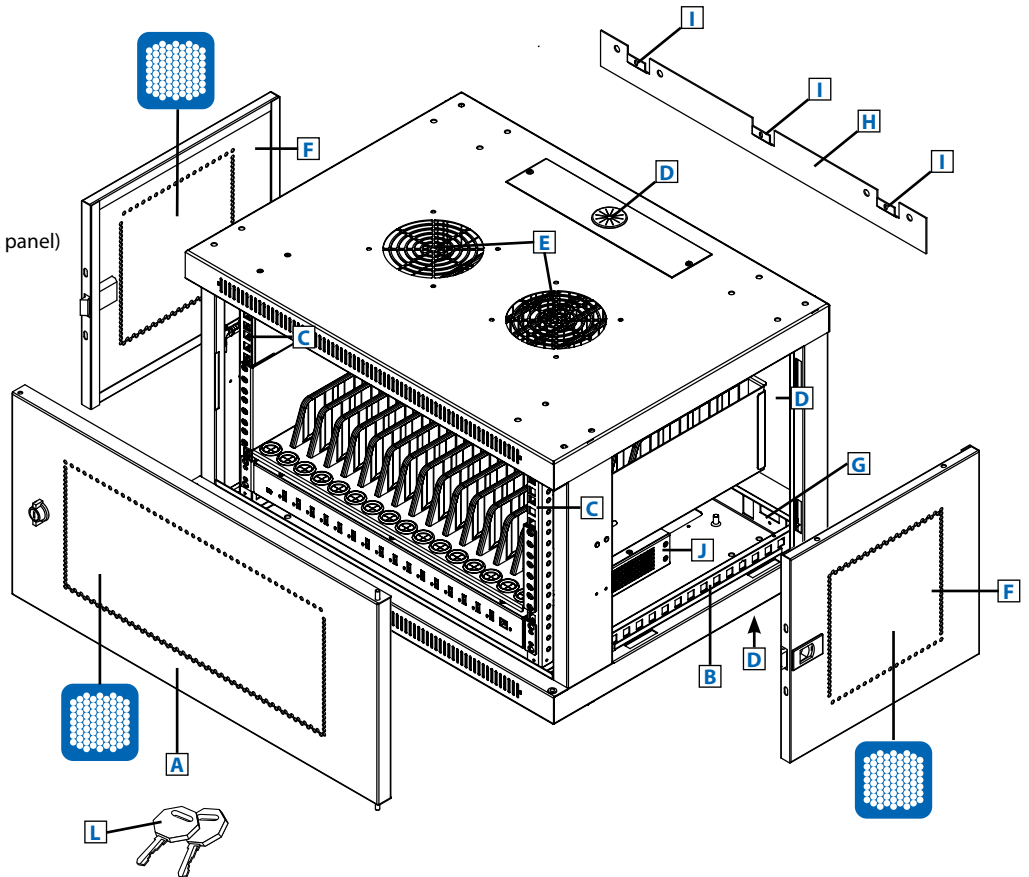
Adjustable Storage Shelf Dividers



Ventilated for Ample Airflow

- A** Locking Front Door
- B** Horizontal Rails
- C** Vertical Mounting Rails
- D** Secure Top and Bottom Cable Access Plates
- E** Vents
- F** Locking/Removable Side Panels
- G** Mounting Notches (found on enclosure's back panel)
- H** Mounting Plate (separate piece)
- I** Mounting Hooks (found on Mounting Plate)
- J** 1U Rack-Mountable 16-Port USB Charger/Hub
- K** Adjustable 16-tablet Storage Shelf
- L** Keys

Also Includes: Owner's Manual



- Locking steel cabinet provides 2.4A USB charging, syncing, secure storage and cord management for up to 16 tablets and other USB devices
- Supports iPad®, Android™, Surface™ and Kindle tablets
- Adjustable/removable storage shelf dividers accommodate thicker devices
- Door locks with included keys prevent device theft, damage or tampering

SEE NEXT PAGE FOR DETAILED UNIT MEASUREMENTS



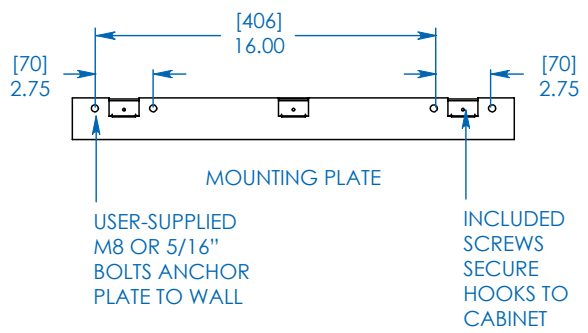
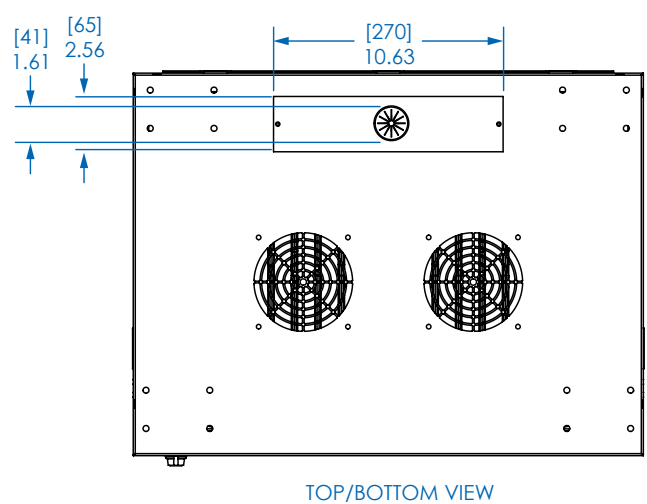
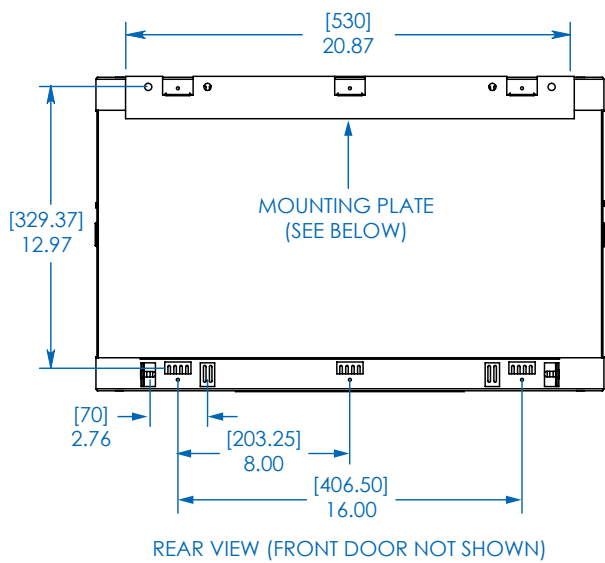
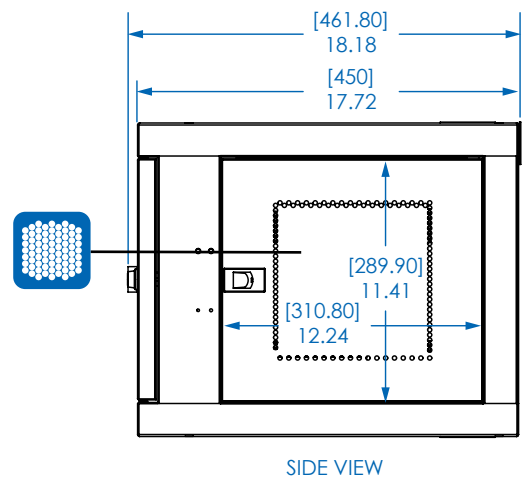
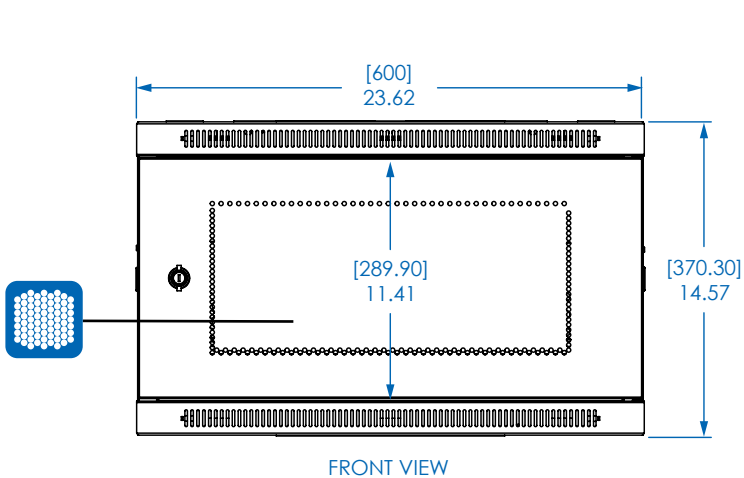
1111 W. 35th Street
Chicago, IL 60609 USA
773.869.1234
www.tripplite.com



Specifications

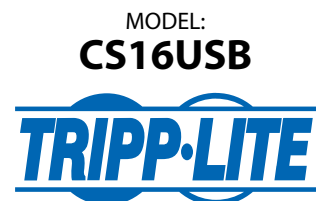
Model	CS16USB
Maximum Devices Per Shelf	16
Charger/Hub Ports	16 x USB 2.0 A (Female), 1 x USB 2.0 B (Female), 1 x USB 2.0 mini (Female)
Equipment Mounting Depth	16.5 in. / 419 mm
Load Rating*	200 lbs. / 90 kg
Unit Dimensions (H x W x D)	14.6 x 23.6 x 17.8 in. / 370 x 600 x 450 mm
Unit Weight	55 lb. / 25 kg
Transmission Speed	Up to 480 Mbps
Power Requirement	Input: 100-240V, 2.5A, 50/60 Hz Output: 5.0V, 2.4A Max (per USB port)
Standards	Meets UL 60950, TUV (US and Canada), NOM (Mexico) and RoHS standards

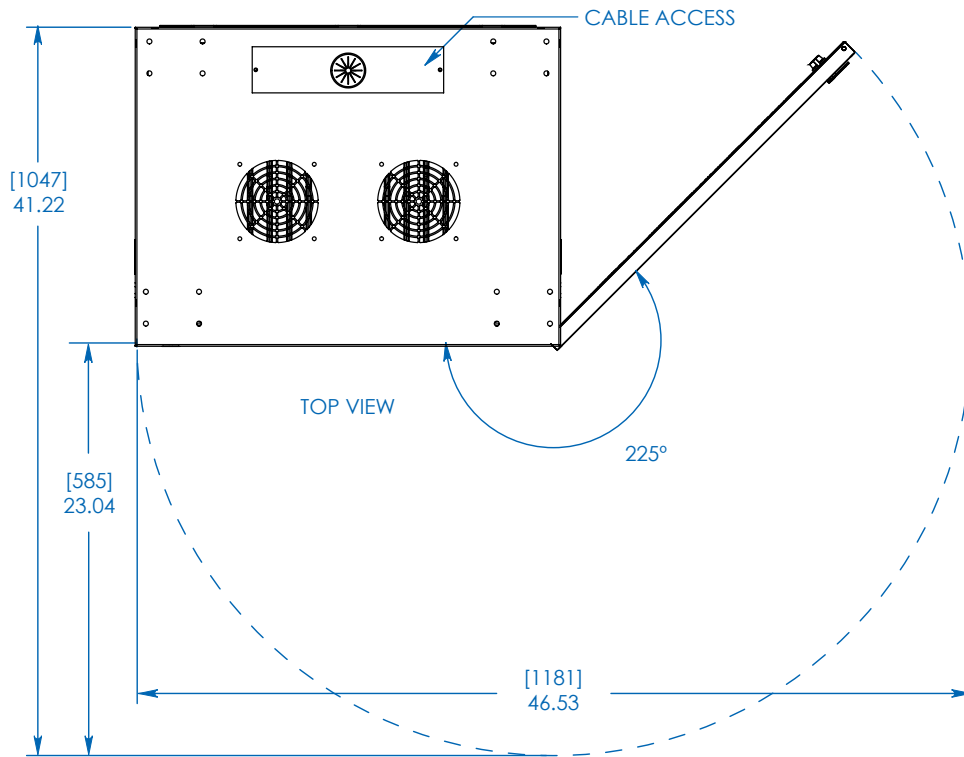
* The load rating includes the combined weight of the unit and installed equipment. The unit must be mounted to a stable surface with user-supplied anchors capable of bearing the full load.



Dimensions: [mm] INCHES

Tripp Lite has a policy of continuous improvement. Specifications are subject to change without notice.



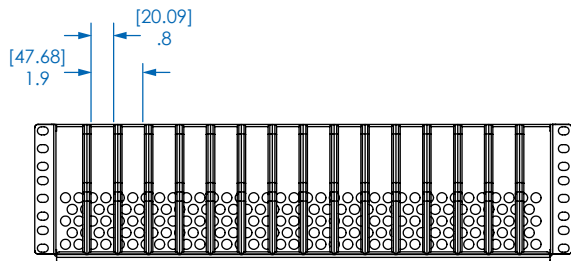


MODEL:
CS16USB

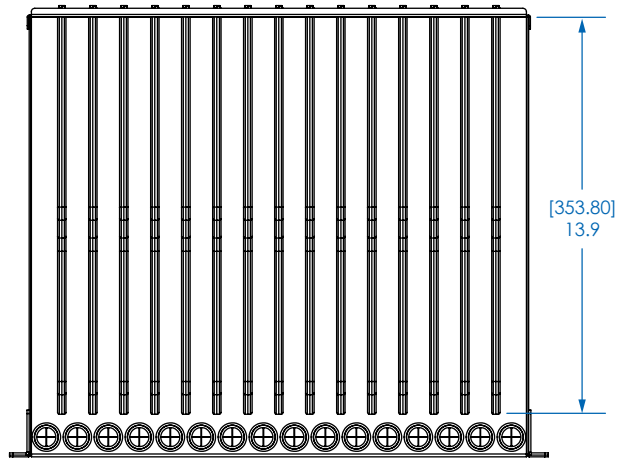


Dimensions: [mm] INCHES

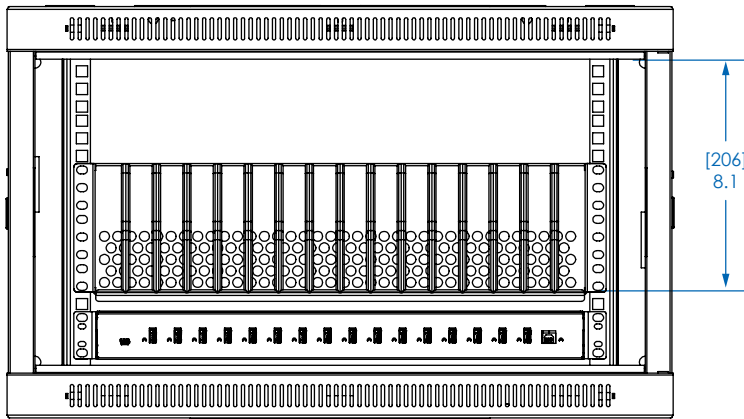
Tripp Lite has a policy of continuous improvement. Specifications are subject to change without notice.



SHELF FRONT VIEW



SHELF TOP VIEW



CABINET FRONT VIEW

Dimensions: [mm] INCHES

Tripp Lite has a policy of continuous improvement. Specifications are subject to change without notice.

MODEL:
CS16USB
TRIPP·LITE

1111 W. 35th Street
 Chicago, IL 60609 USA
 773.869.1234
 www.tripplite.com