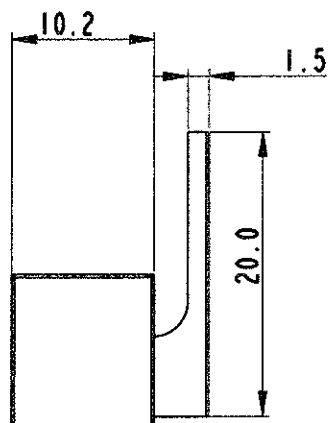
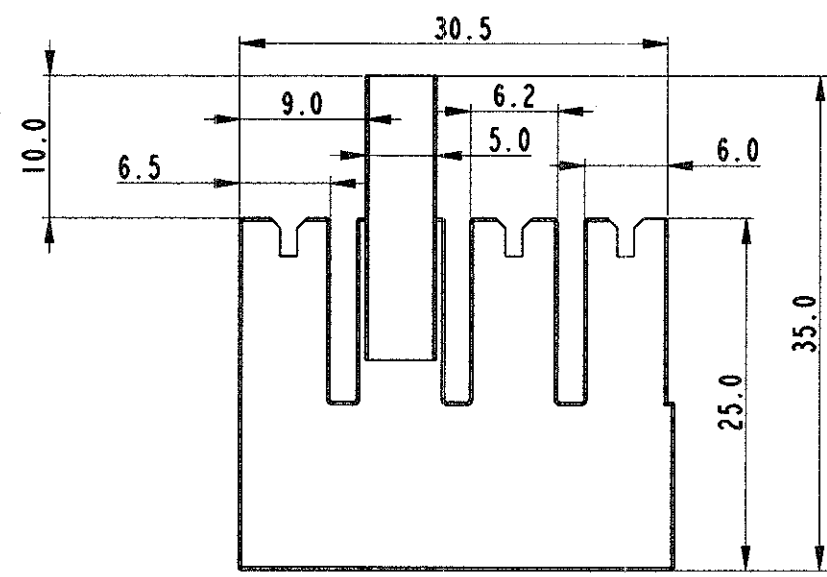
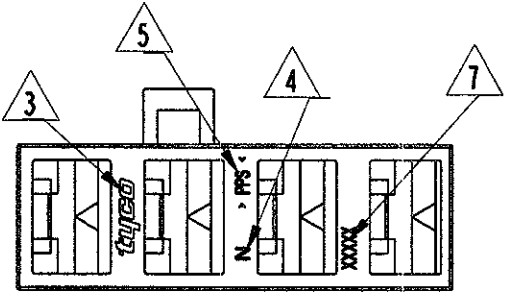
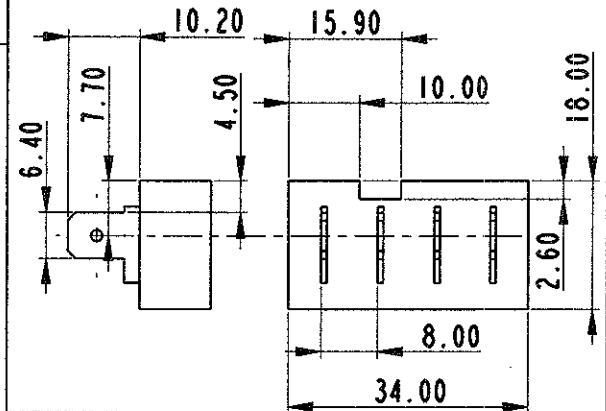
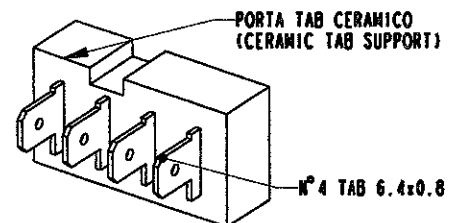


THIS DRAWING IS UNPUBLISHED. RELEASED FOR PUBLICATION .19  
 © COPYRIGHT 19 BY AMP INCORPORATED. ALL RIGHTS RESERVED.

LOC		DIST		REVISIONS			
P	LTR	DESCRIPTION	DATE	DWN	APVD		
	0	PRELIMINARY	26JUL2000	CC	DM		
	A	FIRST ISSUE NOT RELEASED FOR PRODUCTION - ET00-0128-01	14MAG.2001	CC	DM		
	B	REVISED FOR EC - ET00-0049-02	12-APR-02	CC	DM		
	C	REVISED AND RELEASED FOR PRODUCTION FOR ET00-0224-02	01-APR-03	AV	BT		

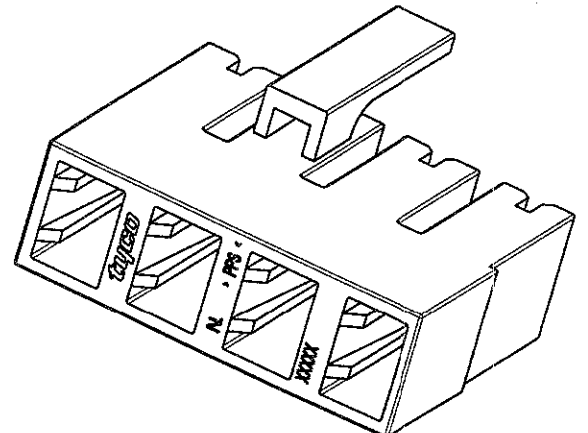
CONNETTORE CONTROPARTE SOLO PER RIFERIMENTO.  
 (COUNTERPART ONLY FOR REFERENCE)



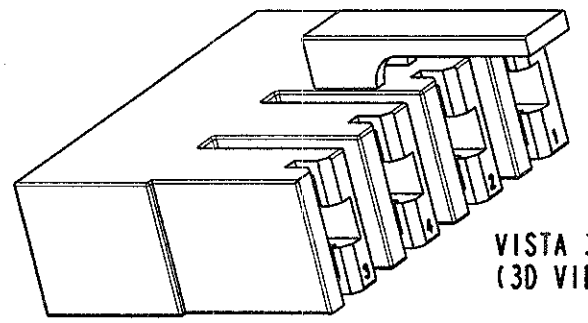
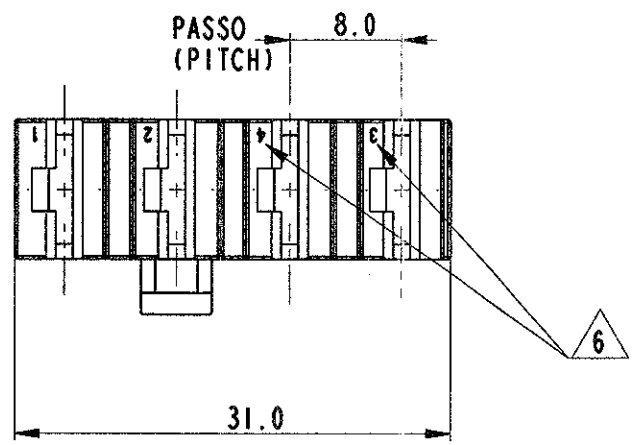
IL DISEGNO INDICA IL CODICE 284674-1  
 PN 284674-1 AS SHOWN

NOTE:

- 1) MATERIA PRIMA: PPS CARICATO, COLORE NERO. (PPS-GFM, BLACK COLOR)
- 2) CONNETTORE ADATTO PER ALLOGGIARE TERMINALI FASTIN-FASTON RECEPTACLE PN 284340-5 OR EQUIVALENT (CONNECTOR FOR AMP FASTIN-ON CONTACTS LIKE PN 284340-5)
- 3) MARCHIO COSTRUTTORE TYCO. (TYCO MANUFACTURING LOCATION CODE).
- 4) CODICE IDENTIFICAZIONE CAVITA'-STAMPO (MOULD CAVITY ID. CODE)
- 5) CODICE IDENTIFICAZIONE MATERIA PRIMA (MATERIAL ID. CODE)
- 6) NUMERO DI VIA PER INSERZIONE CONTATTO POSIZIONATO COME INDICATO (WAY ID. NUMBER AS SHOWN)
- 7) CODICE PRODOTTO TYCO, POSIZIONATO COME INDICATO (TYCO PART NUMBER AS SHOWN)



VISTA 3D, LATO USCITA CAVI  
 (WIRE EXIT, BACK SIDE)



VISTA 3D LATO TAB  
 (3D VIEW, TAB SIDE)

SCALE 2:1

THIS DRAWING IS A CONTROLLED DOCUMENT FOR AMP INCORPORATED. IT IS SUBJECT TO CHANGE AND THE CONTROLLING ENGINEERING ORGANIZATION SHOULD BE CONTACTED FOR THE LATEST REVISION.		DWN C. CORDOLA 12DEC2000	AMP Italia S.p.A. Electronics C.so F.lli Cervi, 15 Collegno (TO)	
DIMENSIONS: mm		CHK D. MOTTA 12DEC2000		
TOLERANCES UNLESS OTHERWISE SPECIFIED:		APVD G. TURCO 12DEC2000	NAME 4 POS. HOUSING 8 mm PITCH high temperature application.	
0 PLC ± 0.5 1 PLC ± 0.3 2 PLC ± 0.15 3 PLC ± . 4 PLC ± . ANGLES ± 1°		PRODUCT SPEC	SIZE CAGE CODE DRAWING NO A3 00779 C- 284674	
MATERIAL See note (vedi note)		APPLICATION SPEC	RESTRICTED TO	
FINISH		WEIGHT	SCALE 2:1 SHEET 1 OF 1 REV C	
		CUSTOMER DRAWING		