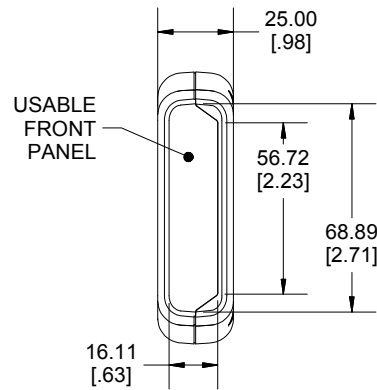
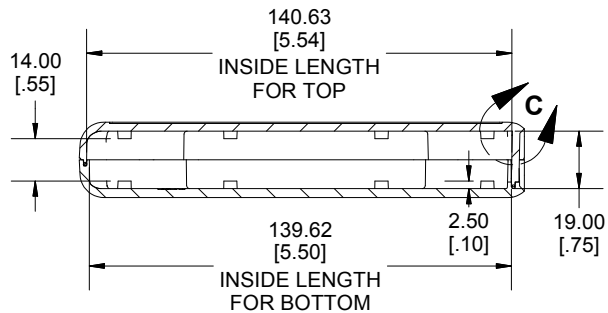


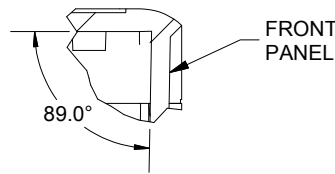
**TOP VIEW**



**FRONT VIEW**



**SECTION B-B  
SIDE VIEW**



**DETAIL C  
SCALE 1 : 1**

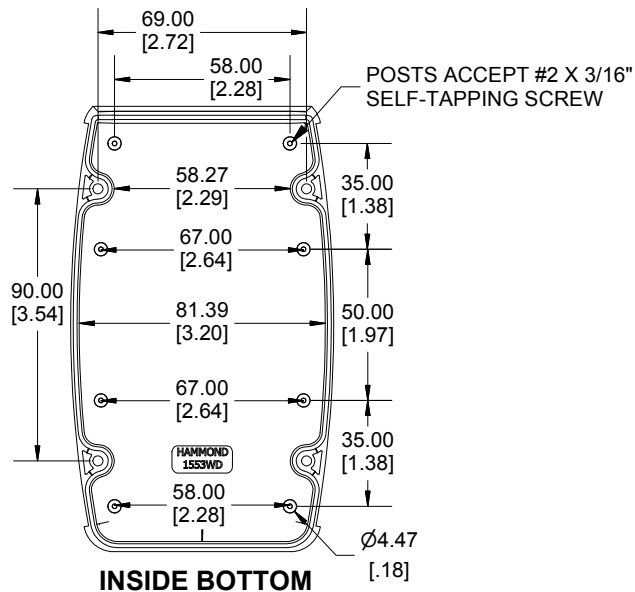


Enclosures can be Factory Modified ( Milling, Drilling, Printing etc.)  
 Contact Factory [mjm@hammondmfg.com](mailto:mjm@hammondmfg.com) for quotes  
 Solid models of this enclosure available in STEP or IGES.  
 (Part number and text placement/orientation on our products are subject to change,  
 we do not recommend using them as a locating reference for modification purposes)

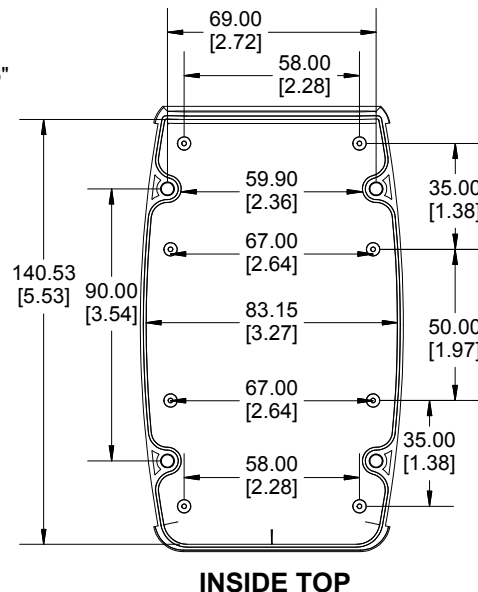
**NOTE**

Enclosure made from UV Stabilized, FR ABS (UL 94-V0) plastic.  
 Purchased assembly includes Top, Bottom, Pre-Installed Silicone Gasket,  
 and 4 Cover Screws. M3 Brass Inserts are Pre-Installed.

**Recommended Cover screw torque -- 2.5 lbf-in (30 cN-m)**



**INSIDE BOTTOM**



**INSIDE TOP**

**Dimensions:**  
 mm  
 [inches]

<b>PART NUMBER</b>	
<b>1553WD Liquid Resistant Enclosure</b>	
Black Enclosure/Grey Over-mold	1553WDBK
Grey Enclosure/Grey Over-mold	1553WDGY
<b>ACCESSORIES</b>	
Silicone Pre-formed Gaskets (Pkg 2)	1553WDGASKET
Stainless Steel Cover screw (Pkg 100) [M3-0.5 X 18mm]	SC1553WB100BK (Black)
P.C. Board Plastite Self Tapping Screw [#2 X 3/16" (6.4mm) Plated]	1553WTS100 (Pkg 100)

**HAMMOND  
MANUFACTURING**

**1553WD**

[www.hammondmfg.com](http://www.hammondmfg.com)