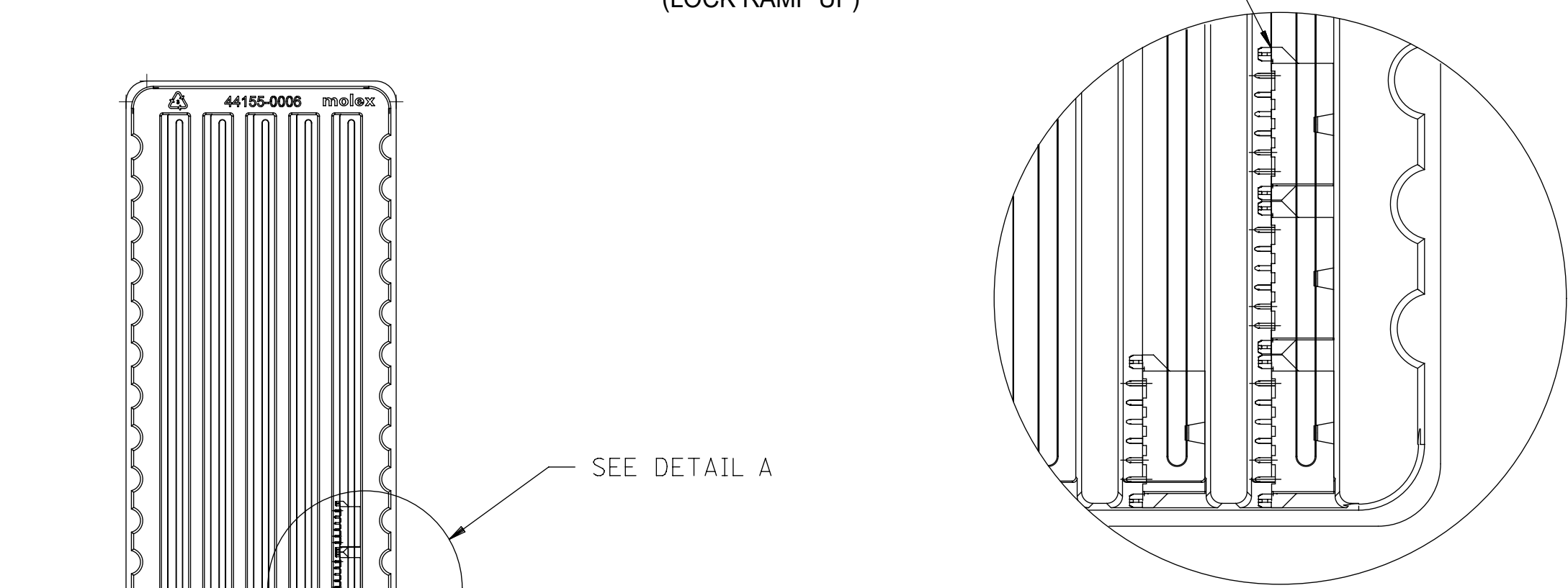


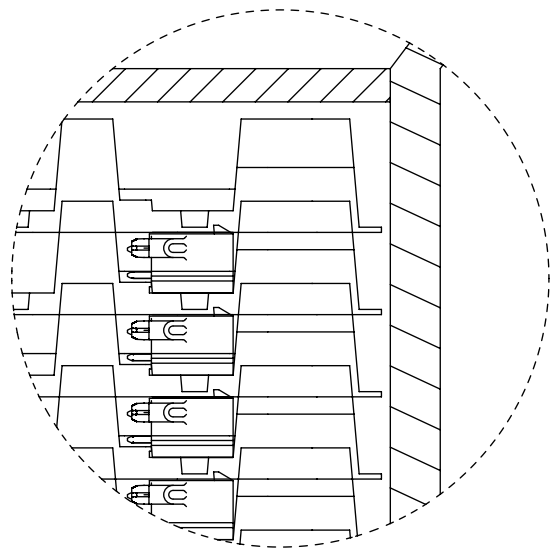
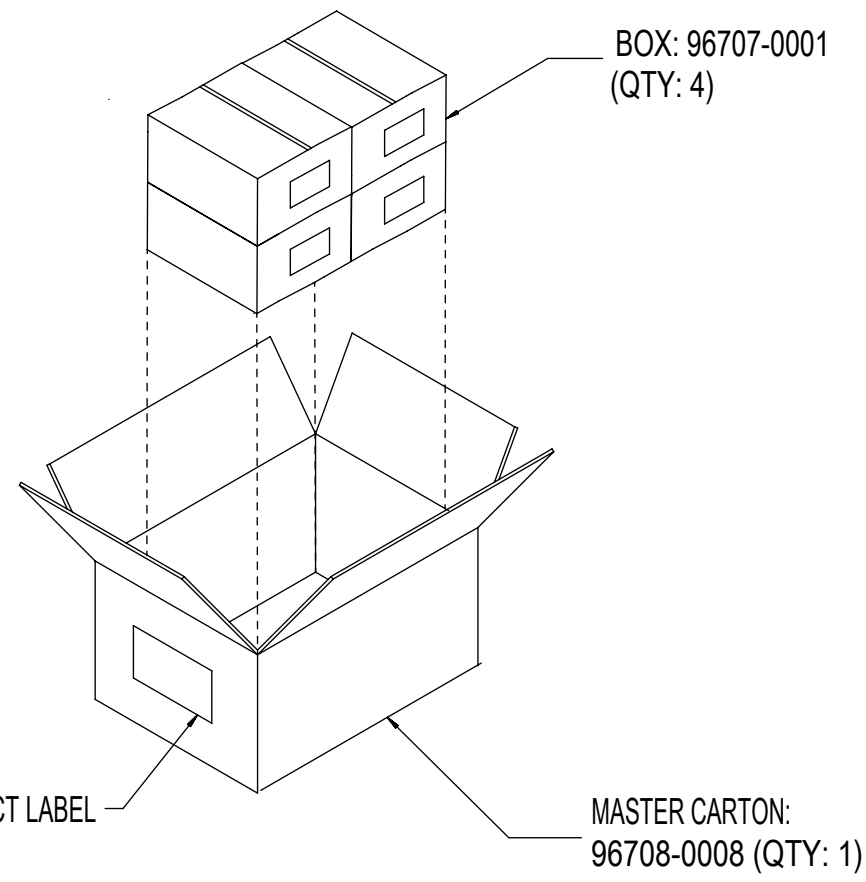
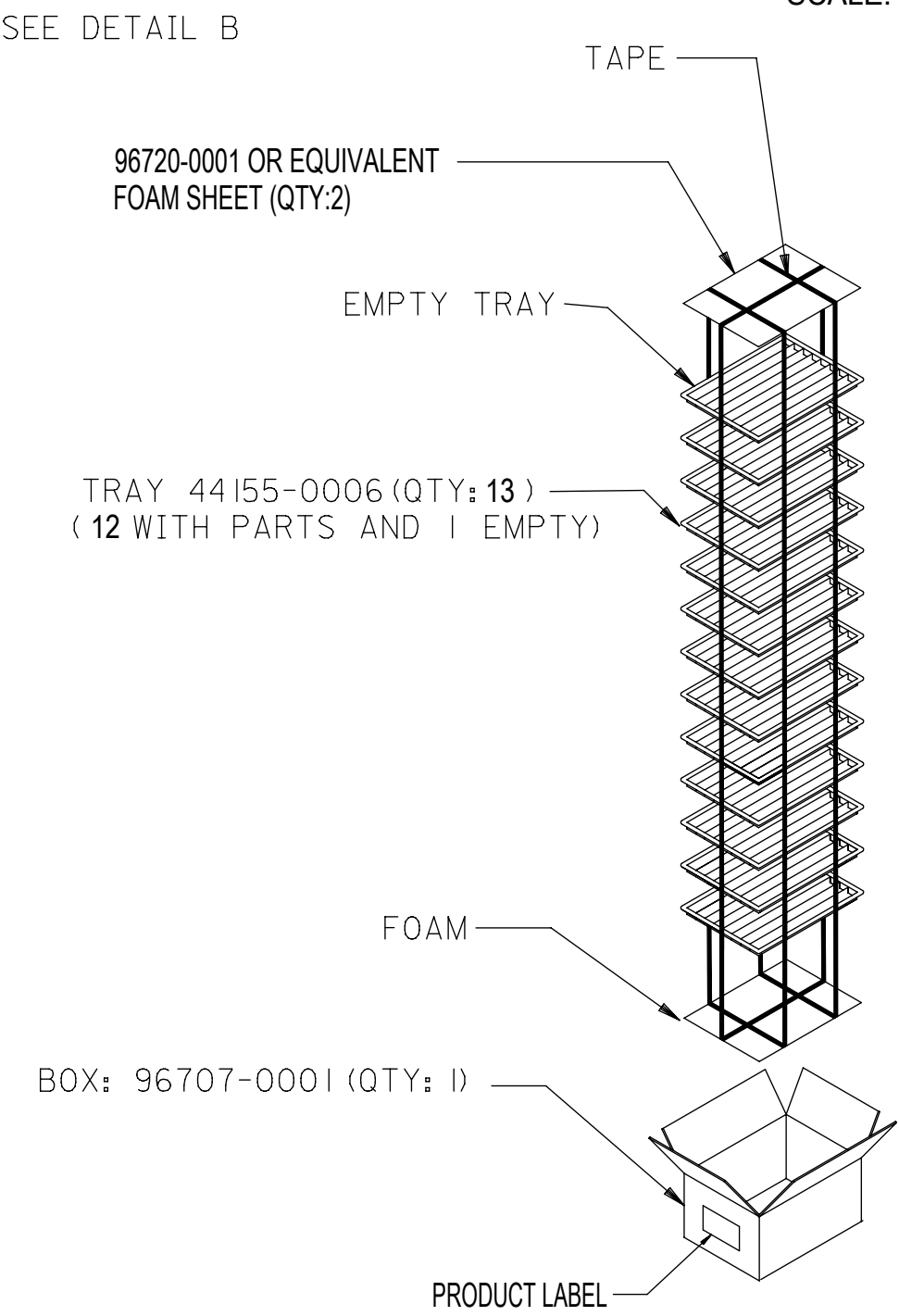
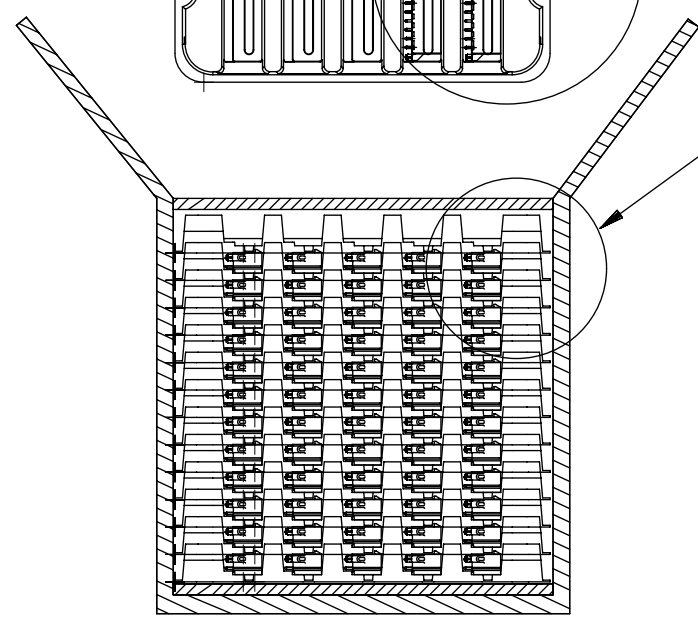
46207-**** PARTS TO BE ORIENTATED
IN TRAY AS SHOWN
(LOCK RAMP UP)

HEADER WITH PEGS			
NO. OF CKTS	PARTS PER TRAY	PARTS PER BOX	STD. PACK QUANTITY PER MASTER CARTON
2	130	1560	6240
4	95	1140	4560
6	75	900	3600
8	65	780	3120
10	55	660	2640
12	45	540	2160
14	40	480	1920
16	35	420	1680
18	35	420	1680
20	30	360	1440
22	30	360	1440
24	25	300	1200

HEADER WITHOUT PEGS			
NO. OF CKTS	PARTS PER TRAY	PARTS PER BOX	STD. PACK QUANTITY PER MASTER CARTON
2	280	3360	13440
4	160	1920	7680
6	115	1380	5520
8	85	1020	4080
10	70	840	3360
12	60	720	2880
14	50	600	2400
16	45	540	2160
18	40	480	1920
20	35	420	1680
22	30	360	1440
24	30	360	1440



DETAIL A
SCALE: 3:1



DETAIL B
SCALE: 3:1

THIS DRAWING CONTAINS INFORMATION THAT IS PROPRIETARY TO MOLEX ELECTRONIC TECHNOLOGIES, LLC AND SHOULD NOT BE USED WITHOUT WRITTEN PERMISSION

QUALITY SYMBOLS ▽ = 0 ▽ = 0 ▽ = 0 ▼ = 0 ▽ = 0 ⊠ = 0 ■ = 0 ▽ = 0	ADD 2CKT TO TABLE EC NO: 112837 DRWN: CSLAFTER CHKD: JBELL REV APPR: FSMITH	GENERAL TOLERANCES (UNLESS SPECIFIED) <table border="1"> <tr><th></th><th>MM</th><th>INCH</th></tr> <tr><td>4 PLACES</td><td>±</td><td>±</td></tr> <tr><td>3 PLACES</td><td>±</td><td>±</td></tr> <tr><td>2 PLACES</td><td>±</td><td>±</td></tr> <tr><td>1 PLACES</td><td>±</td><td>±</td></tr> <tr><td>0 PLACES</td><td>±</td><td>±</td></tr> </table>		MM	INCH	4 PLACES	±	±	3 PLACES	±	±	2 PLACES	±	±	1 PLACES	±	±	0 PLACES	±	±	DIMENSION UNITS: IN/MM SCALE: 1:1 DRWN BY: CSTEWART DATE: 2006/05/16 CHK'D BY: BWIRKUS DATE: 2006/05/16 APPR BY: FSMITH DATE: 2016/12/20	 PACKAGING SPECIFICATION MINI-FIT JR VERT HDR 46207 SERIES IN LCP PACKAGING DESIGN DRAWING SERIES: 46207 MATERIAL NUMBER: [blank] CUSTOMER: GENERAL MARKET DOCUMENT NUMBER: PK-46207-001 DOC TYPE: PDD DOC PART: 000 SHEET NUMBER: 1 OF 1
			MM	INCH																		
		4 PLACES	±	±																		
		3 PLACES	±	±																		
2 PLACES	±	±																				
1 PLACES	±	±																				
0 PLACES	±	±																				
ANGULAR TOL: [blank]	DRAWING SIZE: C THIRD ANGLE PROJECTION																					
DRAFT WHERE APPLICABLE MUST REMAIN WITHIN DIMENSIONS																						