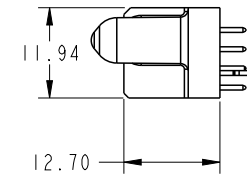
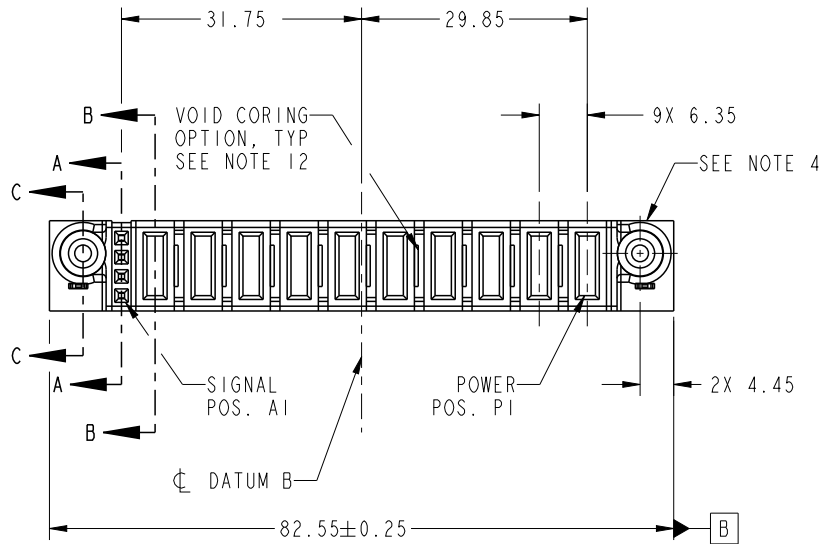


PRODUCT NO.	ROWS	SIGNAL										POWER					
		E2	1	P10	P9	P8	P7	P6	P5	P4	P3	P2	P1	E1			
51940-402-- NOTE: 3	D C B A																

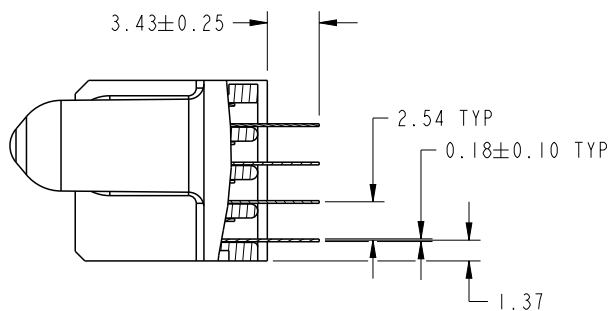


CODE	DIM "M" MATING LENGTH	CONTACT TYPE
E	[N/A]	SIGNAL
PA	[1.07]	POWER
HA	[N/A]	HOLD-DOWN

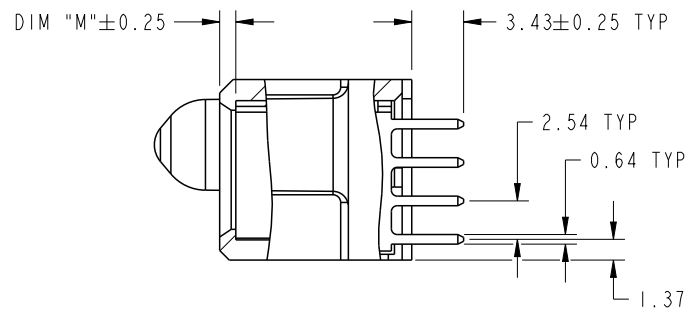
spec ref	SEE NOTES			dr	Guang, Shi	2011/09/02	projection 	MM ←→	size	A4	scale	1:1	
tolerance std	TOLERANCES UNLESS OTHERWISE SPECIFIED			eng	Guang, Shi	2011/09/06			ecn no	-			
SEE NOTES				chr	-	-			rel level	Released			
surface ✓	linear	0.X	±0.50		title	IOP+4S	www.fci.com	product family	PwrBlade	dwg no	51940-402	rev	A
		0.XX	±0.25										
angular	0°	±2°											
				cat. no.	Product - Customer Drw				sheet 1 of 4				

PRODUCT NUMBER

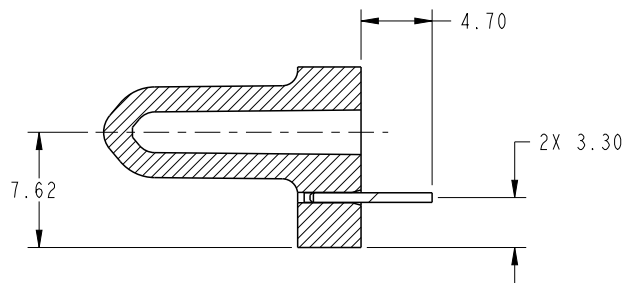
51940-402__
NOTE: 3



SECTION A-A
SCALE 2:1



SECTION B-B
SCALE 2:1



SECTION C-C
SCALE 2:1

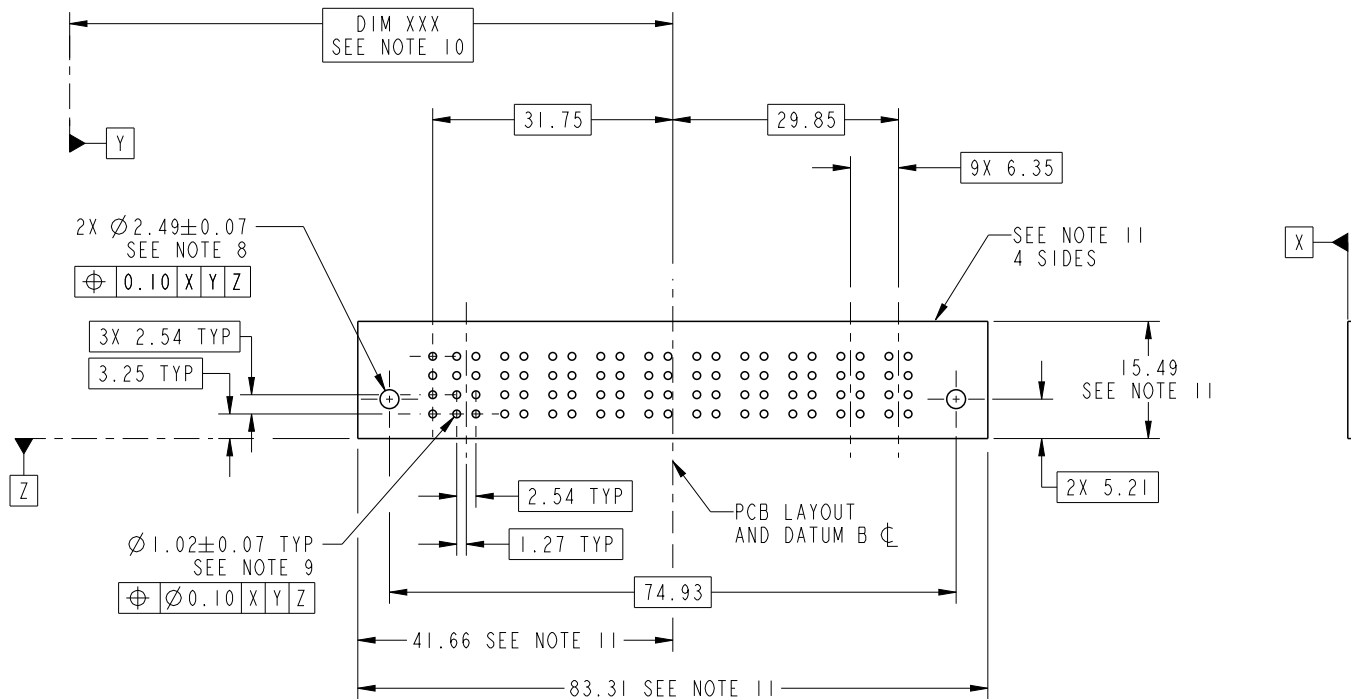
dr	Guang, Shi	2011/09/02	projection 	MM 	size	A4	scale	1:1
eng	Guang, Shi	2011/09/06			ecn no	-		
chr	-	-			rel level	Released		
appr	Pei-Ming Zheng	2011/09/08	product family	PwrBlade	rev	A		
	title	IOP+4S VERTICAL STB RECEIPT		dwg no	51940-402			
www.fci.com	cat. no.	Product - Customer Drw			sheet 2 of 4			



Copyright FCI.

PRODUCT NUMBER

51940-402__
NOTE: 3



RECOMMENDED PCB LAYOUT

dr	Guang, Shi	2011/09/02	projection 	MM 	size	A4	scale	1:1
eng	Guang, Shi	2011/09/06			ecn no	-		
chr	-	-			rel level	Released		
appr	Pei-Ming Zheng	2011/09/08	product family	PwrBlade	rev	A		
	title	IOP+4S VERTICAL STB RECEIPT		dwg no	51940-402			
www.fci.com	cat. no.	Product - Customer Drw			sheet 3 of 4			

PRODUCT NUMBER

51940-402__
NOTE: 3

NOTES:

1. DIMENSIONS AND TOLERANCES ARE IN ACCORDANCE WITH ASME Y14.5M, 1994 UNLESS OTHERWISE SPECIFIED.

CONNECTOR NOTES:

- 2 HOUSING MATERIAL: UL 94 V-0 GLASS FILLED HIGH-TEMP THERMOPLASTIC
POWER CONTACT MATERIAL: COPPER ALLOY
SIGNAL PIN MATERIAL: COPPER ALLOY
- 3. SEE ITEM 5 & 6 IN PRINT 10064183 FOR PLATING SPEC OF 51940-402 AND 51940-402LF RESPECTIVELY.

4 MANUFACTURER'S NAME, DATE CODE AND OPTIONAL P/N TO APPEAR ON THIS SURFACE. THE P/N CAN BE OMITTED IF THERE IS NOT ENOUGH SPACE ON THIS SURFACE.

5. PRODUCT SPECIFICATION GS-12-149.
APPLICATION SPECIFICATION BUS-20-067.

6. PACKAGED IN TRAYS.

PCB NOTES:

7. ALL HOLE DIAMETERS ARE FINISHED HOLE SIZE.

8 MOUNTING HOLES, WHERE APPLICABLE, ARE UNPLATED.

9 $\varnothing 1.151 \pm 0.025$ DRILLED HOLES PLATED WITH
0.008 MIN SnPb OR Sn OVER 0.03
TO 0.08 Cu PLATING TO ACHIEVE
 $\varnothing 1.02 \pm 0.07$ HOLE.

10 "DIM XXX" TO BE DETERMINED BY THE CUSTOMER.

11 CONNECTOR KEEP-OUT ZONE.

12. THE VOID CORING IN BETWEEN POWER MODULES, SIGNAL MODULES AND END MODULES ARE OPTIONAL AND THE SHAPE MAY BE DIFFERENT FOR OPTIMIZE THE MOLDING PROCESS. THE VOID CORING WILL NOT EFFECT TO PRODUCT FUNCTION.

dr	Guang, Shi	2011/09/02	projection 	MM 	size	A4	scale	1:1	
eng	Guang, Shi	2011/09/06			ecn no	-			
chr	-	-			product family	PwrBlade	rel level	Released	
appr	Pei-Ming Zheng	2011/09/08			title	IOP+4S		rev	A
www.fci.com		cat. no.	Product - Customer Drw			dwg no	51940-402		sheet 4 of 4



Copyright FCI.