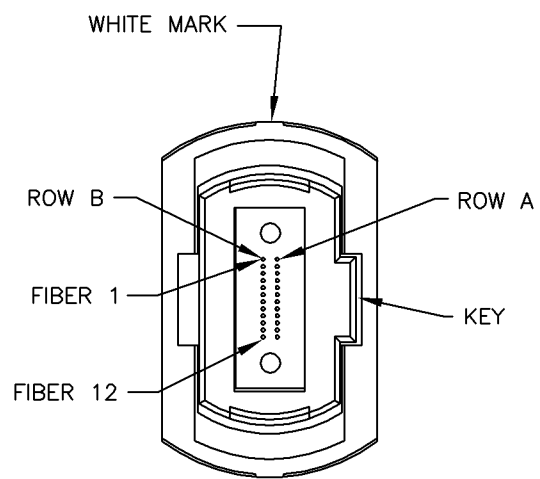
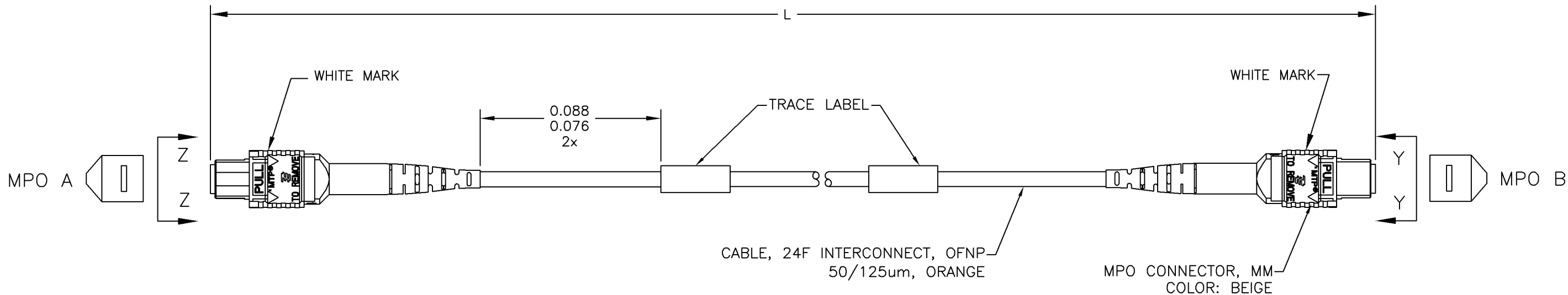


THIS DRAWING IS UNPUBLISHED. RELEASED FOR PUBLICATION
 © COPYRIGHT - By - ALL RIGHTS RESERVED.

| LDC | | DIST | | REVISIONS | | | |
|-----|-----|---------------|--|-----------|-----|------|--|
| P | LTR | DESCRIPTION | | DATE | DWN | APVD | |
| A2 | | ECR-11-017572 | | 24AUG2011 | SBY | RZ | |

1. MAXIMUM CONNECTOR INSERTION LOSS AT 850nm.

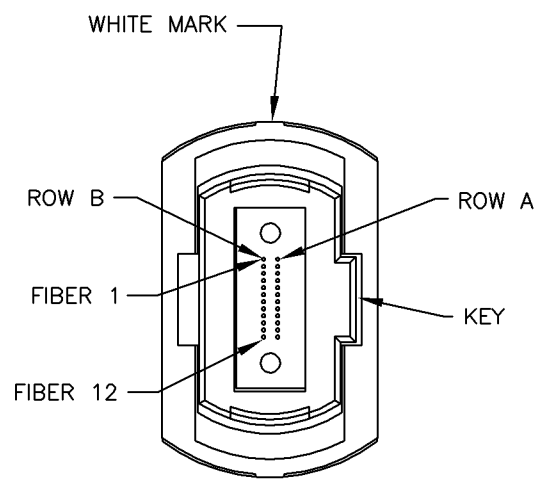
2. PRODUCT AND PROCESSING MUST MEET REQUIREMENTS OF TEC-138-702.



VIEW Z-Z
NOT TO SCALE

| MPO A ROW | FIBER | FIBER COLOR | MPO B ROW | FIBER |
|-----------|-------|-------------|-----------|-------|
| A | 1 | BLUE | B | 1 |
| A | 2 | ORANGE | B | 2 |
| A | 3 | GREEN | B | 3 |
| A | 4 | BROWN | B | 4 |
| A | 5 | SLATE | B | 5 |
| A | 6 | WHITE | B | 6 |
| A | 7 | RED | B | 7 |
| A | 8 | BLACK | B | 8 |
| A | 9 | YELLOW | B | 9 |
| A | 10 | VIOLET | B | 10 |
| A | 11 | ROSE | B | 11 |
| A | 12 | AQUA | B | 12 |
| B | 1 | BLUE | A | 1 |
| B | 2 | ORANGE | A | 2 |
| B | 3 | GREEN | A | 3 |
| B | 4 | BROWN | A | 4 |
| B | 5 | SLATE | A | 5 |
| B | 6 | WHITE | A | 6 |
| B | 7 | RED | A | 7 |
| B | 8 | BLACK | A | 8 |
| B | 9 | YELLOW | A | 9 |
| B | 10 | VIOLET | A | 10 |
| B | 11 | ROSE | A | 11 |
| B | 12 | AQUA | A | 12 |

CONNECTOR FIBER PATH



VIEW Y-Y
NOT TO SCALE

| | | | | | |
|--|--|------------------|-----------|------------------|-----------------|
| THIS DRAWING IS A CONTROLLED DOCUMENT. | | DWN | 05JAN2011 | | TE Connectivity |
| | | DAVIS WANG | | | |
| | | CHK | 05JAN2011 | | |
| | | JAMES ZHOU | | | |
| | | APVD | 05JAN2011 | | |
| | | RICHARD ZHAO | | | |
| | | PRODUCT SPEC | | | |
| | | APPLICATION SPEC | | | |
| | | WEIGHT | | SIZE | CAGE CODE |
| | | | | A2 | 00779 |
| | | FINISH | | DRAWING NO | RESTRICTED TO |
| | | | | C=2148039 | |
| | | | | CUSTOMER DRAWING | SCALE |
| | | | | | NTS |
| | | | | SHEET | 1 of 2 |
| | | | | REV | A2 |



THIS DRAWING IS UNPUBLISHED. RELEASED FOR PUBLICATION
 © COPYRIGHT - By - ALL RIGHTS RESERVED.

| LOC | DIST | REVISIONS | | | | | |
|-----|------|-----------|-----|-------------|------|-----|------|
| | | P | LTR | DESCRIPTION | DATE | DWN | APVD |
| HG | - | - | - | SEE SHEET 1 | - | - | - |

| PART NUMBER | L | | MPO MAX IL (dB) Δ |
|-------------|---------|--------|-----------------------------|
| | MAX | MIN | |
| 2148039-1 | 1.050 | 0.950 | 0.70 |
| 2148039-2 | 2.050 | 1.950 | 0.71 |
| 2148039-3 | 3.050 | 2.950 | 0.71 |
| 2148039-4 | 4.080 | 3.920 | 0.71 |
| 2148039-5 | 5.080 | 4.920 | 0.72 |
| 2148039-6 | 6.080 | 5.920 | 0.72 |
| 2148039-7 | 7.080 | 6.920 | 0.72 |
| 2148039-8 | 8.080 | 7.920 | 0.73 |
| 2148039-9 | 9.150 | 8.850 | 0.73 |
| 1-2148039-0 | 10.150 | 9.850 | 0.74 |
| 1-2148039-1 | 11.150 | 10.850 | 0.74 |
| 1-2148039-2 | 12.150 | 11.850 | 0.74 |
| 1-2148039-3 | 13.150 | 12.850 | 0.75 |
| 1-2148039-4 | 14.150 | 13.850 | 0.75 |
| 1-2148039-5 | 15.150 | 14.850 | 0.75 |
| 1-2148039-6 | 16.160 | 15.840 | 0.76 |
| 1-2148039-7 | 17.170 | 16.830 | 0.76 |
| 1-2148039-8 | 18.180 | 17.820 | 0.76 |
| 1-2148039-9 | 19.190 | 18.810 | 0.77 |
| 2-2148039-0 | 20.200 | 19.800 | 0.77 |
| 2-2148039-1 | 21.210 | 20.790 | 0.77 |
| 2-2148039-2 | 22.220 | 21.780 | 0.78 |
| 2-2148039-3 | 23.230 | 22.770 | 0.78 |
| 2-2148039-4 | 24.240 | 23.760 | 0.78 |
| 2-2148039-5 | 25.250 | 24.750 | 0.79 |
| 2-2148039-6 | 26.260 | 25.740 | 0.79 |
| 2-2148039-7 | 27.270 | 26.730 | 0.79 |
| 2-2148039-8 | 28.280 | 27.720 | 0.80 |
| 2-2148039-9 | 29.290 | 28.710 | 0.80 |
| 3-2148039-0 | 30.300 | 29.700 | 0.81 |
| 3-2148039-1 | 31.310 | 30.690 | 0.81 |
| 3-2148039-2 | 32.320 | 31.680 | 0.81 |
| 3-2148039-3 | 33.330 | 32.670 | 0.82 |
| 3-2148039-4 | 34.340 | 33.660 | 0.82 |
| 3-2148039-5 | 35.350 | 34.650 | 0.82 |
| 3-2148039-6 | 36.360 | 35.640 | 0.83 |
| 3-2148039-7 | 37.370 | 36.630 | 0.83 |
| 3-2148039-8 | 38.380 | 37.620 | 0.83 |
| 3-2148039-9 | 39.390 | 38.610 | 0.84 |
| 4-2148039-0 | 40.400 | 39.600 | 0.84 |
| 4-2148039-1 | 41.410 | 40.590 | 0.84 |
| 4-2148039-2 | 42.420 | 41.580 | 0.85 |
| 4-2148039-3 | 43.430 | 42.570 | 0.85 |
| 4-2148039-4 | 44.440 | 43.560 | 0.85 |
| 4-2148039-5 | 45.450 | 44.550 | 0.86 |
| 4-2148039-6 | 46.460 | 45.540 | 0.86 |
| 4-2148039-7 | 47.470 | 46.530 | 0.86 |
| 4-2148039-8 | 48.480 | 47.520 | 0.87 |
| 4-2148039-9 | 49.490 | 48.510 | 0.87 |
| 5-2148039-0 | 50.500 | 49.500 | 0.88 |
| 5-2148039-5 | 55.550 | 54.450 | 0.89 |
| 6-2148039-0 | 60.600 | 59.400 | 0.91 |
| 6-2148039-5 | 65.650 | 64.350 | 0.93 |
| 7-2148039-0 | 70.700 | 69.300 | 0.95 |
| 7-2148039-5 | 75.750 | 74.250 | 0.96 |
| 8-2148039-0 | 80.800 | 79.200 | 0.98 |
| 8-2148039-5 | 86.000 | 84.000 | 1.00 |
| 9-2148039-0 | 91.350 | 88.650 | 1.02 |
| 9-2148039-5 | 96.425 | 95.575 | 1.03 |
| 9-2148039-9 | 101.500 | 98.500 | 1.05 |

D
C
B
A

2148039

| | | | | | |
|---|--|-----------------------------------|---|--------------------|-------------------------|
| THIS DRAWING IS A CONTROLLED DOCUMENT. | | DWN DAVIS WANG 05JAN2011 |  TE Connectivity | | |
| DIMENSIONS: METERS | | CHK JAMES ZHOU 05JAN2011 | | | |
| TOLERANCES UNLESS OTHERWISE SPECIFIED: | | APVD RICHARD ZHAO 05JAN2011 | NAME CABLE ASSEMBLY, FIBER OPTIC, CXP, 50/125um 24 FIBER, INTERCONNECT CABLE MPO, NO PINS, BOTH ENDS | | |
|  | | PRODUCT SPEC - | RESTRICTED TO | | |
| MATERIAL | | APPLICATION SPEC - | SIZE A2 | CAGE CODE 00779 | DRAWING NO C=2148039 |
| FINISH | | WEIGHT - | SCALE NTS | SHEET 2 of 2 | REV A2 |
| CUSTOMER DRAWING | | | | | |