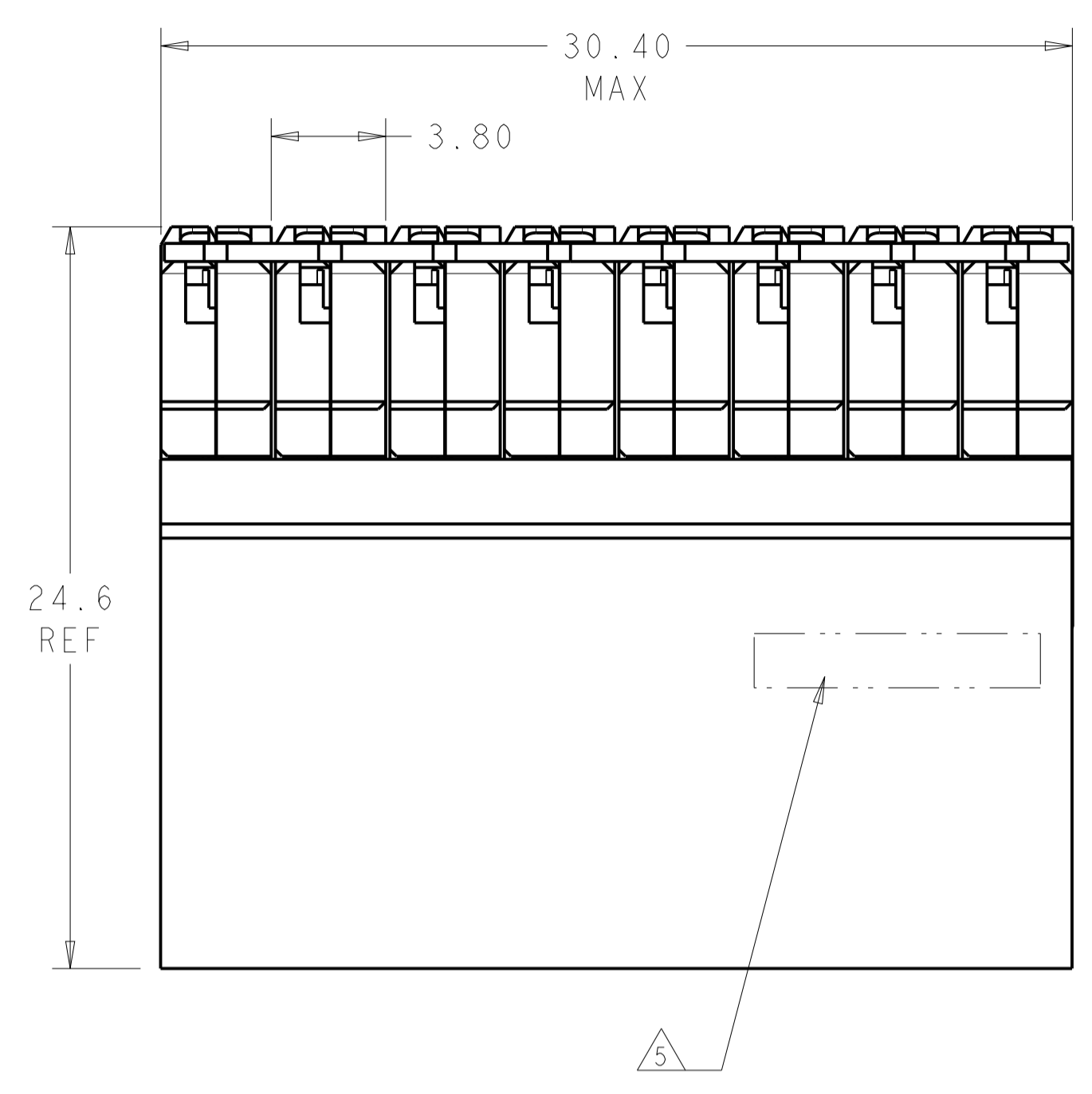
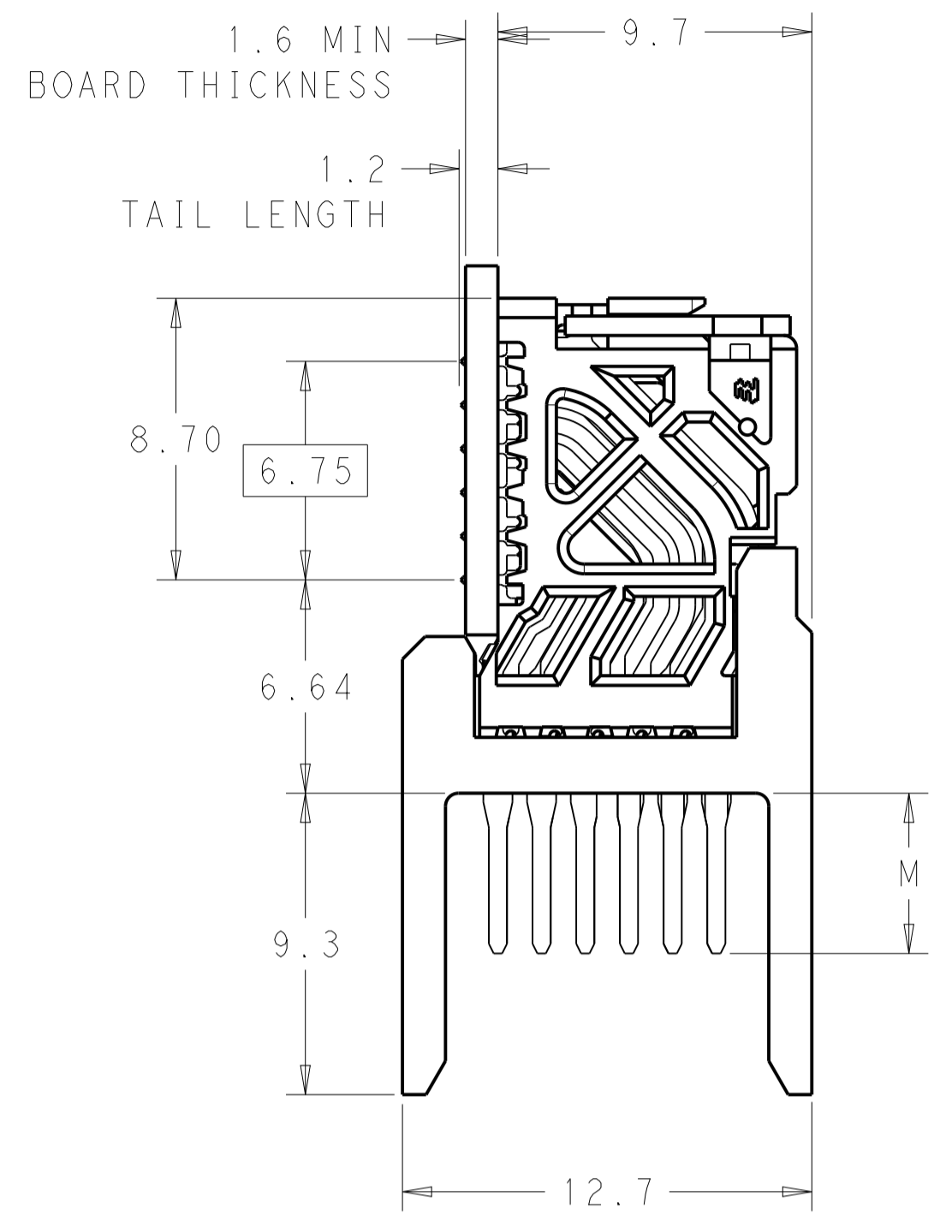
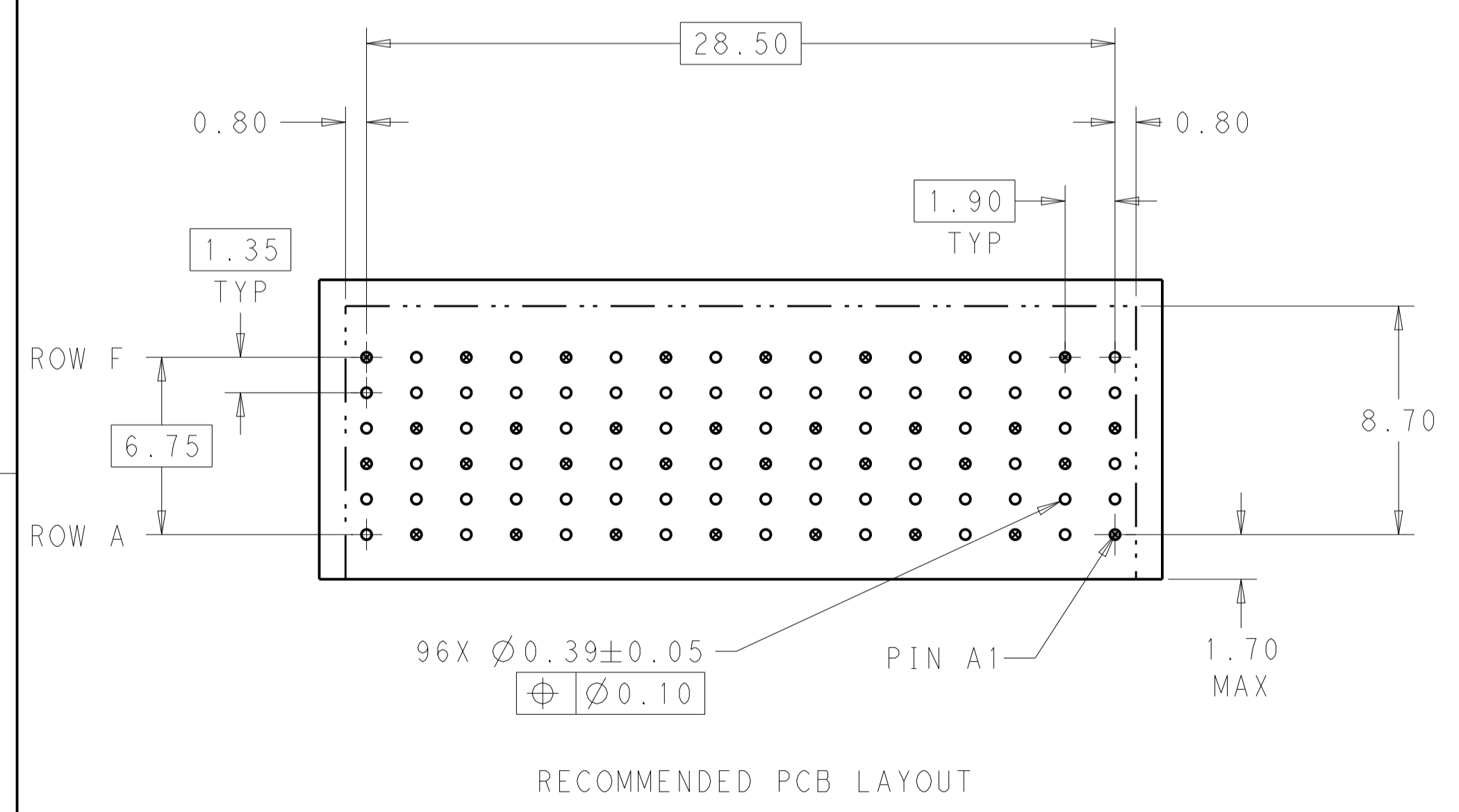
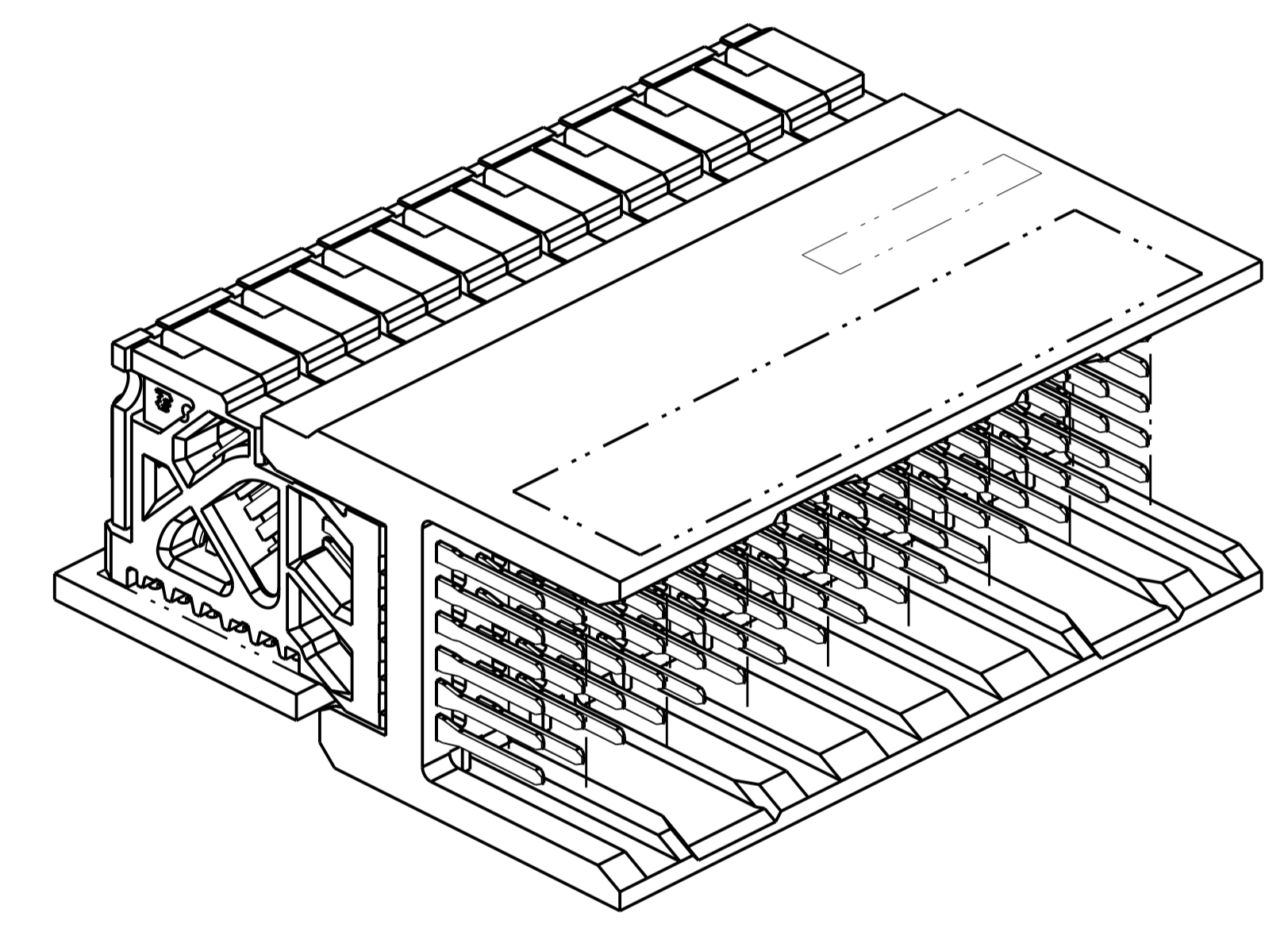
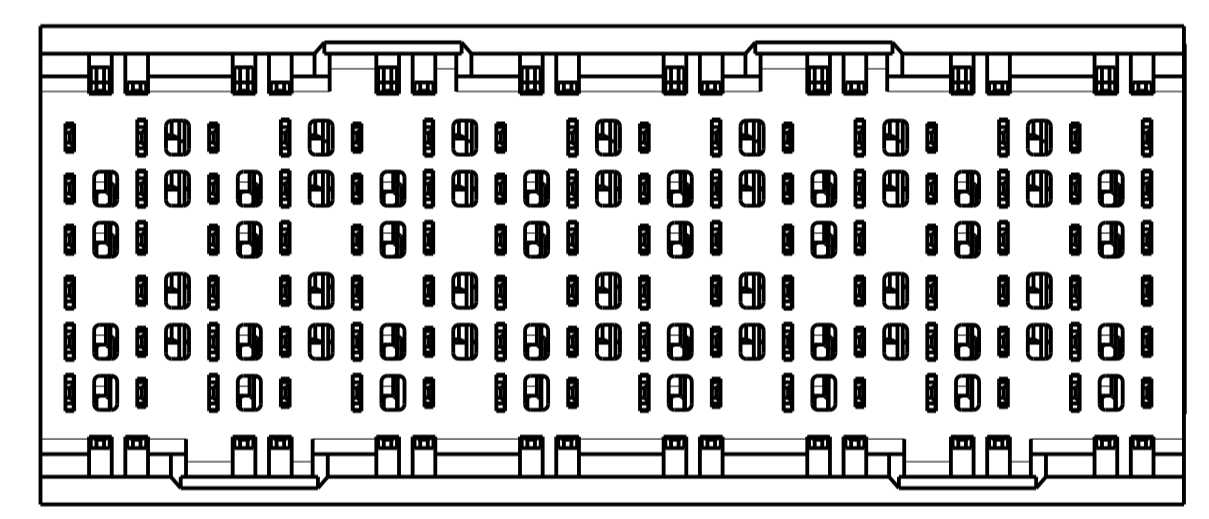


LOC		DIST		REVISIONS			
AD	00	REV	DATE	DWN	APVD	BY	DATE
C			21APR2014	AP	DD		



- 1 MATERIAL:
 HOUSING: LCP, GLASS FILLED, UL94V-0.
 TERMINALS: HIGH PERFORMANCE COPPER ALLOY.
- 2 FINISH:
 30µm SELECTIVE GOLD IN CONTACT AREA. SELECTIVE TIN ON PCB TAILS, NICKEL OVERALL.
- 3 FINISH:
 30µm SELECTIVE GOLD IN CONTACT AREA. SELECTIVE TIN-LEAD ON PCB TAILS, NICKEL OVERALL.
- 4 UNGUIDED RIGHT ANGLE MALE MATES TO UNGUIDED RIGHT ANGLE RECEPTACLE.
- 5 TE LOGO LOCATED IN APPROXIMATE LOCATION.



THIS DRAWING IS A CONTROLLED DOCUMENT.		DWN	07APR2011		TE Connectivity
DIMENSIONS:		CHK	07APR2011		
mm	TOLERANCES UNLESS OTHERWISE SPECIFIED:	APVD	07APR2011	NAME	
	0 PLC ±	EARY		IMPACT, STD, RAM, 2 PAIR, 16 COLUMN, UNGUIDED OPEN END WALL SIGNAL MODULE, 0.39 EYELET	
	1 PLC ±0.25	EARY		PRODUCT SPEC	
	2 PLC ±0.13			APPLICATION SPEC	
	3 PLC ±			SIZE	
	4 PLC ±			CAGE CODE	
	ANGLES ±			DRAWING NO	
MATERIAL	FINISH	WEIGHT		RESTRICTED TO	
	SEE TABLE			A100779C=2143309	
CUSTOMER DRAWING		SCALE	5:1	SHEET	1 OF 2
		REV		C	

