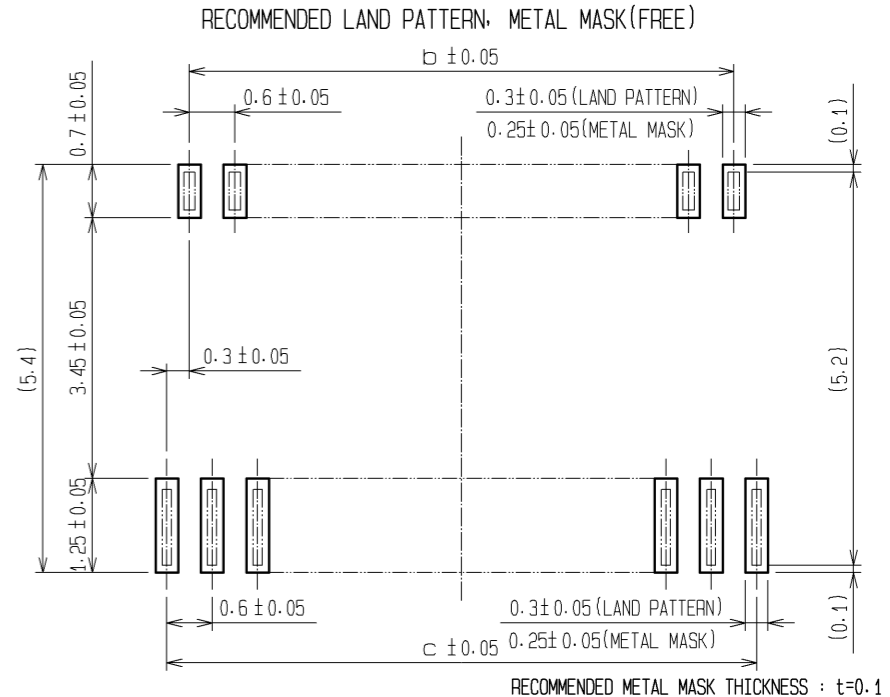


- NOTE
- ① DIMENSIONS FROM REFERENCE SURFACE C (BOTTOM SURFACE OF HOUSING).
 - ② LEAD CO-PLANARITY SHALL BE 0.1 MAX.
 - ③ LENGTH AFTER FPC IS INSERTED.
 - ④ $0.3 \begin{smallmatrix} +0.04 \\ -0.03 \end{smallmatrix}$ CAN BE APPLIED WITH LEAD PLATED.
 - ⑤ PREVENTIVE HOLES FOR SINK MARK ARE APPLIED TO POSITIONS OF 33 OR LARGER.
 - ⑥ NOTE THAT PREVENTIVE HOLE FOR SINK MARK COULD BE ADDED FOR IMPROVEMENT. THE QUALITY REMAINS GOOD, EVEN WITH THE DARK SPOTS, WHICH COULD OCCASIONALLY OCCUR ON MOLDED PLASTIC.



DIMENSION MATRIX

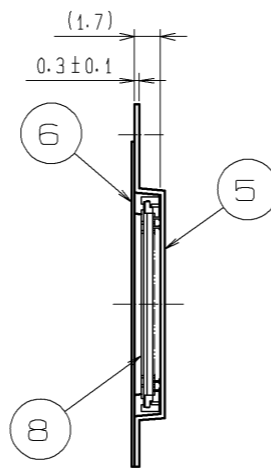
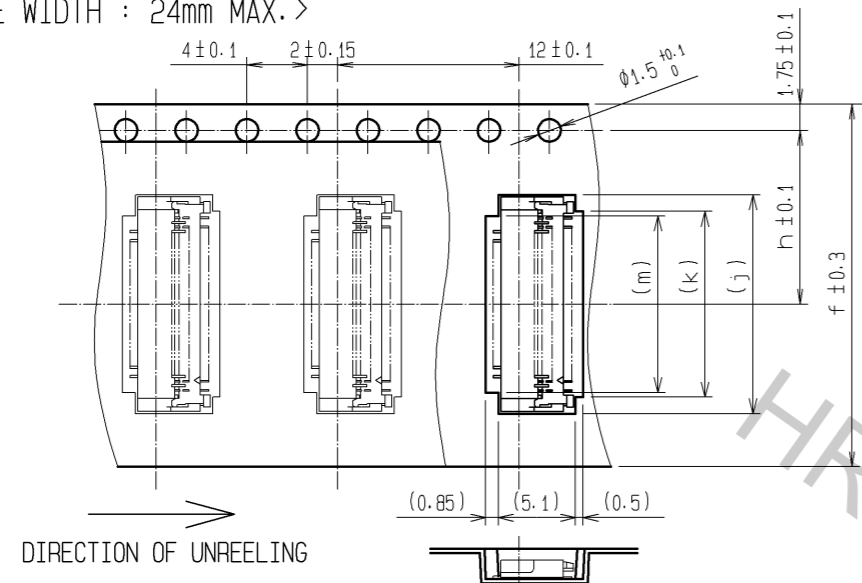
PART NO.	CODE NO.	NO. OF CONTACT	a	b	c	d	e
FH23-15S-0.3SHW(10)	CL586-1317-0-10	15	7	3.6	4.2	4.83	4.8
FH23-17S-0.3SHW(10)	CL586-1300-7-10	17	7.6	4.2	4.8	5.43	5.4
FH23-21S-0.3SHW(10)	CL586-1314-1-10	21	8.8	5.4	6	6.63	6.6
FH23-23S-0.3SHW(10)	CL586-1324-5-10	23	9.4	6	6.6	7.23	7.2
FH23-25S-0.3SHW(10)	CL586-1322-0-10	25	10	6.6	7.2	7.83	7.8
FH23-27S-0.3SHW(10)	CL586-1308-9-10	27	10.6	7.2	7.8	8.43	8.4
FH23-31S-0.3SHW(10)	CL586-1302-2-10	31	11.8	8.4	9	9.63	9.6
FH23-33S-0.3SHW(10)	CL586-1304-8-10	33	12.4	9	9.6	10.23	10.2
FH23-37S-0.3SHW(10)	CL586-1335-1-10	37	13.6	10.2	10.8	11.43	11.4
FH23-39S-0.3SHW(10)	CL586-1306-3-10	39	14.2	10.8	11.4	12.03	12
FH23-45S-0.3SHW(10)	CL586-1318-2-10	45	16	12.6	13.2	13.83	13.8
FH23-51S-0.3SHW(10)	CL586-1312-6-10	51	17.8	14.4	15	15.63	15.6
FH23-61S-0.3SHW(10)	CL586-1310-0-10	61	20.8	17.4	18	18.63	18.6
FH23-71S-0.3SHW(10)	CL586-1320-4-10	71	23.8	20.4	21	21.63	21.6

④	PHOSPHOR BROZE	(CONTACT AREA- LEAD) GOLD 0.05μm MIN OVER NICKEL 1μm MIN. (OTHER) NICKEL PLATING 1μm MIN.	8	(CONNECTOR)	
③	PHOSPHOR BROZE	(CONTACT AREA- LEAD) GOLD 0.05μm MIN OVER NICKEL 1μm MIN. (OTHER) NICKEL PLATING 1μm MIN.	7	POLYSTYRENE	
②	LCP	BLACK UL94V-0	6	POLYESTER	
①	LCP	BEIGE UL94V-0	5	POLYSTYRENE	
NO.	MATERIAL	FINISH . REMARKS	NO.	MATERIAL	FINISH . REMARKS

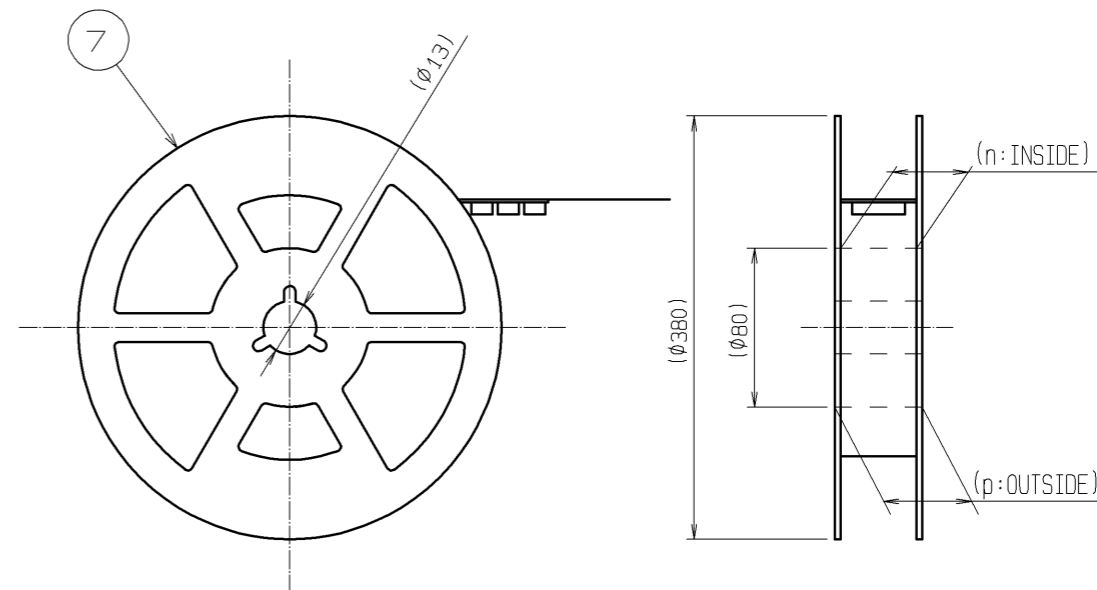
UNITS	SCALE	COUNT	DESCRIPTION OF REVISIONS	DESIGNED	CHECKED	DATE
mm	10:1	12	DIS-F-005191	SG. CHAMURA	FN. TAMURA	10.12.02
APPROVED : MO. ISHIDA			05.01.05	DRAWING NO. EDC3-153547-04		
CHECKED : SS. WATANABE			05.01.05	PART NO. FH23-*S-0.3SHW(10)		
DESIGNED : TO. SHIBUYA			05.01.05	CODE NO.		
DRAWN : TO. SHIBUYA			05.01.05	①/②		

EMBOSSED CARRIER TAPE DIMENSION(2:1)

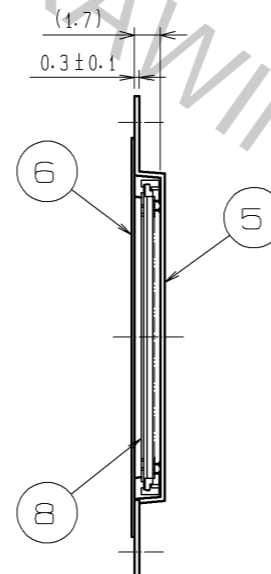
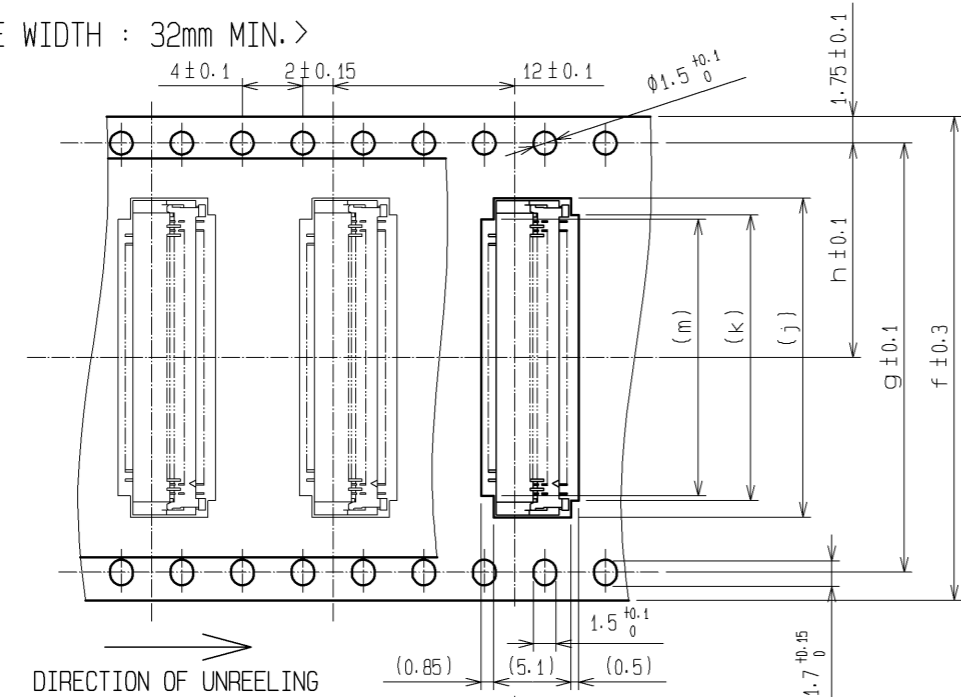
<TAPE WIDTH : 24mm MAX.>



REEL DIMENSION(FREE)



<TAPE WIDTH : 32mm MIN.>

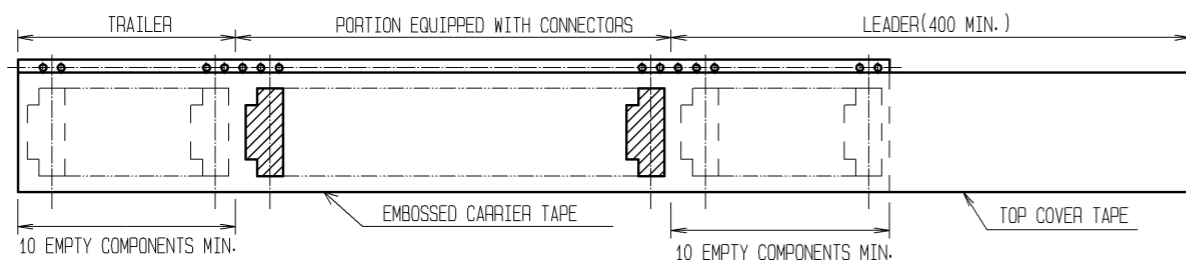


NOTES 7 THE DIMENSIONS IN PARENTHESES ARE FOR REFERENCE.
 8 PER REEL : 2500 CONNECTORS.
 9 REFER TO JIS C 0806 (PACKAGING OF COMPONENTS FOR AUTOMATIC HANDLING.)

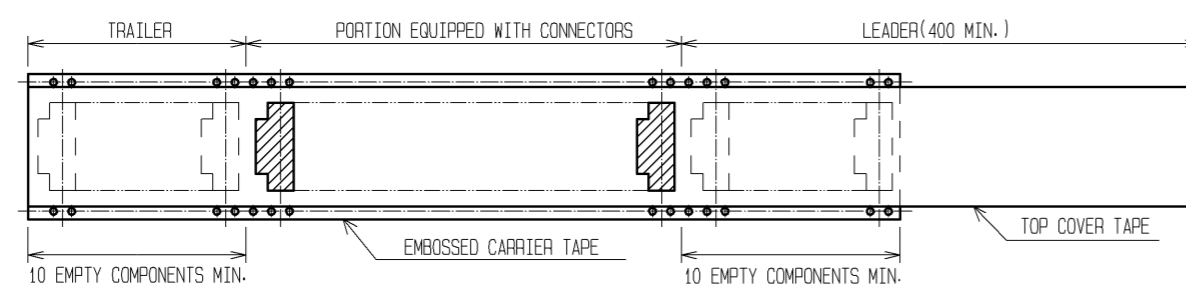
DIMENSION MATRIX

PART NO.	CODE NO.	NO. OF CONTACT	f	g	h	j	k	m	n	p
FH23-15S-0.3SHW(10)	CL586-1317-0-10	15	16		7.5	7.3	5.1	4.5	17.4	21.4
FH23-17S-0.3SHW(10)	CL586-1300-7-10	17	16		7.5	7.9	5.7	5.1	17.4	21.4
FH23-21S-0.3SHW(10)	CL586-1314-1-10	21	16		7.5	9.1	6.9	6.3	17.4	21.4
FH23-23S-0.3SHW(10)	CL586-1324-5-10	23	24		11.5	9.7	7.5	6.9	25.4	29.4
FH23-25S-0.3SHW(10)	CL586-1322-0-10	25	24		11.5	10.3	8.1	7.5	25.4	29.4
FH23-27S-0.3SHW(10)	CL586-1308-9-10	27	24		11.5	10.9	8.7	8.1	25.4	29.4
FH23-31S-0.3SHW(10)	CL586-1302-2-10	31	24		11.5	12.1	9.9	9.3	25.4	29.4
FH23-33S-0.3SHW(10)	CL586-1304-8-10	33	24		11.5	12.7	10.5	9.9	25.4	29.4
FH23-37S-0.3SHW(10)	CL586-1335-1-10	37	24		11.5	13.9	11.7	11.1	25.4	29.4
FH23-39S-0.3SHW(10)	CL586-1306-3-10	39	24		11.5	14.5	12.3	11.7	25.4	29.4
FH23-45S-0.3SHW(10)	CL586-1318-2-10	45	24		11.5	16.3	14.1	13.5	25.4	29.4
FH23-51S-0.3SHW(10)	CL586-1312-6-10	51	32	28.4	14.2	18.1	15.9	15.3	33.4	37.4
FH23-61S-0.3SHW(10)	CL586-1310-0-10	61	32	28.4	14.2	21.1	18.9	18.3	33.4	37.4
FH23-71S-0.3SHW(10)	CL586-1320-4-10	71	44	40.4	20.2	24.1	21.9	21.3	45.4	49.4

<TAPE WIDTH : 24mm MAX.>



<TAPE WIDTH : 32mm MIN.>



HRS DRAWING NO. EDC3-153547-04
 PART NO. FH23-*S-0.3SHW(10)
 CODE NO. 2/2

Apr.1.2017 Copyright 2017 HIROSE ELECTRIC CO., LTD. All Rights Reserved.