

Technical specification:

Rated voltage: IEC 61076-2-104	3pos 60 V
Current rating: IEC 61076-2-104	3 A at 40°C
Insulation resistance: IEC 60512	≥ 100 M Ω
Pollution degree: IEC 60664-1	3/2
Degree of protection: IEC 60529	IP 67, in mated condition
Temperature range: IEC 60664-1	-30°C ... +80°C
Mating cycles: IEC 60512-9a	≥ 100

Materials:

Contact:	CuZn
Contact plating:	Nickel, gold plated
Contact carrier:	TPU GF, UL 94
Sealing:	FPM
Coupling nut/ screw:	GD-Zn, nickel plated
Moulding body:	TPU, UL 94, grey

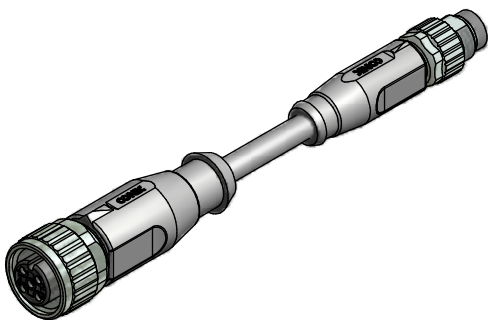
Installation specification:

Recommended torque M12x1:	0,6 Nm
Recommended torque M8x1:	0,4 Nm

Conec installation tool: Torque wrench: 36-000200
 Insert across flats 13: 36-000220
 Insert across flats 9: 36-000210

Contact assignment:

- 1) brown
- 3) blue
- 4) black



Part no:	Description:	Length L:	Cable:
43-11430	SAL - 12 - RK3 - 8 - RS3 - 0,3 / A1	0,3m	PVC, grey, 3x0,25mm ² Cable: 781-A12300
43-11431	SAL - 12 - RK3 - 8 - RS3 - 0,6 / A1	0,6m	
43-11432	SAL - 12 - RK3 - 8 - RS3 - 1,5 / A1	1,5m	
43-11433	SAL - 12 - RK3 - 8 - RS3 - 3 / A1	3m	
43-xxxxx	SAL - 12 - RK3 - 8 - RS3 - ... / A1	x	

D see data sheet cable

DO NOT ALTER CAD DRAWING BY HAND	Directive 2002/95/EC RoHS compliant	Index: a 08.02.11 VF Ä3767 Coupling nut/ screw modified, spanner flats added, data sheet modified	dim. in mm	title: Connecting cable M12x1/ M8x1, female connector axial - male connector axial			
		tolerance of cable: L \leq 4m: L + 40mm L > 4m: L + 1%			date	name	
		THIS DRAWING MAY NOT BE COPIED OR REPRODUCED IN ANY WAY, AND MAY NOT BE PASSED ON TO A THIRD PARTY WITHOUT WRITTEN PERMISSION. OWNERSHIP AND COPYRIGHT OF CONEC GmbH			drawn	19.12.07	Franz
					appd.	19.12.07	Mankopf
			dwg no: 43K1A582				
			part no: see table				